

[DNC]

※SPECIFICATION

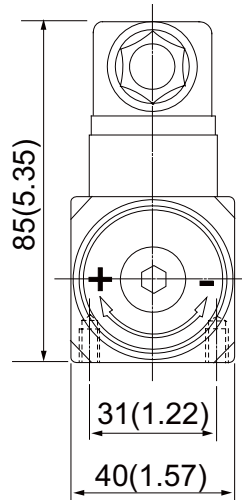
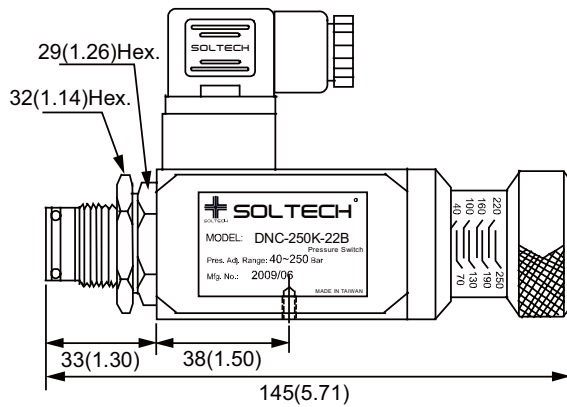
MODEL	PRES. ADJ. RANGE (Bar)	SURGE PRES. (Bar)	WEIGHT (Kg)
DNC-40K	6~40	150	1.0
DNC-100K	15~100	250	
DNC-250K	40~250	300	
DNC-360K	50~360	400	

※MODEL NUMBER DESIGNATION

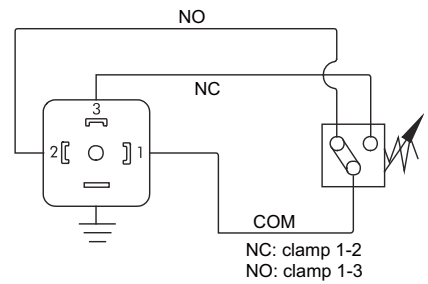
DNC	40K	22B
Series No. Cartridge Mounting Direct Read-Out Type	Pres. Adj. Range (Bar) 40K: 6~40 100K: 15~100 250K: 40~250 360K: 50~360	Design No: 22B: 1/4" PT 22B80: 1/4" PF(G) 22B90: 1/4" NPT



※DIMENSION



※GRAPHIC SYMBOL

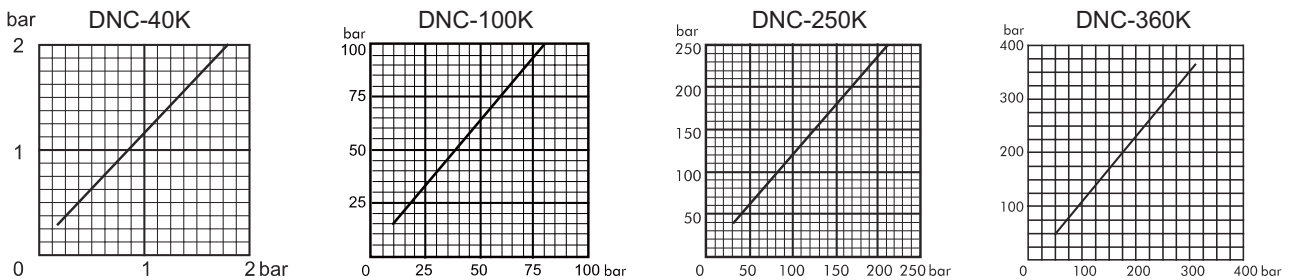


Breaking Capacity	Voltage Up To	Resistance Load
A.C.	125/250 V	5 A
D.C.	30 V	5 A
	125 V	0.15 A

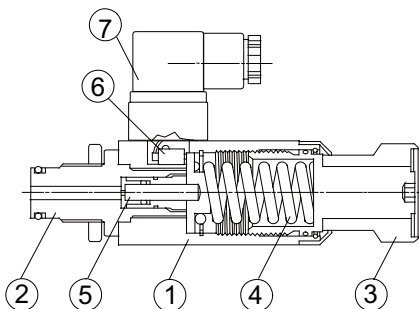
Life Time: 100,000 Times

※PERFORMANCE CURVE

UNIT: M.M.(INCH)



※SCHEMATIC CROSS-SECTION



1	Body(Casting Iron)	5	Servo Piston
2	Connecting Port	6	Micro-Switch
3	Pressure Adj. Knob	7	Wiring Connector
4	Spring		

※CAVITY

