

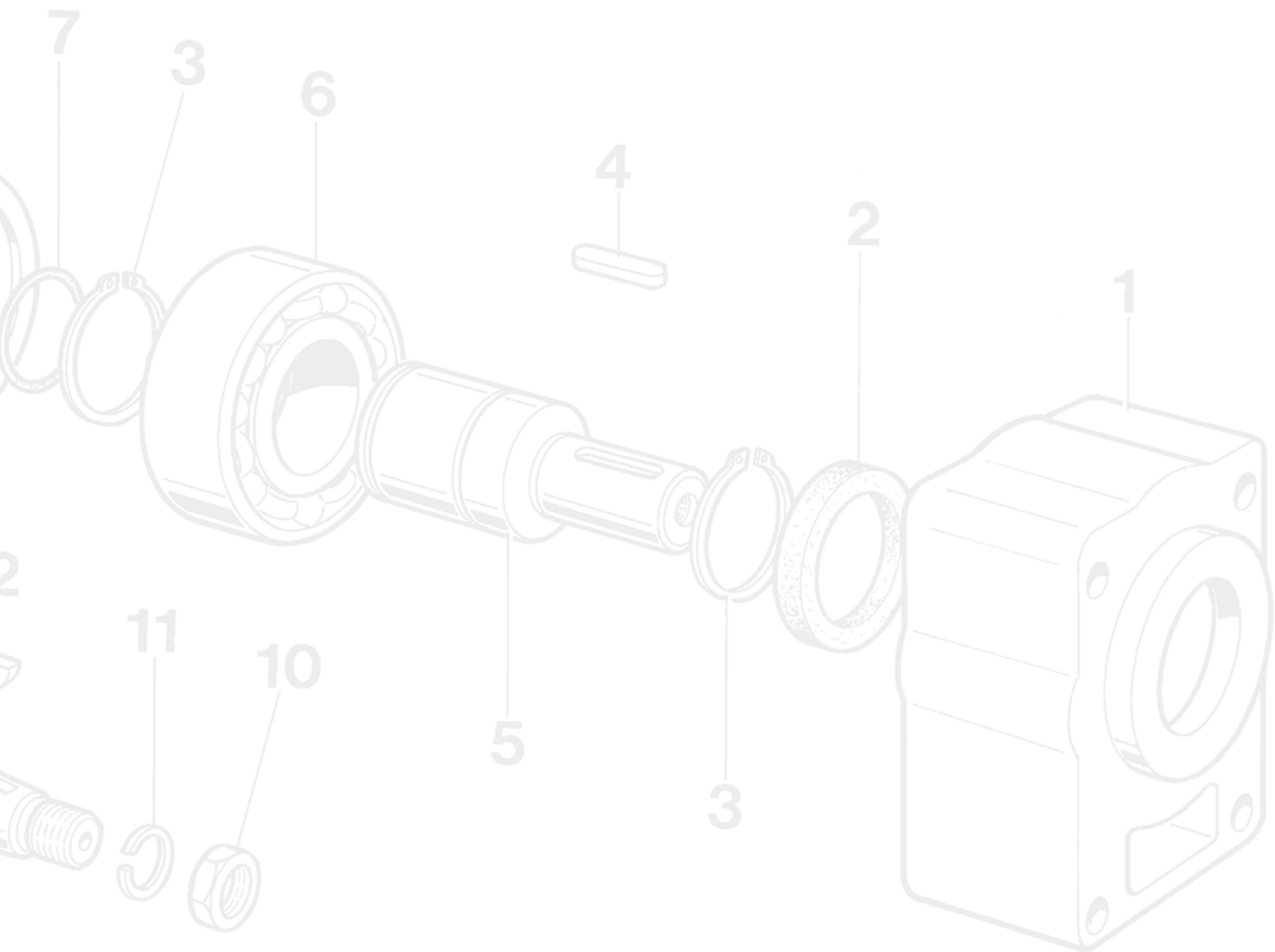




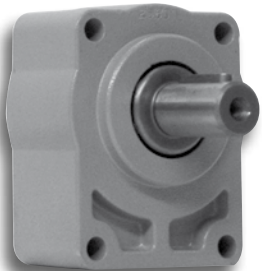
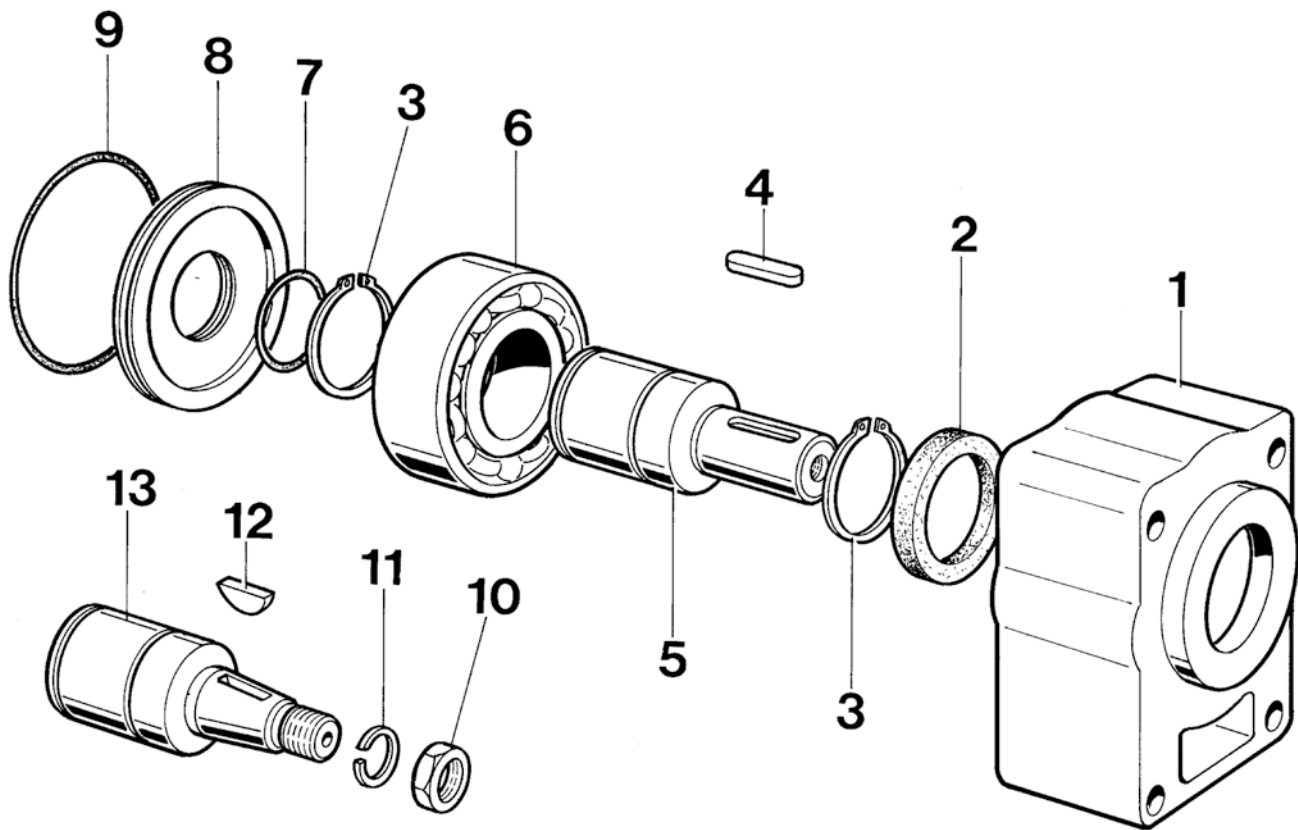
*Designed for independent drives of hydraulic pumps via chain belts with high radial loads. They are directly flanged on to the pump via splined half-coupling. Their life is 3500 hours at 1500 R.P.M.*

**Lubrication:**

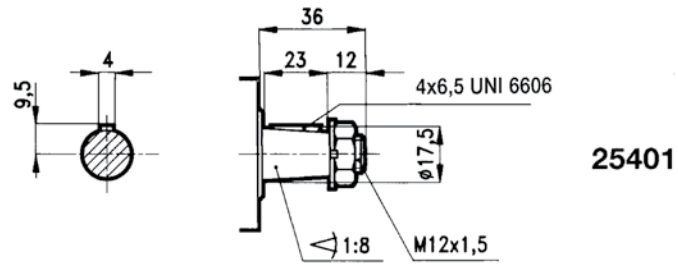
*Grease according to DIN 51502 standards = MPF 1K-20.*



SERIE: 25401/25601

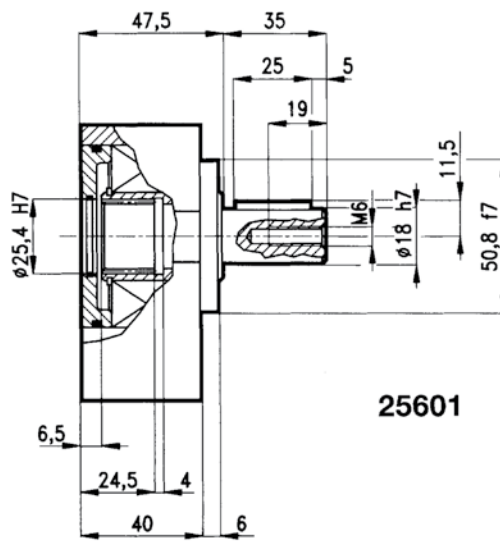
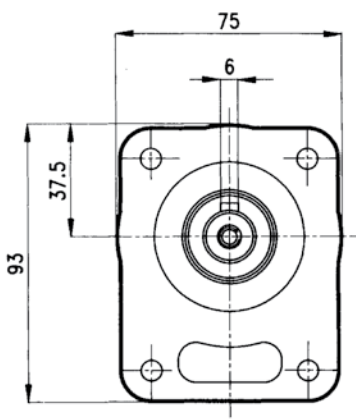


| Pos. | CODICE  | DENOMINAZIONE               | DENOMINATION               | DESCRIPTION             | BEZEICHNUNG              | Q.TA' |
|------|---------|-----------------------------|----------------------------|-------------------------|--------------------------|-------|
| 1    | 25001.1 | Scatola                     | Carcasse                   | Housing                 | Gehäuse                  | 1     |
| 2    | 303040  | Anello di tenuta 30x40x7    | Bague d'étanchéité 30x40x7 | Sealing Ring 30x40x7    | Dichtring 30x40x7        | 1     |
| 3    | 903000  | Anello seeger UNI 7435 - 30 | Circlip UNI 7435 - 30      | Snap ring UNI 7435 - 30 | Seegerring UNI 7435 - 30 | 2     |
| 4    | 426625  | Chiavetta 6x6x25 UNI 6604   | Clavette 6x6x25 UNI 6604   | Key 6x6x25 UNI 6604     | Keil 6x6x25 UNI 6604     | 1     |
| 5    | AC18.1  | Albero D=18                 | Arbre d=18                 | Female d=18             | Antriebsw d=18           | 1     |
| 6    | 503206  | Cuscinetto 3206A            | Palier 3206A               | Bearing 3206A           | Kugellager 3206A         | 1     |
| 7    | 402100  | Anello OR 2100              | Bague torique 2100         | O-Ring 2100             | O-Ring 2100              | 1     |
| 8    | COP062  | Anello d=62                 | Bague d=62                 | Ring d=62               | Ring d=62                | 1     |
| 9    | 403225  | Anello OR 3225              | Bague torique OR3225       | O-Ring 3225             | O-Ring 3225              | 1     |
| 10   | 601215  | Dado UNI 28675 M12X1.5      | Ecrous UNI 28675 M12x1.5   | Nut UNI 28675 M12x1.5   | Mutter UNI 28675 M12x1.5 | 1     |
| 11   | 801200  | Rondella Grower d.12        | Rondelle Grower d.12       | Wascher Grower d.12     | Rosette Grower d.12      | 1     |
| 12   | 700465  | Chiavetta 4x6.5 UNI 6606    | Clavette 4x6.5 UNI 6606    | Key 4x6.5 UNI 6606      | Keil 4x6.5 UNI 6606      | 1     |
| 13   | ACO1    | Albero conico               | Arbre                      | Female                  | Antriebsw                | 1     |



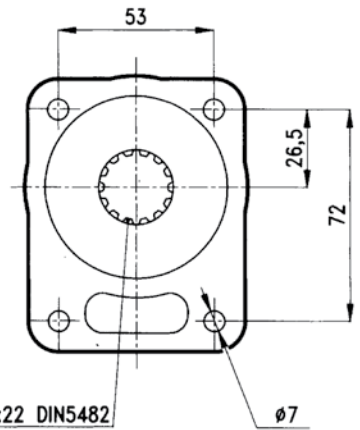
25401

100 daN.  
 ↘ 75 daN.



25601

90 daN.

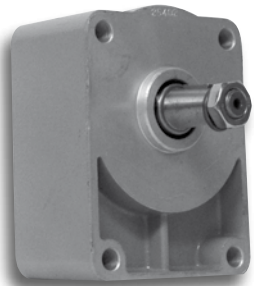
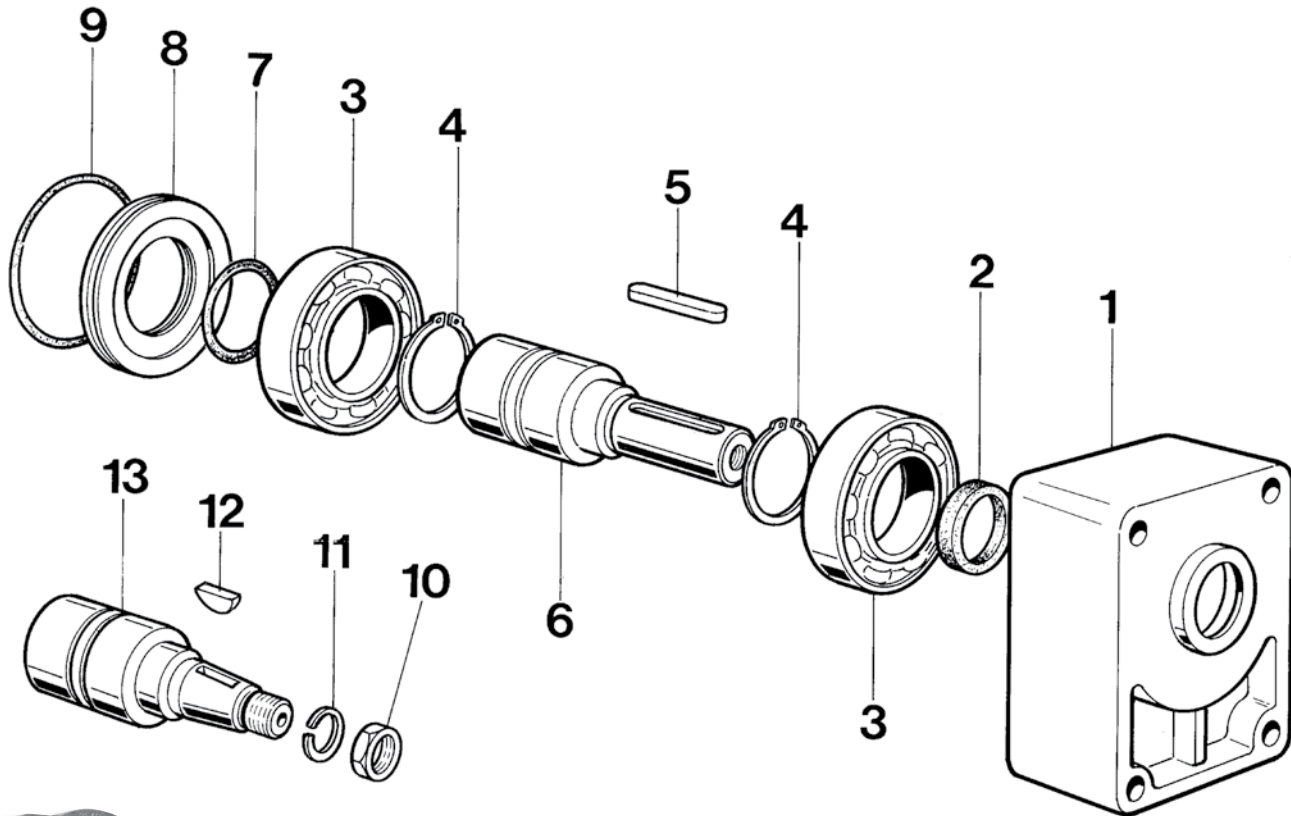


Z14 25x22 DIN5482

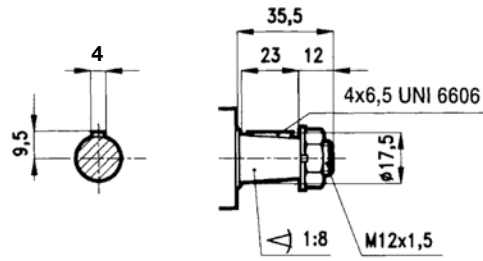
Ø7

www.GPA.by

SERIE: 25402/25602

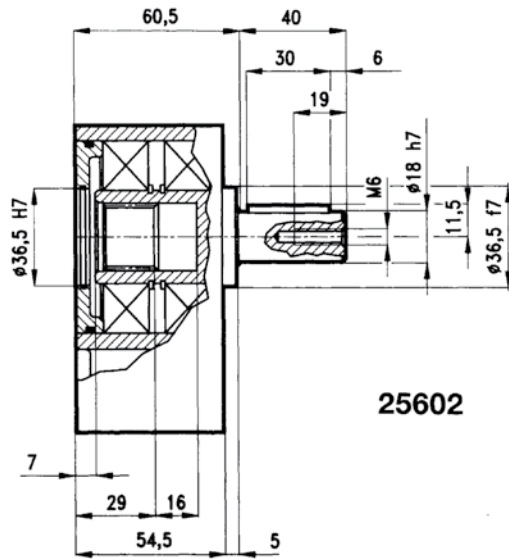
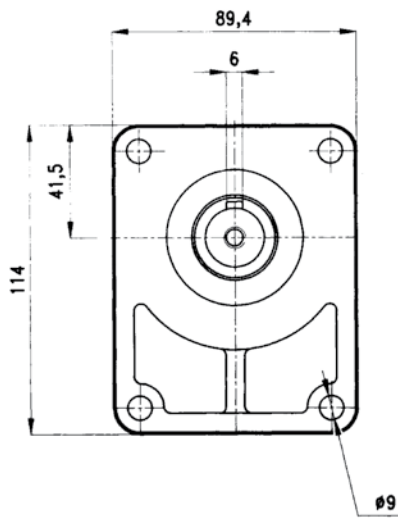


| Pos. | CODICE      | DENOMINAZIONE               | DENOMINATION               | DESCRIPTION             | BEZEICHNUNG              | Q.TA' |
|------|-------------|-----------------------------|----------------------------|-------------------------|--------------------------|-------|
| 1    | 25002/364.1 | Scatola                     | Carcasse                   | Housing                 | Gehäuse                  | 1     |
| 2    | 302232      | Anello di tenuta 22x32x7    | Bague d'étanchéité 22x32x7 | Sealing Ring 22x32x7    | Dichtring 22x32x7        | 1     |
| 3    | 506207      | Cuscinetto 6207A            | Palier 6207A               | Bearing 6207A           | Kugellager 6207A         | 2     |
| 4    | 903500      | Anello seeger UNI 7435 - 35 | Circlip UNI 7435 - 35      | Snap ring UNI 7435 - 35 | Seegerring UNI 7435 - 35 | 2     |
| 5    | 426630      | Chiavetta 6x6x30 UNI 6604   | Clavette 6x6x30 UNI 6604   | Key 6x6x30 UNI 6604     | Keil 6x6x30 UNI 6604     | 1     |
| 6    | AC18.2      | Albero D=18                 | Arbre d=18                 | Female d=18             | Antriebsw d=18           | 1     |
| 7    | 403143      | Anello OR 3143              | Bague torique 3143         | O-Ring 3143             | O-Ring 3143              | 1     |
| 8    | 25002/C.1   | Anello d=72                 | Bague d=72                 | Ring d=72               | Ring d=72                | 1     |
| 9    | 403262      | Anello OR 3262              | Bague torique OR 3262      | O-Ring 3262             | O-Ring 3262              | 1     |
| 10   | 601215      | Dado UNI 28675 M12X1.5      | Ecrous UNI 28675 M12x1.5   | Nut UNI 28675 M12x1.5   | Mutter UNI 28675 M12x1.5 | 1     |
| 11   | 801200      | Rondella Grower d.12        | Rondelle Grower d.12       | Wascher Grower d.12     | Rosette Grower d.12      | 1     |
| 12   | 700465      | Chiavetta 3.2x6.5 UNI 6606  | Clavette 3.2x6.5 UNI 6606  | Key 3.2x6.5 UNI 6606    | Keil 3.2x6.5 UNI 6606    | 1     |
| 13   | ACO2        | Albero conico               | Arbre                      | Female                  | Antriebsw                | 1     |



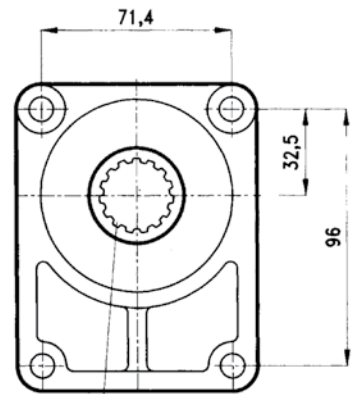
25402

170 daN.  
130 daN.



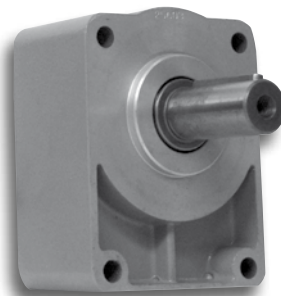
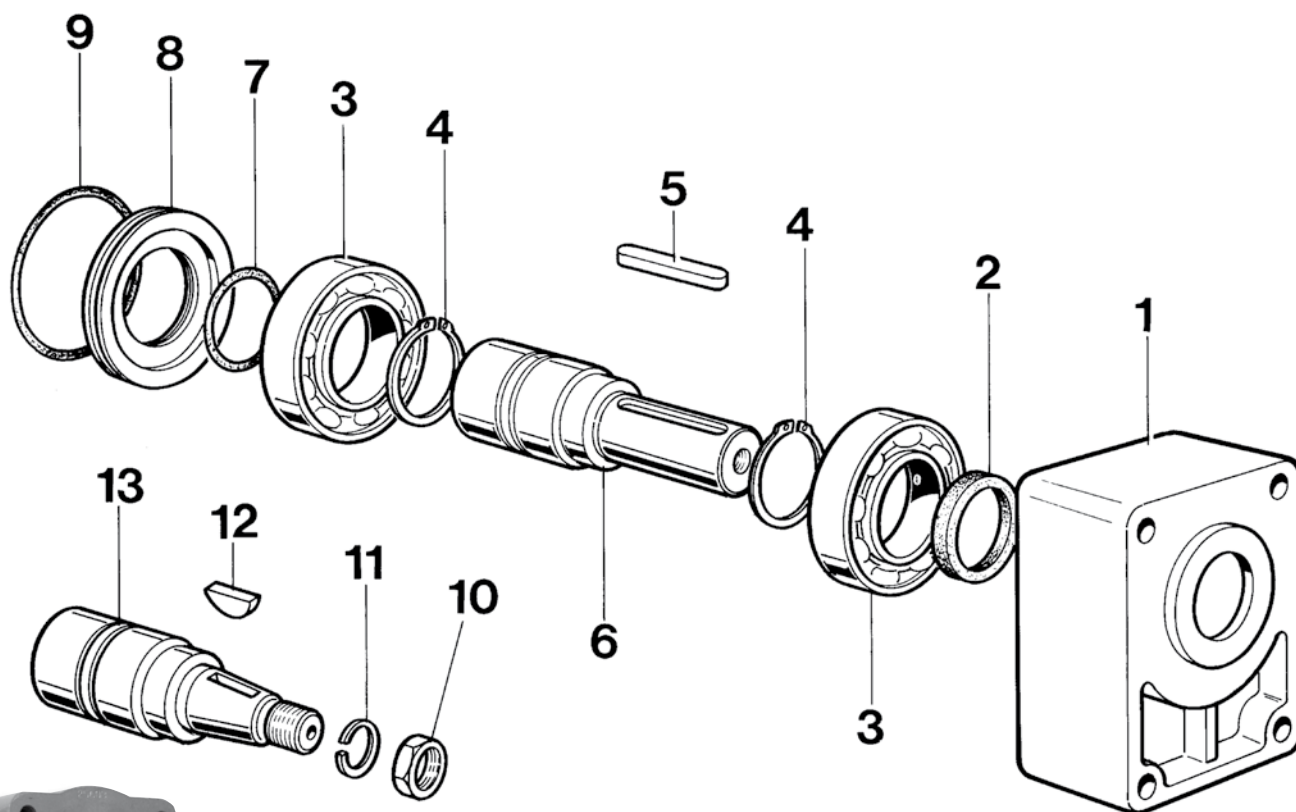
25602

110 daN.



Z14 25x22 DIN5482

SERIE: 25403/25603



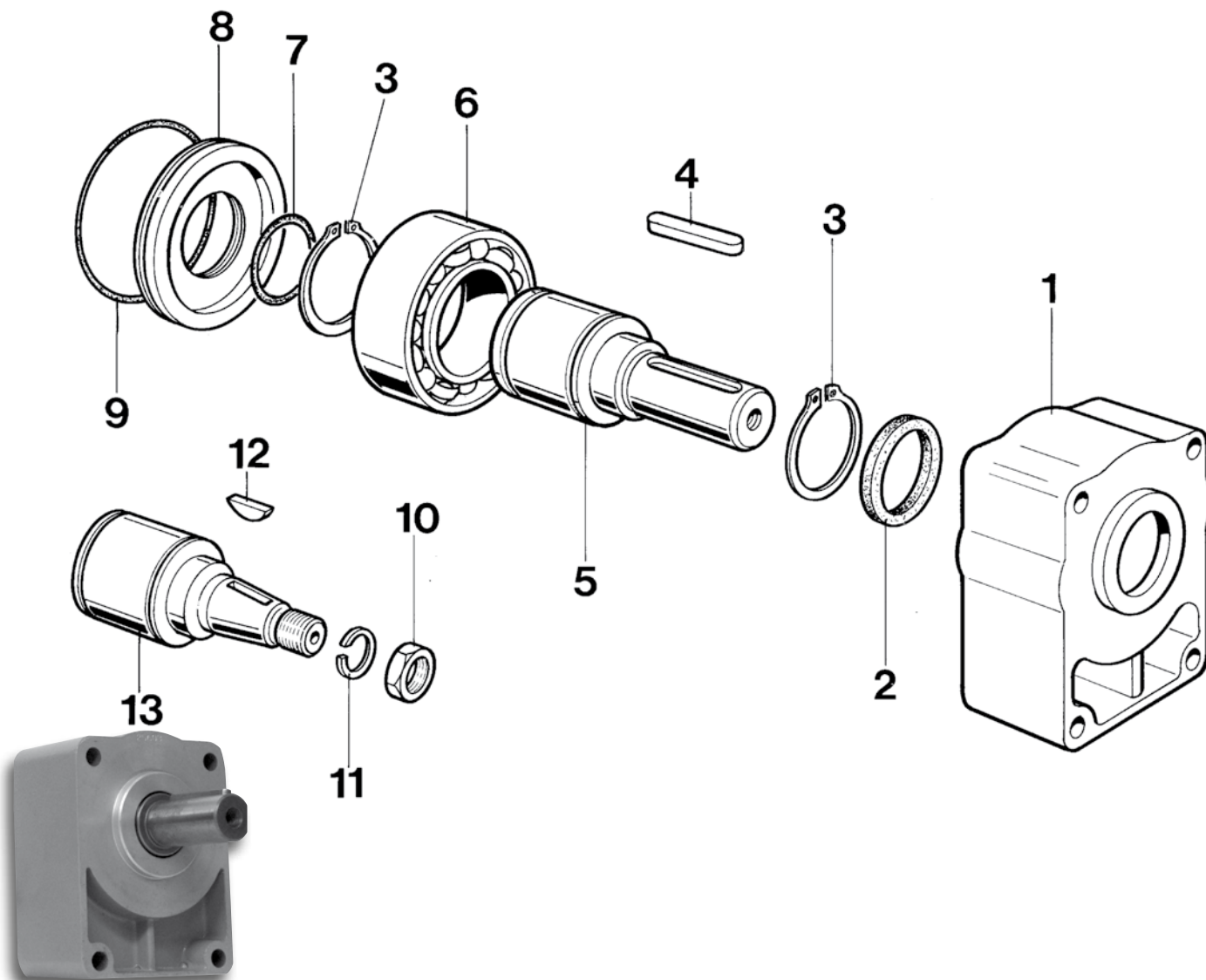
| Pos. | CODICE    | DENOMINAZIONE               | DENOMINATION               | DESCRIPTION             | BEZEICHNUNG              | Q.TA' |
|------|-----------|-----------------------------|----------------------------|-------------------------|--------------------------|-------|
| 1    | 25003.1   | Scatola                     | Carcasse                   | Housing                 | Gehäuse                  | 1     |
| 2    | 303040    | Anello di tenuta 30x40x7    | Bague d'étanchéité 30x40x7 | Sealing Ring 30x40x7    | Dichtring 30x40x7        | 1     |
| 3    | 506207    | Cuscinetto 6207A            | Palier 6207A               | Bearing 6207A           | Kugellager 6207A         | 2     |
| 4    | 903500    | Anello seeger UNI 7435 - 35 | Circlip UNI 7435 - 35      | Snap ring UNI 7435 - 35 | Seegerring UNI 7435 - 35 | 2     |
| 5    | 426640    | Chiavetta 6x6x40 UNI 6604   | Clavette 6x6x40 UNI 6604   | Key 6x6x40 UNI 6604     | Keil 6x6x40 UNI 6604     | 1     |
| 6    | AC22/R2   | Albero D=22                 | Arbre d=22                 | Female d=22             | Antriebsw d=22           | 1     |
| 7    | 403143    | Anello OR 3143              | Bague torique 3143         | O-Ring 3143             | O-Ring 3143              | 1     |
| 8    | 25002/C.1 | Anello d=72                 | Bague d=72                 | Ring d=72               | Ring d=72                | 1     |
| 9    | 403262    | Anello OR 3262              | Bague torique OR 3262      | O-Ring 3262             | O-Ring 3262              | 1     |
| 10   | 601215    | Dado UNI 28675 M12X1.5      | Ecrous UNI 28675 M12x1.5   | Nut UNI 28675 M12x1.5   | Mutter UNI 28675 M12x1.5 | 1     |
| 11   | 801200    | Rondella Grower d.12        | Rondelle Grower d.12       | Wascher Grower d.12     | Rosette Grower d.12      | 1     |
| 12   | 700465    | Chiavetta 3.2x6.5 UNI 6606  | Clavette 3.2x6.5 UNI 6606  | Key 3.2x6.5 UNI 6606    | Keil 3.2x6.5 UNI 6606    | 1     |
| 13   | ACO2/R2   | Albero conico               | Arbre                      | Female                  | Antriebsw                | 1     |



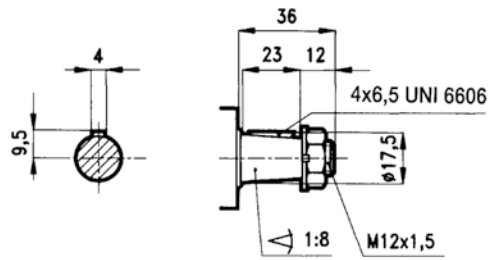


www.GPA.by

SERIE: 25403.1/25603.1

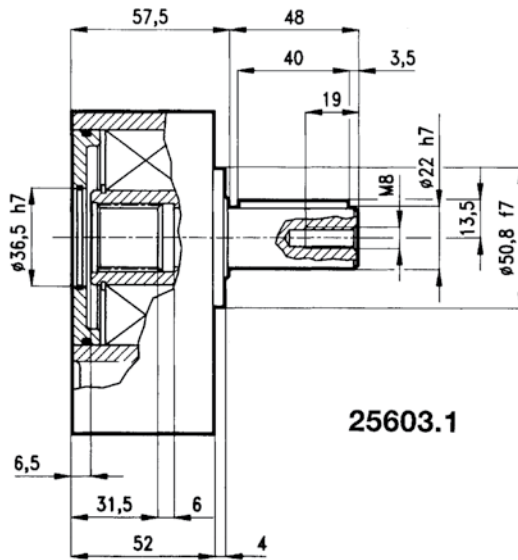
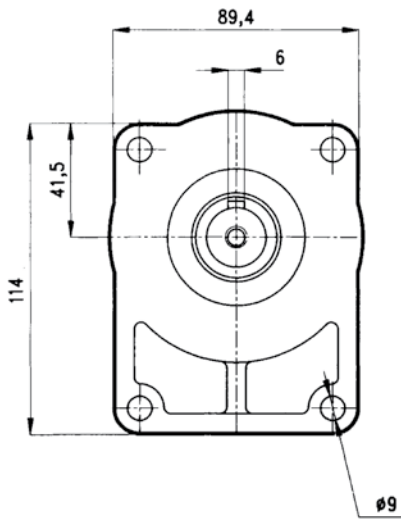


| Pos. | CODICE      | DENOMINAZIONE               | DENOMINATION               | DESCRIPTION             | BEZEICHNUNG              | Q.TA' |
|------|-------------|-----------------------------|----------------------------|-------------------------|--------------------------|-------|
| 1    | 25003/508.1 | Scatola                     | Carcasse                   | Housing                 | Gehäuse                  | 1     |
| 2    | 303040      | Anello di tenuta 30x40x7    | Bague d'étanchéité 30x40x7 | Sealing Ring 30x40x7    | Dichtring 30x40x7        | 1     |
| 3    | 904000      | Anello seeger UNI 7435 - 40 | Circlip UNI 7435 - 40      | Snap ring UNI 7435 - 40 | Seegerring UNI 7435 - 40 | 2     |
| 4    | 426640      | Chiavetta 6x6x40 UNI 6604   | Clavette 6x6x40 UNI 6604   | Key 6x6x40 UNI 6604     | Keil 6x6x40 UNI 6604     | 1     |
| 5    | AC22/R      | Albero D=22                 | Arbre d=22                 | Female d=22             | Antriebsw d=22           | 1     |
| 6    | 503208      | Cuscinetto 3208A            | Palier 3208A               | Bearing 3208A           | Kugellager 3208A         | 1     |
| 7    | 403143      | Anello OR 3143              | Bague torique 3143         | O-Ring 3143             | O-Ring 3143              | 1     |
| 8    | 25003/C.1   | Anello d=80                 | Bague d=80                 | Ring d=80               | Ring d=80                | 1     |
| 9    | 401740      | Anello OR 174               | Bague torique OR174        | O-Ring 174              | O-Ring 174               | 1     |
| 10   | 601215      | Dado UNI 28675 M12X1.5      | Ecrous UNI 28675 M12x1.5   | Nut UNI 28675 M12x1.5   | Mutter UNI 28675 M12x1.5 | 1     |
| 11   | 801200      | Rondella Grower d.12        | Rondelle Grower d.12       | Wascher Grower d.12     | Rosette Grower d.12      | 1     |
| 12   | 700365      | Chiavetta 3.2x6.5 UNI 6606  | Clavette 3.2x6.5 UNI 6606  | Key 3.2x6.5 UNI 6606    | Keil 3.2x6.5 UNI 6606    | 1     |
| 13   | ACO2/R      | Albero conico               | Arbre                      | Female                  | Antriebsw                | 1     |



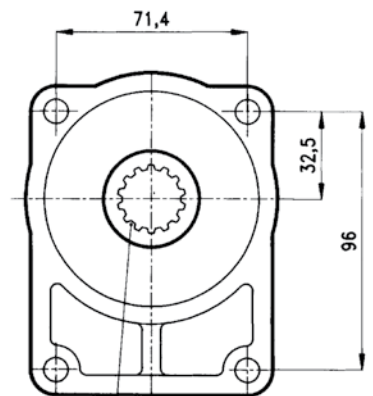
25403.1

285 daN. 220 daN.



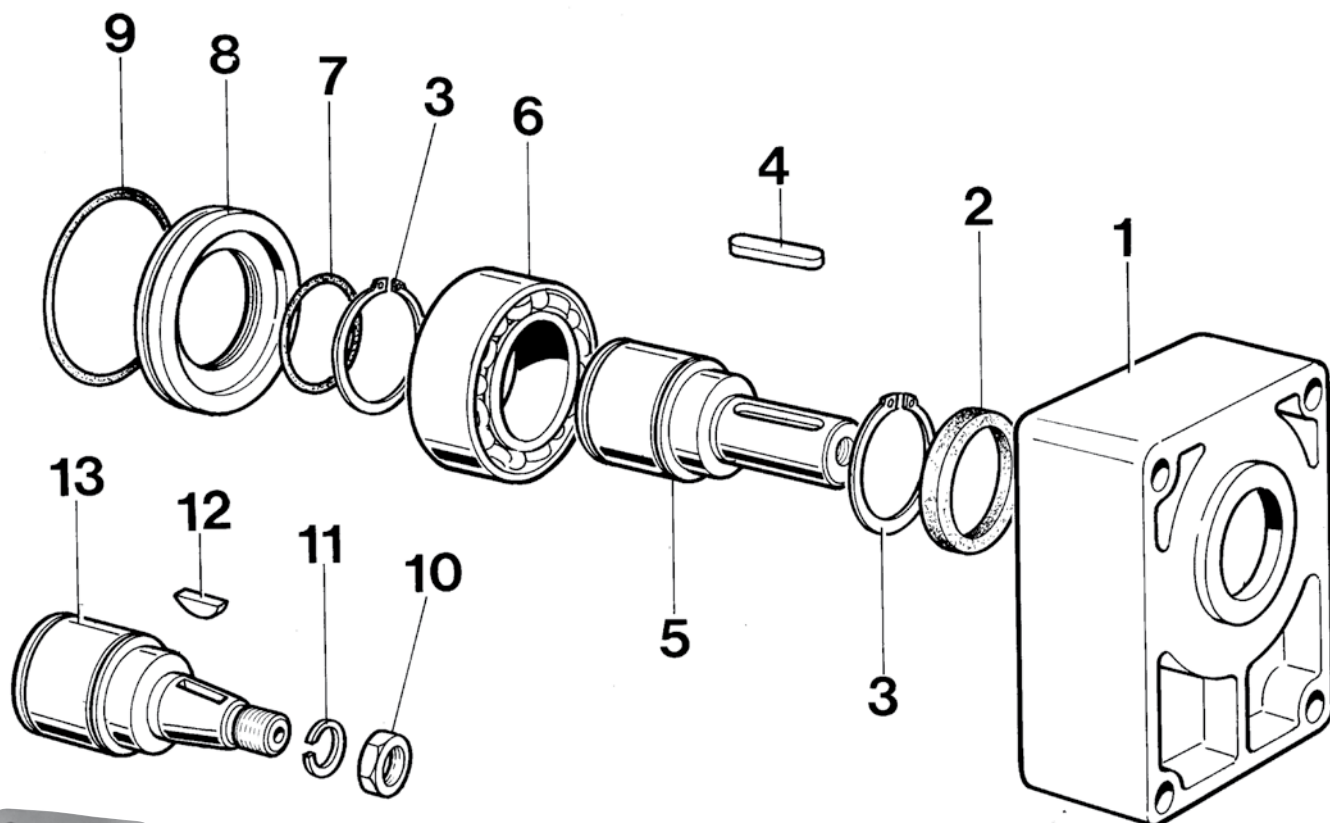
25603.1

130 daN.



Z15 28x25 DIN5482

SERIE: 25404-4/25604-4

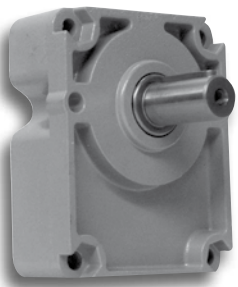
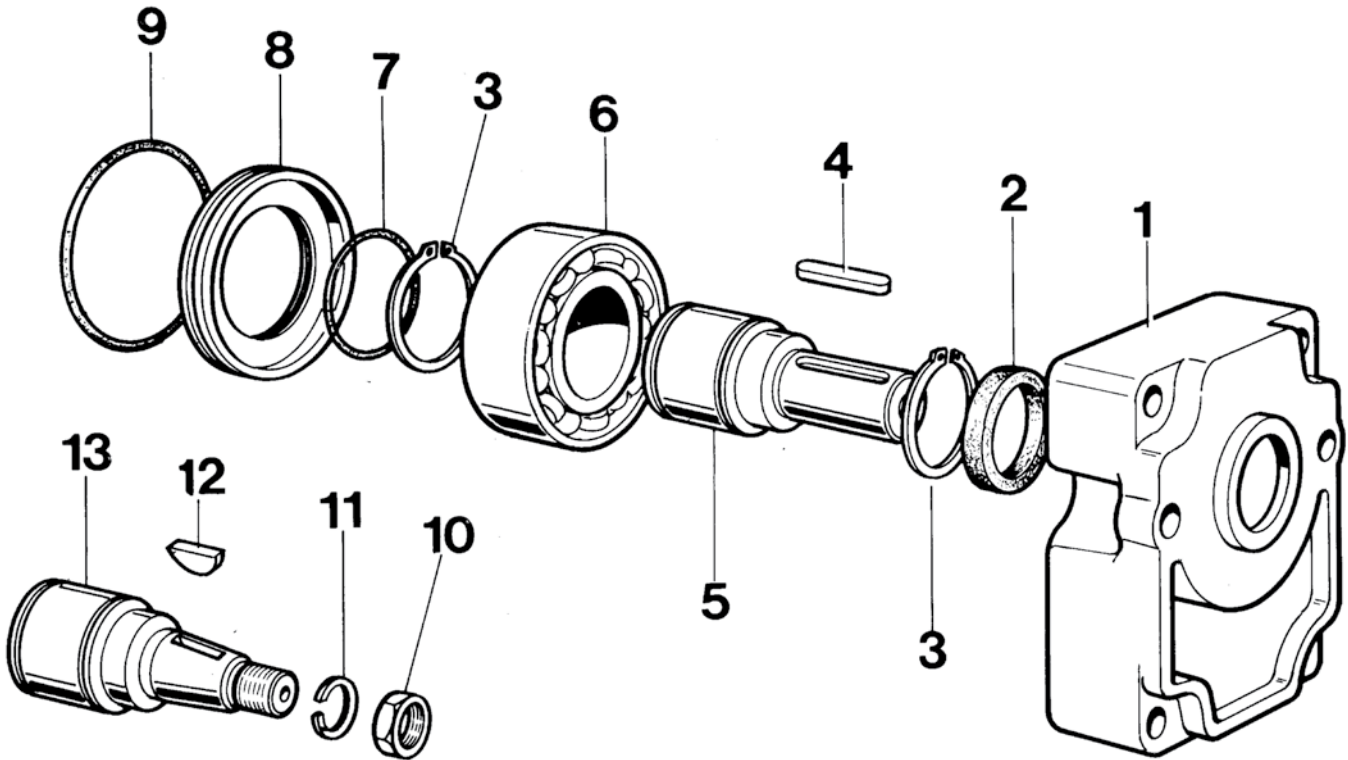


| Pos. | CODICE    | DENOMINAZIONE               | DENOMINATION               | DESCRIPTION             | BEZEICHNUNG              | Q.TA' |
|------|-----------|-----------------------------|----------------------------|-------------------------|--------------------------|-------|
| 1    | 25004/4.1 | Scatola                     | Carcasse                   | Housing                 | Gehäuse                  | 1     |
| 2    | 303852    | Anello di tenuta 38x52x7    | Bague d'étanchéité 38x52x7 | Sealing Ring 38x52x7    | Dichtring 38x52x7        | 1     |
| 3    | 904500    | Anello seeger UNI 7435 - 45 | Circlip UNI 7435 - 45      | Snap ring UNI 7435 - 45 | Seegerring UNI 7435 - 45 | 2     |
| 4    | 428740    | Chiavetta 8x7x40 UNI 6604   | Clavette 8x7x40 UNI 6604   | Key 8x7x40 UNI 6604     | Keil 8x7x40 UNI 6604     | 1     |
| 5    | AC24/4    | Albero D=24                 | Arbre d=24                 | Female d=24             | Antriebsw d=24           | 1     |
| 6    | 503209    | Cuscinetto 3209A            | Palier 3209A               | Bearing 3209A           | Kugellager 3209A         | 1     |
| 7    | 403200    | Anello OR 3200              | Bague torique 3200         | O-Ring 3200             | O-Ring 3200              | 1     |
| 8    | COP085    | Anello d=85                 | Bague d=85                 | Ring d=85               | Ring d=85                | 1     |
| 9    | 404300    | Anello OR 4300              | Bague torique OR4300       | O-Ring 4300             | O-Ring 4300              | 1     |
| 10   | 601415    | Dado UNI 28675 M14X1.5      | Ecrous UNI 28675 M14x1.5   | Nut UNI 28675 M14x1.5   | Mutter UNI 28675 M14x1.5 | 1     |
| 11   | 801400    | Rondella Grower d.14        | Rondelle Grower d.14       | Wascher Grower d.14     | Rosette Grower d.14      | 1     |
| 12   | 700475    | Chiavetta 4x7.5 UNI 6606    | Clavette 4x7.5 UNI 6606    | Key 4x7.5 UNI 6606      | Keil 4x7.5 UNI 6606      | 1     |
| 13   | ACO3/4F   | Albero conico               | Arbre                      | Female                  | Antriebsw                | 1     |



www.GPA.by

SERIE: 25404-6/25604-6

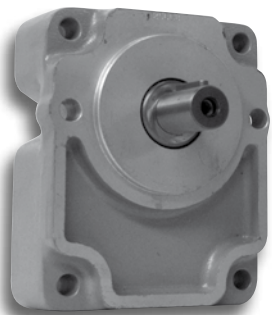
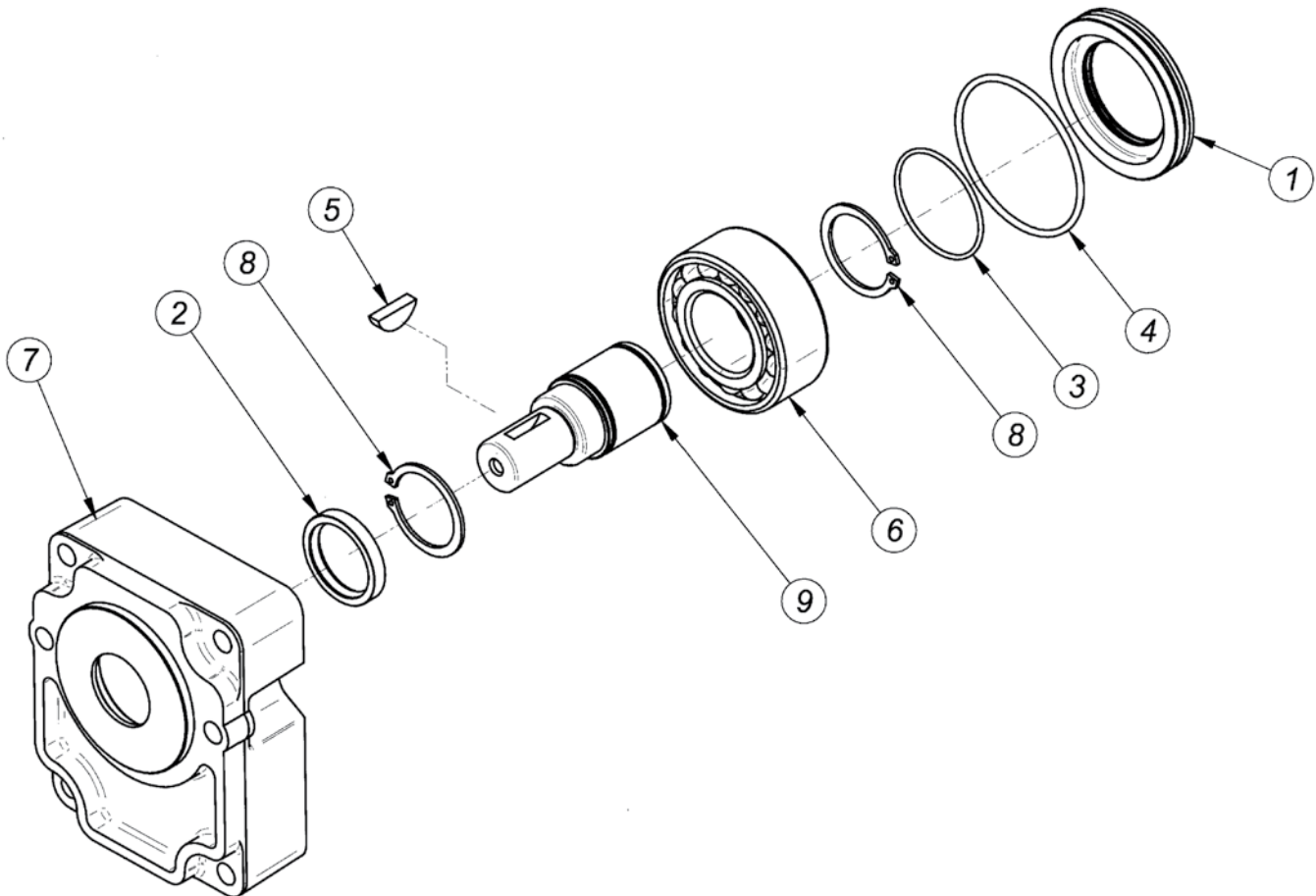


| Pos. | CODICE    | DENOMINAZIONE               | DENOMINATION               | DESCRIPTION             | BEZEICHNUNG              | Q.TA' |
|------|-----------|-----------------------------|----------------------------|-------------------------|--------------------------|-------|
| 1    | 25004/6.1 | Scatola                     | Carcasse                   | Housing                 | Gehäuse                  | 1     |
| 2    | 303545    | Anello di tenuta 35x45x7    | Bague d'étanchéité 35x45x7 | Sealing Ring 35x45x7    | Dichtring 35x45x7        | 1     |
| 3    | 904000    | Anello seeger UNI 7435 - 40 | Circlip UNI 7435 - 40      | Snap ring UNI 7435 - 40 | Seegerring UNI 7435 - 40 | 2     |
| 4    | 428740    | Chiavetta 8x7x40 UNI 6604   | Clavette 8x7x40 UNI 6604   | Key 8x7x40 UNI 6604     | Keil 8x7x40 UNI 6604     | 1     |
| 5    | AC24      | Albero D=24                 | Arbre d=24                 | Female d=24             | Antriebsw d=24           | 1     |
| 6    | 503208    | Cuscinetto 3208A            | Palier 3208A               | Bearing 3208A           | Kugellager 3208A         | 1     |
| 7    | 403200    | Anello OR 3200              | Bague torique 3200         | O-Ring 3200             | O-Ring 3200              | 1     |
| 8    | 25003/C.1 | Anello d=80                 | Bague d=80                 | Ring d=80               | Ring d=80                | 1     |
| 9    | 401740    | Anello OR 174               | Bague torique OR174        | O-Ring 174              | O-Ring 174               | 1     |
| 10   | 601415    | Dado UNI 28675 M14X1.5      | Ecrous UNI 28675 M14x1.5   | Nut UNI 28675 M14x1.5   | Mutter UNI 28675 M14x1.5 | 1     |
| 11   | 801400    | Rondella Grower d.14        | Rondelle Grower d.14       | Wascher Grower d.14     | Rosette Grower d.14      | 1     |
| 12   | 700475    | Chiavetta 4x7.5 UNI 6606    | Clavette 4x7.5 UNI 6606    | Key 4x7.5 UNI 6606      | Keil 4x7.5 UNI 6606      | 1     |
| 13   | ACO3/6F   | Albero conico               | Arbre                      | Female                  | Antriebsw                | 1     |



www.GPA.by

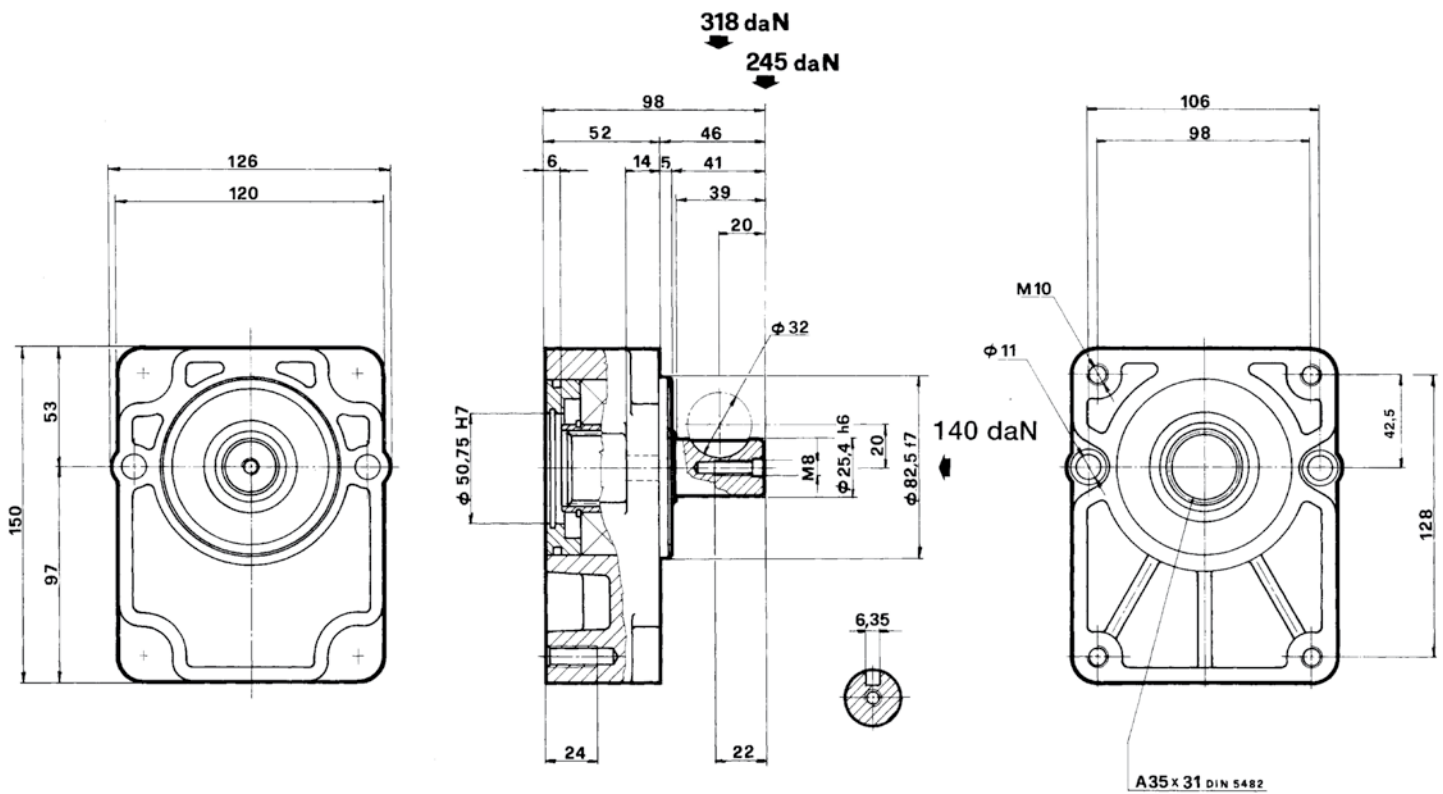
SERIE: 25607



| Pos. | CODICE    | DENOMINAZIONE               | DENOMINATION               | DESCRIPTION             | BEZEICHNUNG             | Q.TA' |
|------|-----------|-----------------------------|----------------------------|-------------------------|-------------------------|-------|
| 1    | 25003/C.1 | Anello                      | Bague                      | Ring                    | Ring                    | 1     |
| 2    | 303545    | Anello di tenuta 35x45x7    | Bague d'etancheite 35x45x7 | Sealing ring 35x45x7    | Dichtring 35x45x7       | 1     |
| 3    | 403200    | Anello OR                   | Bague torique              | O-Ring                  | O-Ring                  | 1     |
| 4    | 401740    | Anello OR                   | Bague toriquir             | O-Ring                  | O-Ring                  | 1     |
| 5    | 700610    | Chiavetta 6x10 UNI 6606     | Clavette 6x10 UNI 6606     | Key 6x10 UNI 6606       | Keil 6x10 UNI 6606      | 1     |
| 6    | 503208    | Cuscinetto 3208A            | Palier 3208A               | Bearing 3208A           | Kugellager 3208A        | 1     |
| 7    | 25007.1   | Scatola                     | Carcasse                   | Housing                 | Gehause                 | 1     |
| 8    | 904000    | Anello seeger UNI 7435 - 40 | Circlip UNI 7435 - 40      | Snap ring UNI 7435 - 40 | Seegering UNI 7435 - 40 | 2     |
| 9    | AC 25.4   | Albero d.40                 | Arbre d.40                 | Female d.40             | Antriebsw d.40          | 1     |



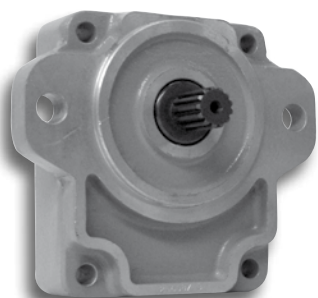
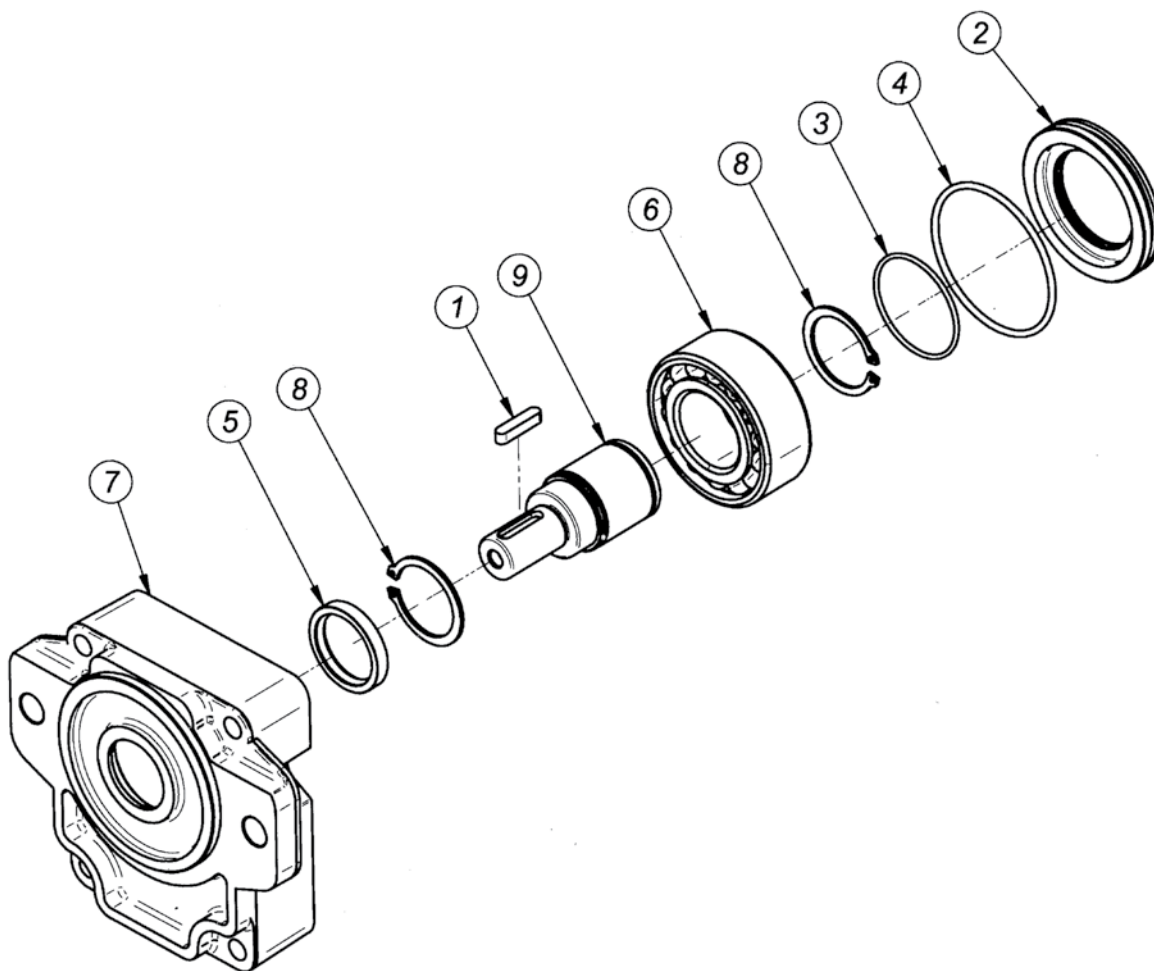
- SUPPORTO POMPE Gr. 3 / SAE A
- SUPPORT POUR POMPE Gr. 3 / SAE A
- PUMP SUPPORT - GROUP 3 / SAE A
- PUMPENHALTERUNG MIT KEGELWELLE GR 3 / SAE A



25607

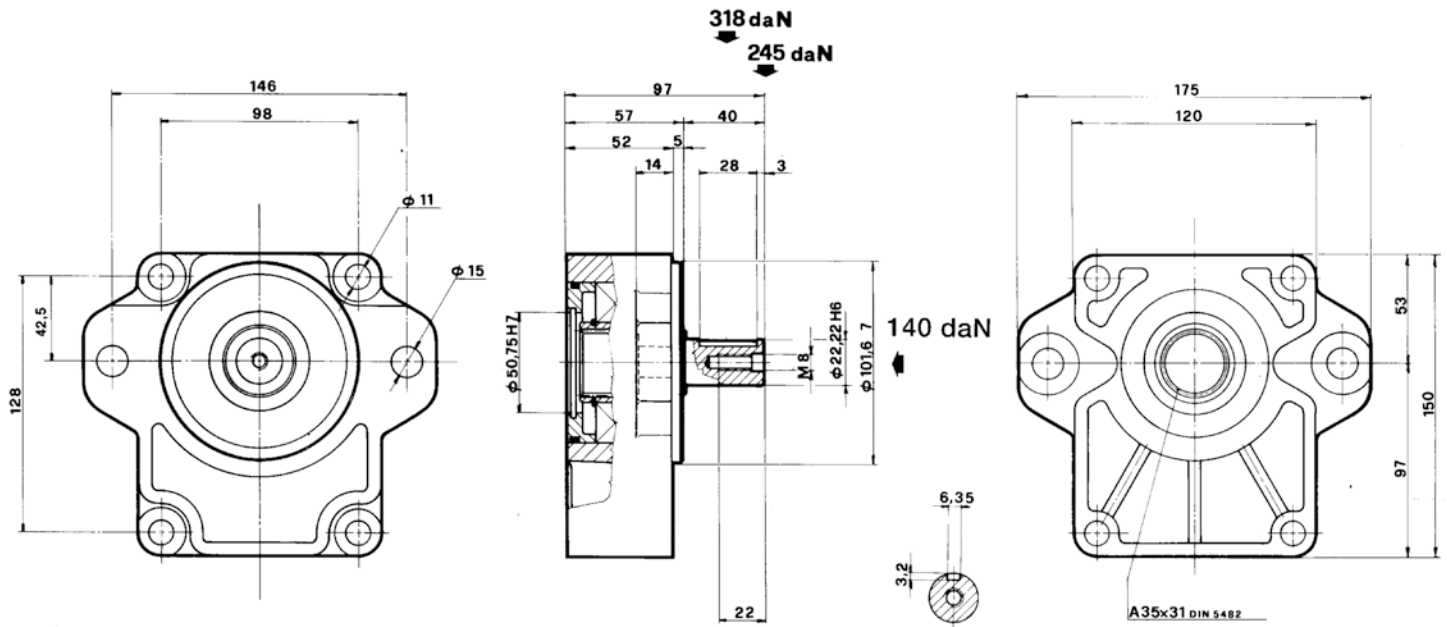
- SUPPORTO CON FLANGIA SAE B 2 FORI PER POMPE Gr. 3
- SUPPORT AVEC BRIDE SAE B 2 TROUS POUR POMPES Gr. 3
- SUPPORT WITH FLANGE SAE B, 2-HOLE, FOR PUMPS GROUP 3
  - PUMPENHALTERUNG MIT FLANSCH SAE B, 2 BOHRUNGEN FÜR PUMPEN GR 3

SERIE: 25608



| Pos. | CODICE    | DENOMINAZIONE               | DENOMINATION               | DESCRIPTION             | BEZEICHNUNG             | Q.TA' |
|------|-----------|-----------------------------|----------------------------|-------------------------|-------------------------|-------|
| 1    | 426628    | Chiavetta 6x6x28 UNI 6604   | Clavette 6x6x28 UNI 6604   | Key 6x6x28 UNI 6604     | Keil 6x6x28 UNI 6604    | 1     |
| 2    | 25003/C.1 | Anello                      | Bague                      | Ring                    | Ring                    | 1     |
| 3    | 403200    | Anello OR                   | Bague torique              | O-Ring                  | O-Ring                  | 1     |
| 4    | 401740    | Anello OR                   | Bague torique              | O-Ring                  | O-Ring                  | 1     |
| 5    | 303545    | Anello di tenuta 35x45x7    | Bague d'etancheite 35x45x7 | Sealing ring 35x45x7    | Dichtring 35x45x7       | 1     |
| 6    | 503208    | Cuscinetto 3208A            | Palier 3208A               | Bearing 3208A           | Kugellager 3208A        | 1     |
| 7    | 25008.1   | Scatola                     | Carcasse                   | Housing                 | Gehäuse                 | 1     |
| 8    | 904000    | Anello seeger UNI 7435 - 40 | Circlip UNI 7435 - 40      | Snap ring UNI 7435 - 40 | Seegering UNI 7435 - 40 | 2     |
| 9    | AC 22.2   | Albero d.22.2               | Arbre d.22.2               | Female d.22.2           | Antriebsw d.22.2        | 1     |

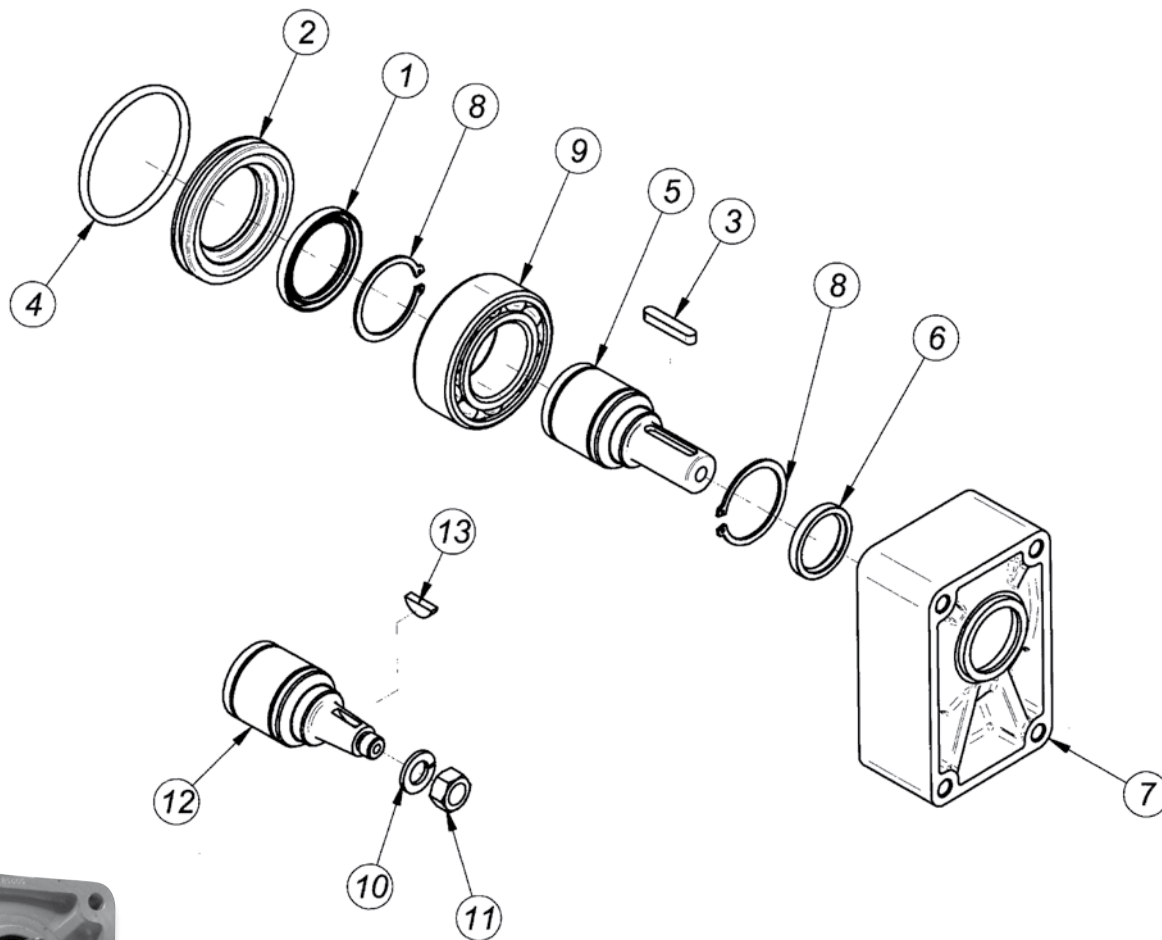
- SUPPORTO CON FLANGIA SAE B 2 FORI PER POMPE Gr. 3
- SUPPORT AVEC BRIDE SAE B 2 TROUS POUR POMPES Gr. 3
- SUPPORT WITH FLANGE SAE B, 2-HOLE, FOR PUMPS GROUP 3
  - PUMPENHALTERUNG MIT FLANSCH SAE B, 2 BOHRUNGEN FÜR PUMPEN GR 3



25608

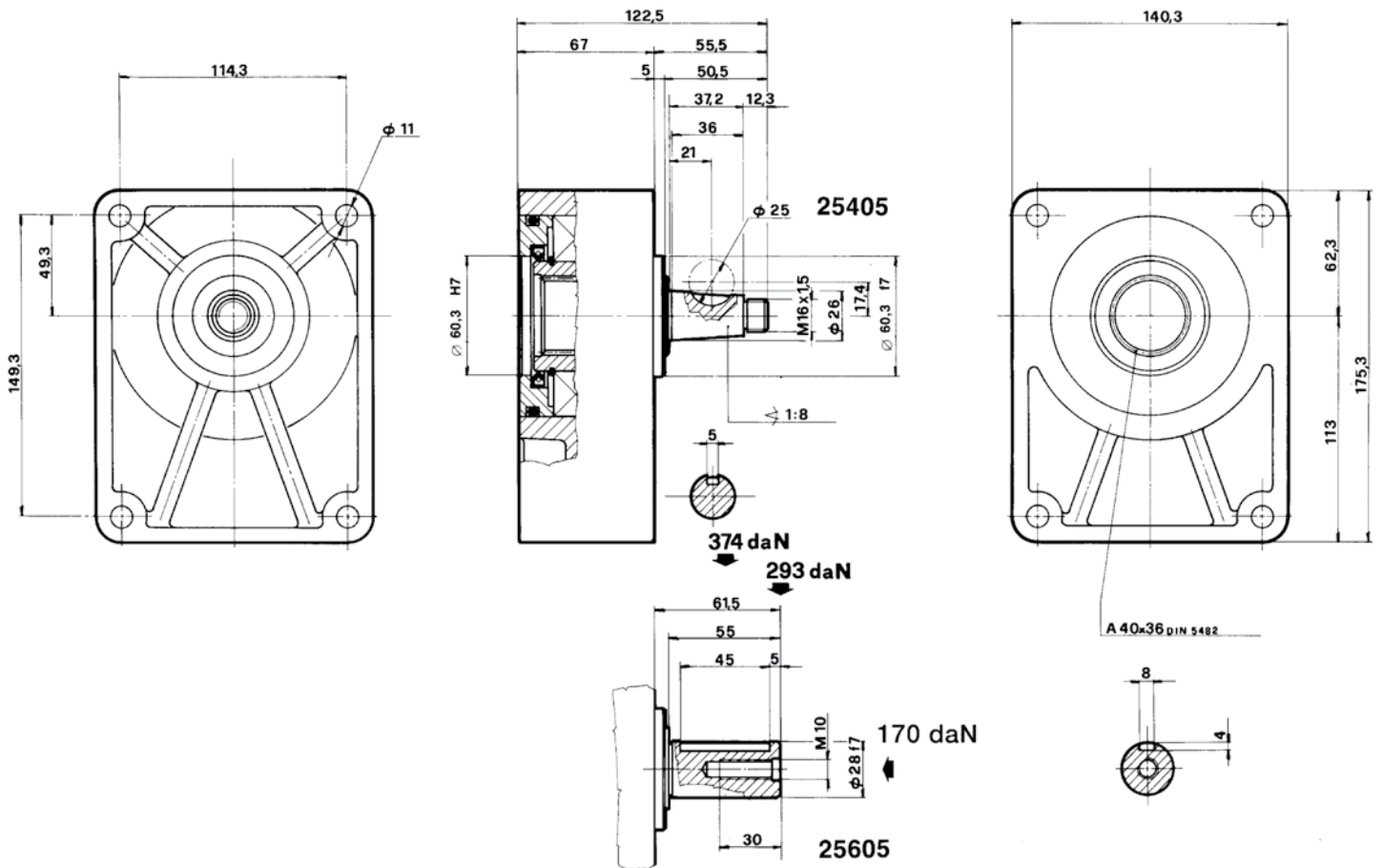
- SUPPORTO POMPE Gr. 3,5
- SUPPORT POUR POMPE Gr. 3,5
- PUMP SUPPORT - GROUP 3,5
- PUMPENHALTERUNG MIT KEGELWELLE GR 3,5

SERIE: 25405/25605

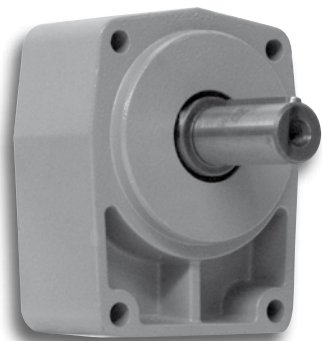
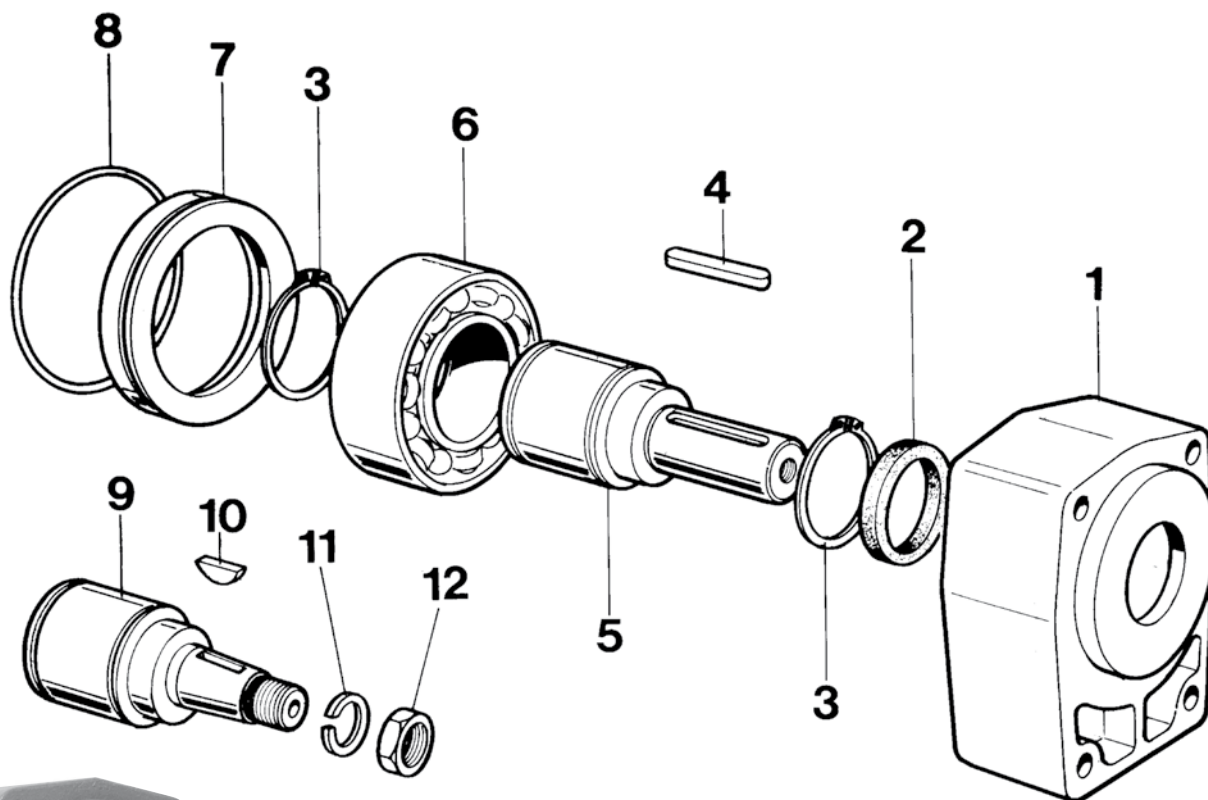


| Pos. | CODICE  | DENOMINAZIONE                  | DENOMINATION                | DESCRIPTION             | BEZEICHNUNG              | Q.TA' |
|------|---------|--------------------------------|-----------------------------|-------------------------|--------------------------|-------|
| 1    | 305572  | Anello di tenuta 55x72x8       | Bague d' étanchèité 55x72x8 | Sealing ring 55x72x8    | Dichtring 55x72x8        | 1     |
| 2    | COP100  | Anello D=100                   | Bague D=100                 | Ring D=100              | Ring D=100               | 1     |
| 3    | 428745  | Chiavetta 8x7x45 UNI 6604      | Clavette 8x7x45 UNI 6604    | Key 8x7x45 UNI 6604     | Keil 8x7x45 UNI 6604     | 1     |
| 4    | 401850  | Anello OR 185                  | Bague torique OR 185        | O-Ring 185              | O-Ring 185               | 1     |
| 5    | AC28    | Albero conico                  | Arbre                       | Female                  | Antriebsw                | 1     |
| 6    | 304052  | Anello di tenuta 40x52x7       | Bague d' étanchèité 40x52x7 | Sealing ring 40x52x7    | Dichtring 40x52x7        | 1     |
| 7    | 25005.1 | Scatola                        | Carcasse                    | Housing                 | Gehäuse                  | 1     |
| 8    | 905500  | Anello seeger UNI 7435 - 55    | Circlip UNI 7435 - 55       | Snap ring UNI 7435 - 55 | Seegerring UNI 7435 - 55 | 2     |
| 9    | 503211  | Cuscinetto 3211                | Palier 3211                 | Bearing 3211            | Kugellager 3211          | 1     |
| 10   | 801600  | Rosetta UNI 8839 - B 16        | Rondelle UNI 8839 B 16      | Washer UNI 8839 B 16    | Rosette UNI 8839 B 16    | 1     |
| 11   | 601615  | Dado esagonale normale M16x1,5 | Ecrou M16x1.5               | Nut M16x1.5             | Mutter M16x1.5           | 1     |
| 12   | AC03.5  | Albero conico                  | Arbre                       | Female                  | Antriebsw                | 1     |
| 13   | 700510  | Chiavetta 5x10 UNI 6606        | Clavette 5x10 UNI 6606      | Key 5x10 UNI 6606       | Keil 5x10 UNI 6606       | 1     |

- SUPPORTO POMPE Gr. 3,5
- SUPPORT POUR POMPE Gr. 3,5
- PUMP SUPPORT - GROUP 3,5
- PUMPENHALTERUNG MIT KEGELWELLE GR 3,5

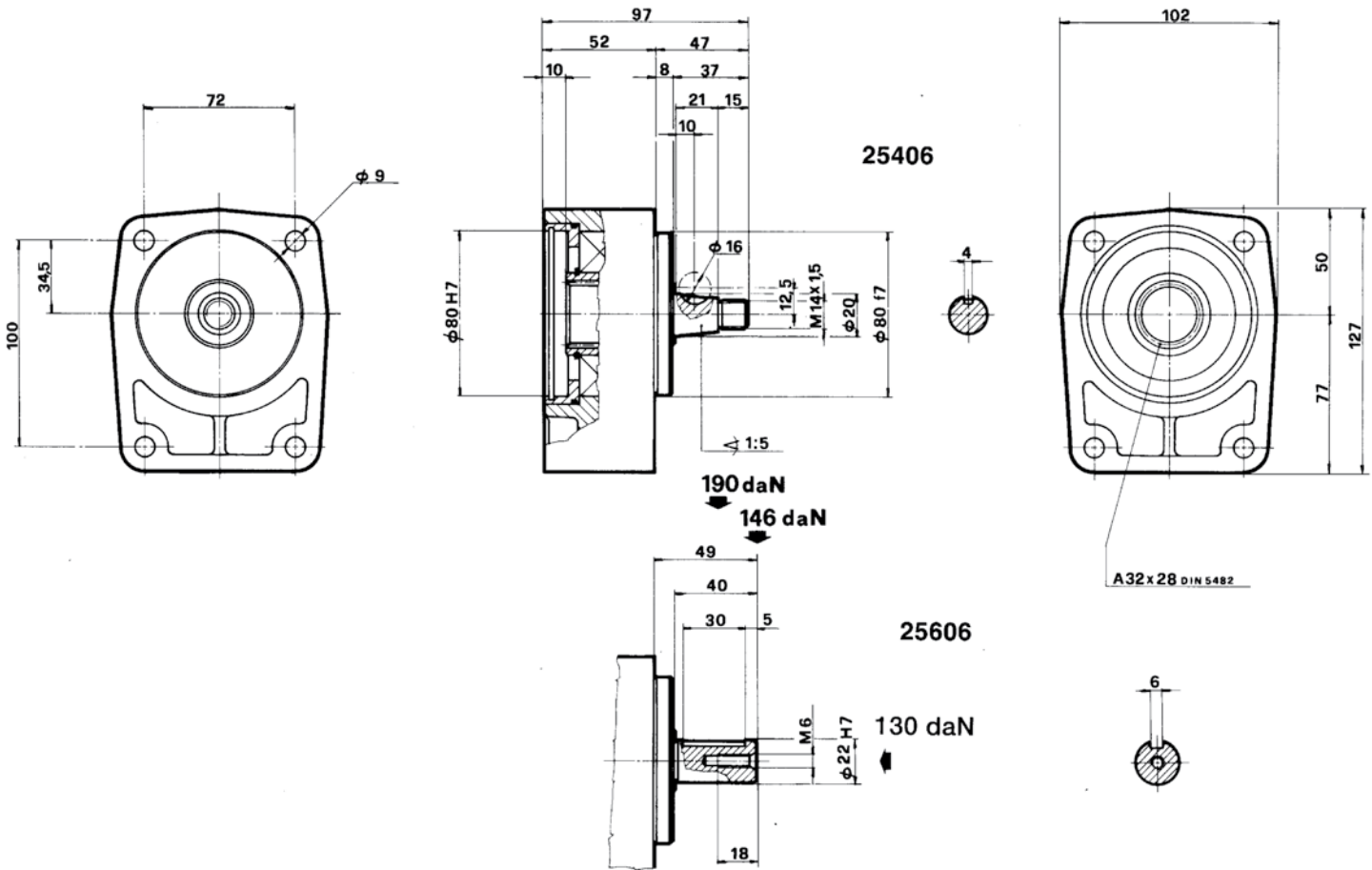


SERIE: 25406/25606



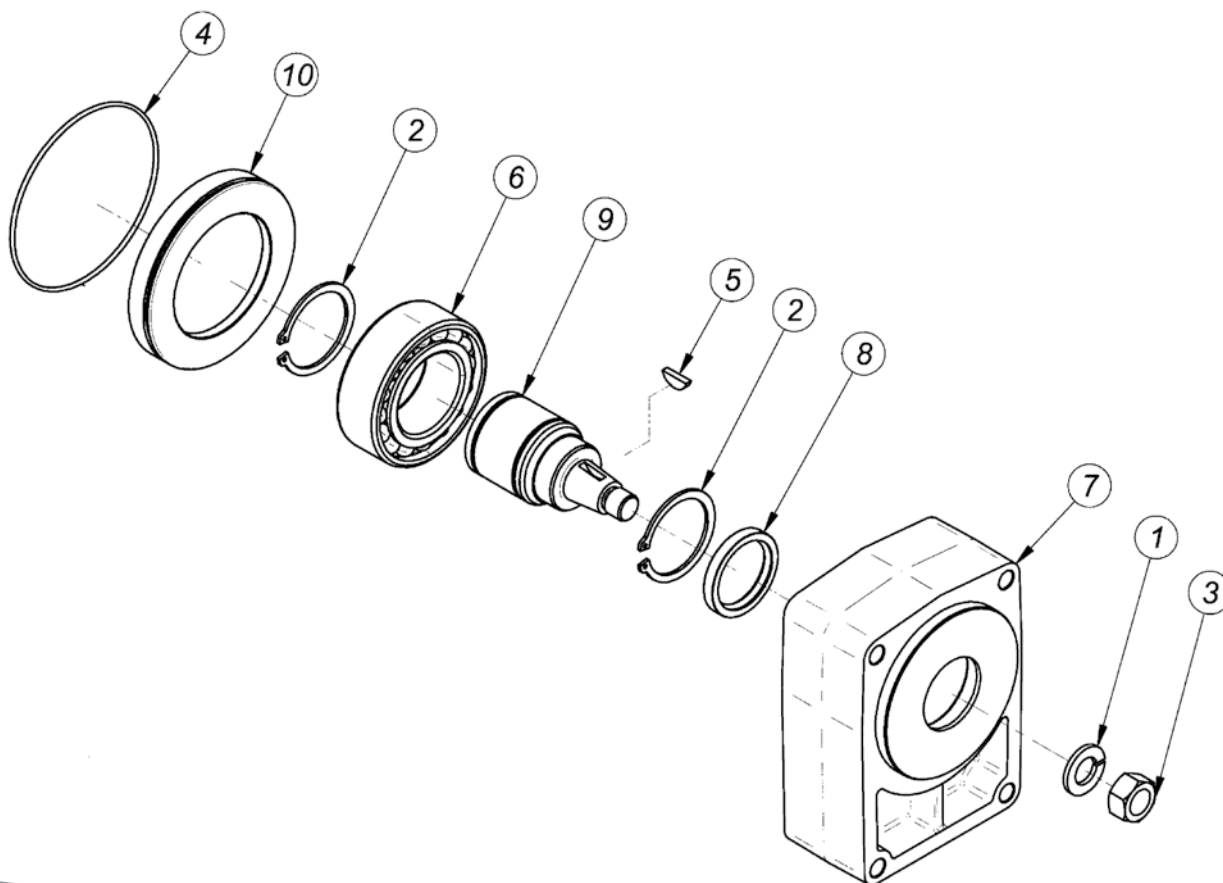
| Pos. | CODICE  | DENOMINAZIONE               | DENOMINATION               | DESCRIPTION             | BEZEICHNUNG              | Q.TA' |
|------|---------|-----------------------------|----------------------------|-------------------------|--------------------------|-------|
| 1    | 25006.1 | Scatola                     | Carcasse                   | Housing                 | Gehäuse                  | 1     |
| 2    | 303040  | Anello di tenuta 30x40x7    | Bague d'étanchéité 30x40x7 | Sealing Ring 30x40x7    | Dichtring 30x40x7        | 1     |
| 3    | 904000  | Anello seeger UNI 7435 - 40 | Circlip UNI 7435 - 40      | Snap ring UNI 7435 - 40 | Seegerring UNI 7435 - 40 | 2     |
| 4    | 426640  | Chiavetta 6x6x40 UNI 6604   | Clavette 6x6x40 UNI 6604   | Key 6x6x40 UNI 6604     | Keil 6x6x40 UNI 6604     | 1     |
| 5    | AC22/R  | Albero D=22                 | Arbre d=22                 | Female d=22             | Antriebsw d=22           | 1     |
| 6    | 503208  | Cuscinetto 3208A            | Palier 3208A               | Bearing 3208A           | Kugellager 3208A         | 1     |
| 7    | COP088  | Anello d=88                 | Bague d=88                 | Ring d=88               | Ring d=88                | 1     |
| 8    | 418025  | Anello OR 80x2.5            | Bague torique 80x2.5       | O-Ring 80x2.5           | O-Ring 80x2.5            | 2     |
| 9    | ACO2/B  | Albero conico               | Arbre                      | Female                  | Antriebsw                | 1     |
| 10   | 700465  | Chiavetta 4x6.5x16 UNI 6606 | Clavette 4x6.5x16 UNI 6606 | Key 4x6.5x16 UNI 6606   | Keil 4x6.5x16 UNI 6606   | 1     |
| 11   | 801400  | Rondella Grower d.14        | Rondelle Grower d.14       | Wascher Grower d.14     | Rosette Grower d.14      | 1     |
| 12   | 601415  | Dado UNI 28675 M14X1.5      | Ecrous UNI 28675 M14x1.5   | Nut UNI 28675 M14x1.5   | Mutter UNI 28675 M14x1.5 | 1     |

- SUPPORTO POMPE BOSCH Gr. 2
- SUPPORTS POUR POMPES BOSCH Gr. 2
- PUMP SUPPORT BOSCH - GROUP 2
- PUMPENHALTERUNG GR 2 FÜR BOSCH-PUMPEN



- SUPPORTO POMPE BOSCH Gr. 3
- SUPPORTS POUR POMPES BOSCH Gr. 3
- PUMP SUPPORT BOSCH - GROUP 3
- PUMPENHALTERUNG GR 3 FÜR BOSCH-PUMPEN

SERIE: 25407



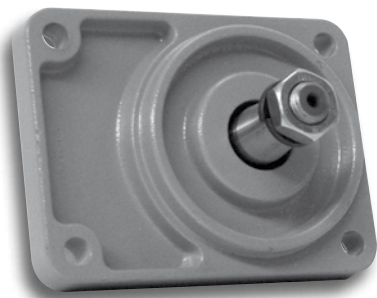
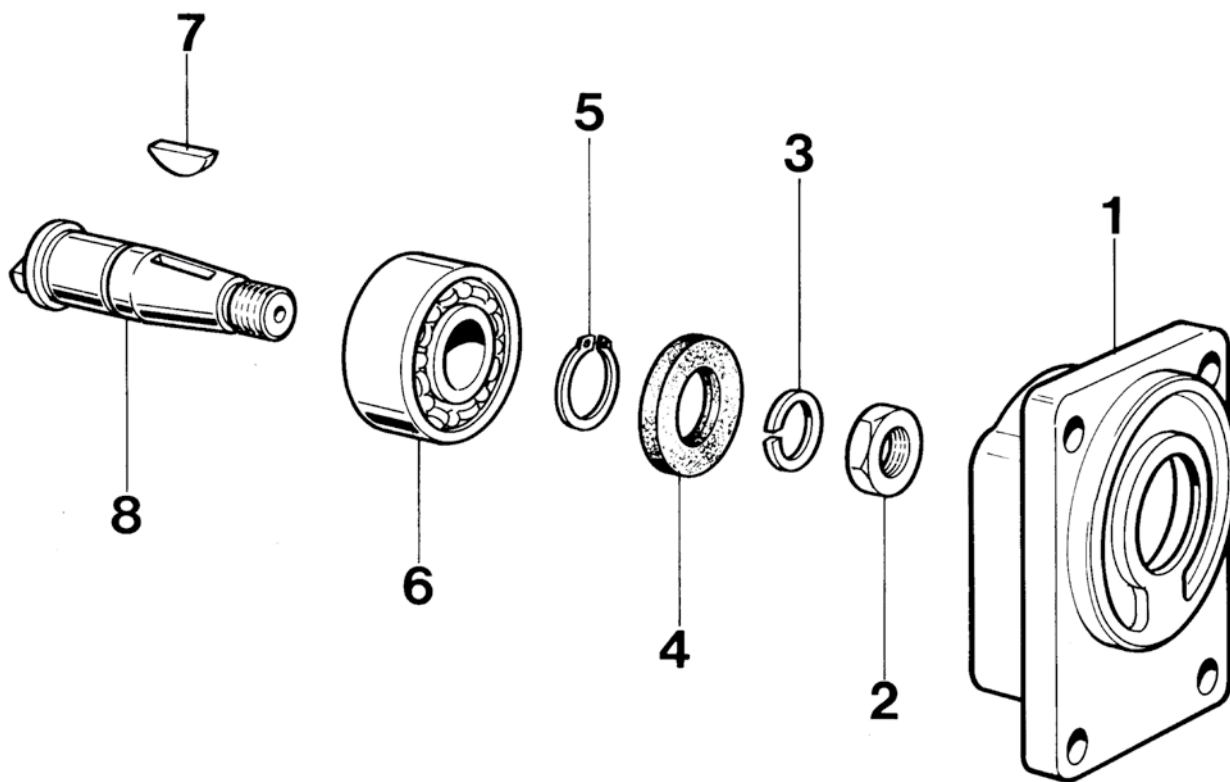
| Pos. | CODICE   | DENOMINAZIONE                  | DENOMINATION                | DESCRIPTION             | BEZEICHNUNG              | Q.TA' |
|------|----------|--------------------------------|-----------------------------|-------------------------|--------------------------|-------|
| 1    | 801600   | Rosetta UNI 8839 - B 16        | Rondelle UNI 8839 B 16      | Washer UNI 8839 B 16    | Rosette UNI 8839 B 16    | 1     |
| 2    | 905000   | Anello seeger UNI 7435 - 50    | Circlip UNI 7435 - 50       | Snap ring UNI 7435 - 50 | Seegerring UNI 7435 - 50 | 2     |
| 3    | 601615   | Dado esagonale normale M16x1,5 | Ecrou M16x1.5               | Nut M16x1.5             | Mutter M16x1.5           | 1     |
| 4    | 401890   | Anello OR 189                  | Bagur torique OR189         | O-Ring 189              | O-Ring 189               | 1     |
| 5    | 424751   | Chiavetta 4x7.5 UNI 6606       | Clavette 4x7.5 UNI 6606     | Key 4x7.5 UNI 6606      | Keil 4x7.5 UNI 6606      | 1     |
| 6    | 503210   | Cuscinetto 3210 A              | Palier 3210 A               | Bearing 3210 A          | Kugellager 3210 A        | 1     |
| 7    | 25007.1B | Scatola                        | Carcasse                    | Housing                 | Gehäuse                  | 1     |
| 8    | 304052   | Anello di tenuta 40x52x7       | Bague d' étanchèité 40x52x7 | Sealing ring 40x52x7    | Dichtring 40x52x7        | 1     |
| 9    | AC03/B50 | Albero                         | Arbre                       | Female                  | Antriebsw                | 1     |
| 10   | 25007/C  | Anello                         | Bague                       | Ring                    | Ring                     | 1     |





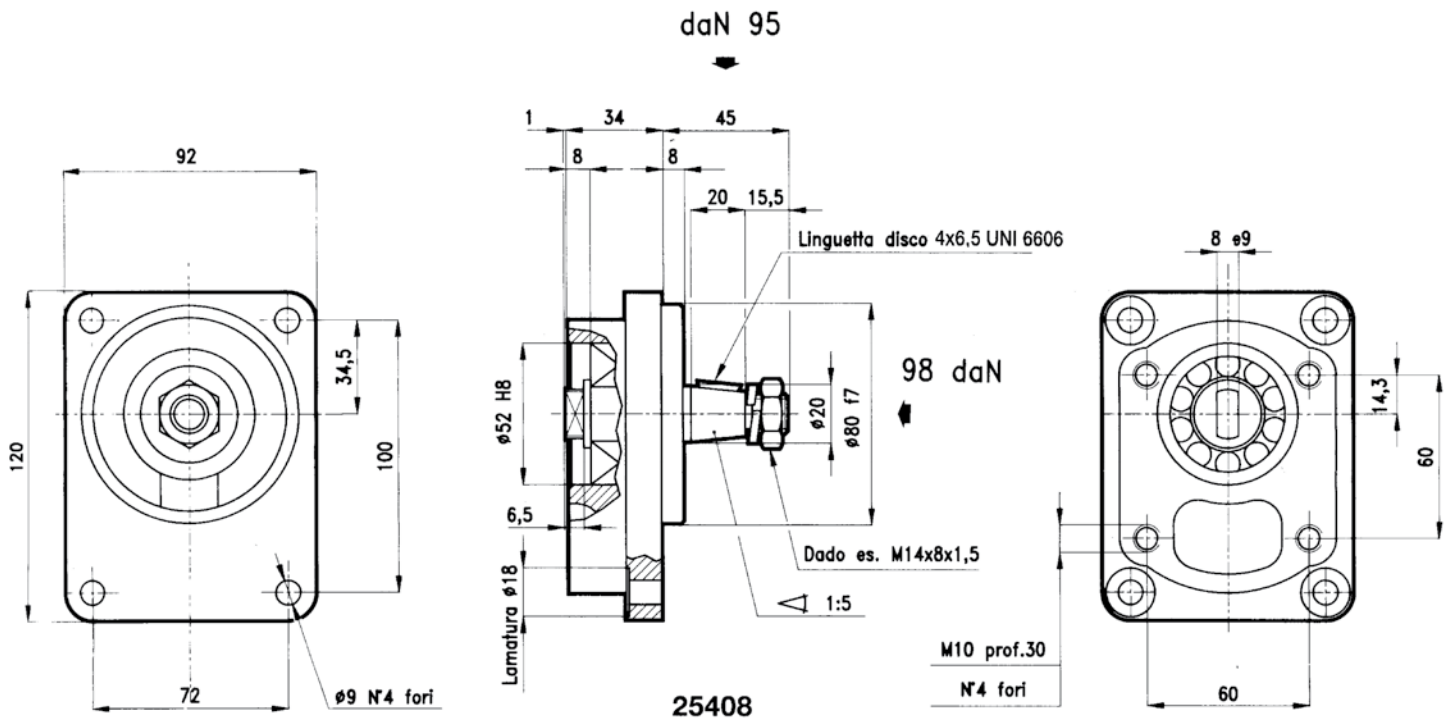
- SUPPORTO POMPE BOSCH Gr. 2
- SUPPORTS POUR POMPES BOSCH Gr. 2
- PUMP SUPPORT BOSCH - GROUP 2
- PUMPENHALTERUNG GR 2 FÜR BOSCH-PUMPEN

SERIE: 25408



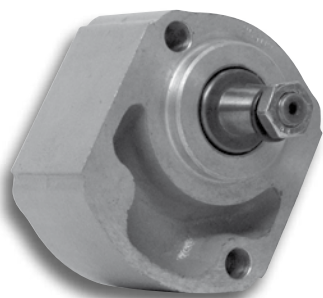
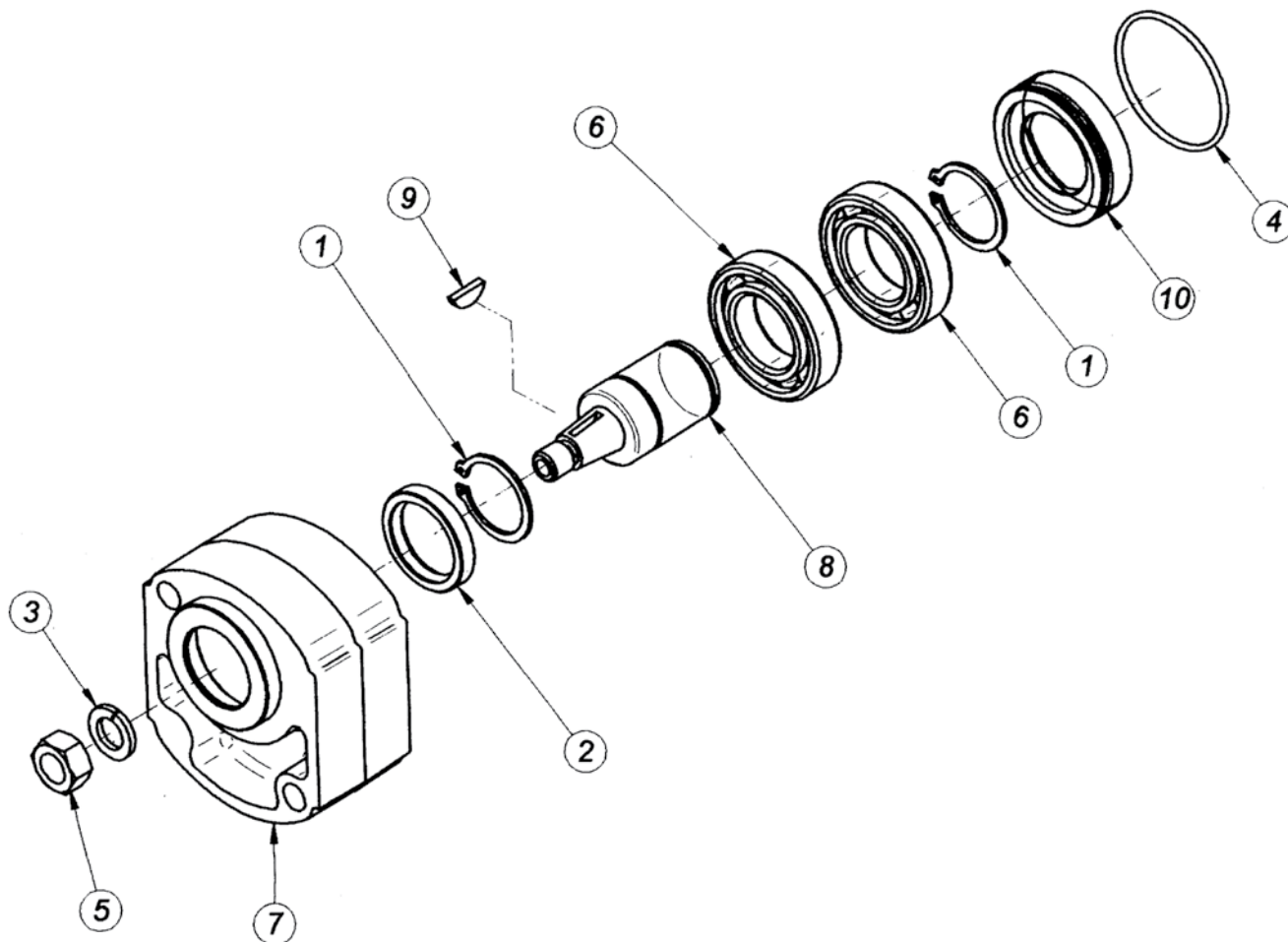
| Pos. | CODICE  | DENOMINAZIONE               | DENOMINATION               | DESCRIPTION             | BEZEICHNUNG              | Q.TA' |
|------|---------|-----------------------------|----------------------------|-------------------------|--------------------------|-------|
| 1    | 25006.2 | Scatola                     | Carcasse                   | Housing                 | Gehäuse                  | 1     |
| 2    | 601415  | Dado UNI 28675 M14X1.5      | Ecrous UNI 28675 M14x1.5   | Nut UNI 28675 M14x1.5   | Mutter UNI 28675 M14x1.5 | 1     |
| 3    | 801400  | Rondella Grower d.14        | Rondelle Grower d.14       | Wascher Grower d.14     | Rosette Grower d.14      | 1     |
| 4    | 302040  | Anello di tenuta 20x40x7    | Bague d'étanchéité 20x40x7 | Sealing Ring 20x40x7    | Dichtring 20x40x7        | 1     |
| 5    | 902000  | Anello seeger UNI 7435 - 20 | Circlip UNI 7435 - 20      | Snap ring UNI 7435 - 20 | Seegerring UNI 7435 - 20 | 1     |
| 6    | 503304  | Cuscinetto 3304 A           | Palier 3304 A              | Bearing 3304 A          | Kugellager 3304 A        | 1     |
| 7    | 700465  | Chiavetta 4x6.5x16 UNI 6606 | Clavette 4x6.5x16 UNI 6606 | Key 4x6.5x16 UNI 6606   | Keil 4x6.5x16 UNI 6606   | 1     |
| 8    | ACO2/S  | Albero                      | Arbre                      | Female                  | Antriebsw                | 1     |

- SUPPORTO POMPE BOSCH Gr. 2
- SUPPORTS POUR POMPES BOSCH Gr. 2
- PUMP SUPPORT BOSCH - GROUP 2
- PUMPENHALTERUNG GR 2 FÜR BOSCH-PUMPEN



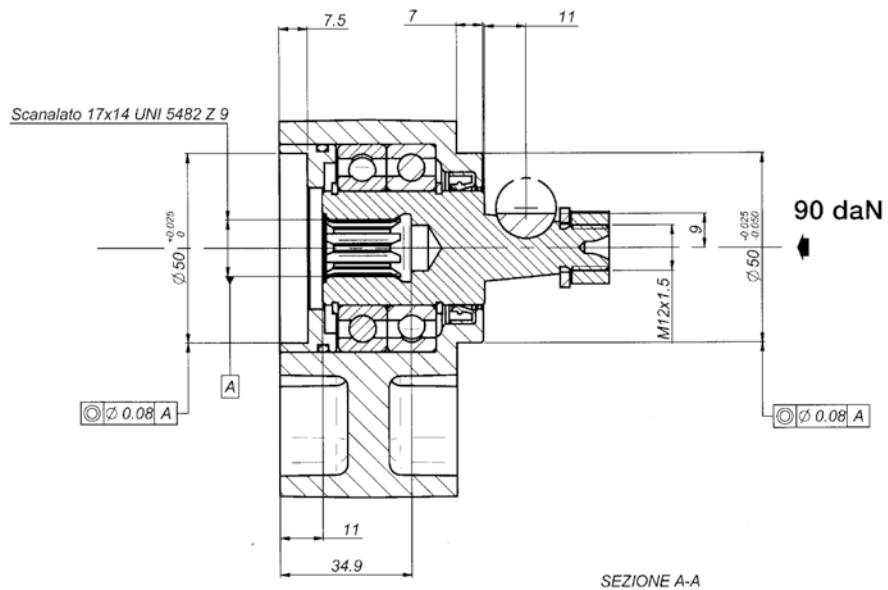
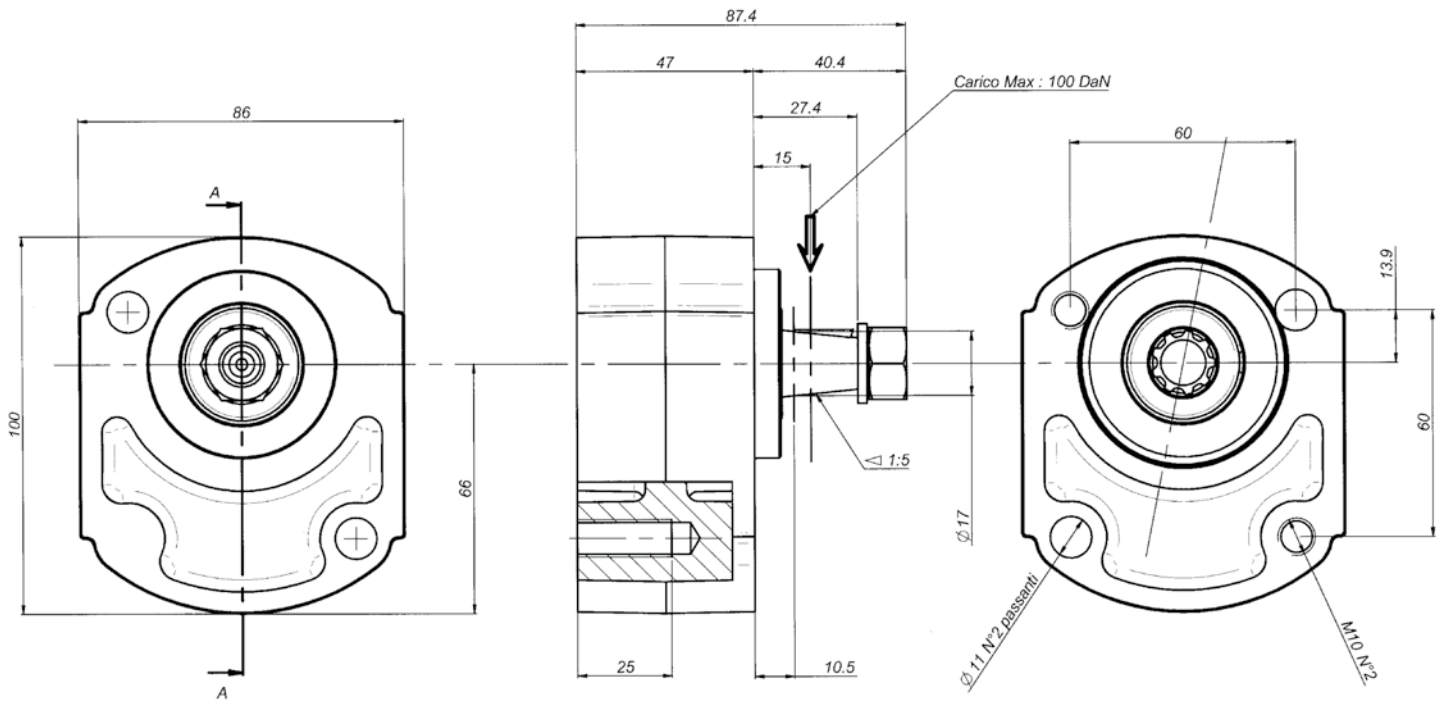
- SUPPORTO POMPE Gr. 2
- SUPPORT POUR POMPE Gr. 2
- PUMP SUPPORT - GROUP 2
- PUMPENHALTERUNG MIT KEGELWELLE GR 2

SERIE: 25409



| Pos. | CODICE    | DENOMINAZIONE               | DENOMINATION               | DESCRIPTION             | BEZEICHNUNG                 | Q.TA' |
|------|-----------|-----------------------------|----------------------------|-------------------------|-----------------------------|-------|
| 1    | 903000    | Anello seeger UNI 7435 - 30 | Circlip UNI 7435 - 30      | Snap ring UNI 7435 - 30 | Seegering UNI 7435 - 30     | 2     |
| 2    | 303040    | Anello di tenuta 30x40x7    | Bague d'etancheite 30x40x7 | Sealing ring 30x40x7    | Dichtring , durchm. 30x40x7 | 1     |
| 3    | 801200    | Rosetta d.12.5              | Rondelle d.12.5            | Washer d.12.5           | Rosette d.12.5              | 1     |
| 4    | 403200    | Anello OR                   | Bague torique              | O-ring                  | O-ring                      | 1     |
| 5    | 601215    | Dado M12                    | Ecrous M12                 | Nut M12                 | Mutter M12                  | 1     |
| 6    | 506006    | Cuscinetto 6006             | Palier 6006                | Bearing 6006            | Kugellager 6006             | 2     |
| 7    | 25006.3   | Scatola                     | Carcasse                   | Housing                 | Gehause                     | 1     |
| 8    | AC02/1714 | Albero                      | Arbre                      | Female                  | Antriebsw                   | 1     |
| 9    | 700365    | Chiavetta 3x6.5             | Clavette 3x6.5             | Key 3x6.5               | Keil 3x6.5                  | 1     |
| 10   | COPO55    | Anello                      | Bague                      | Ring                    | Ring                        | 1     |

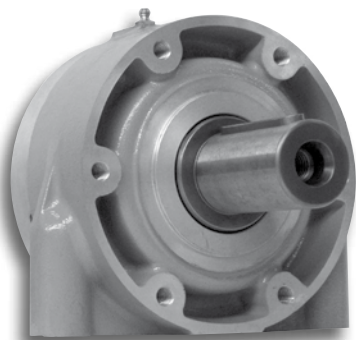
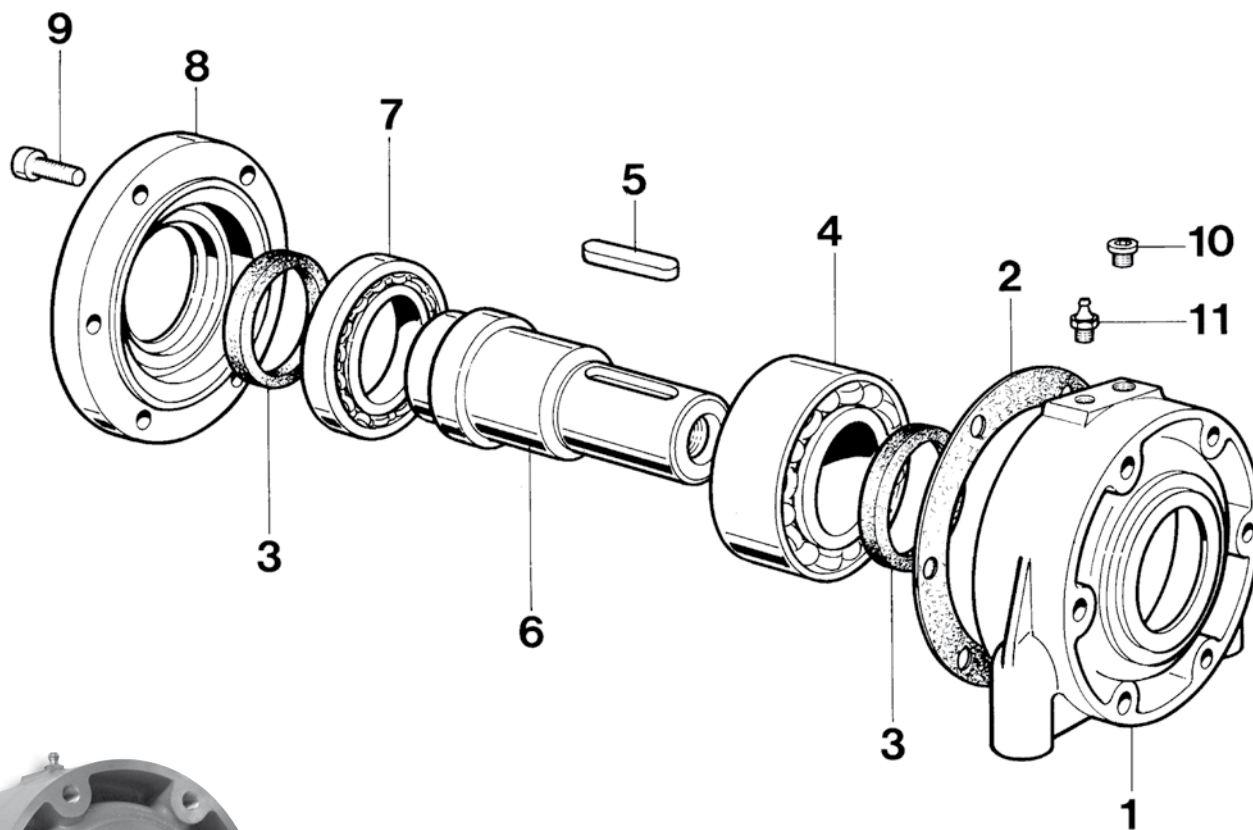
- SUPPORTO POMPE Gr. 2
- SUPPORT POUR POMPE Gr. 2
- PUMP SUPPORT - GROUP 2
- PUMPENHALTERUNG MIT KEGELWELLE GR 2



25409

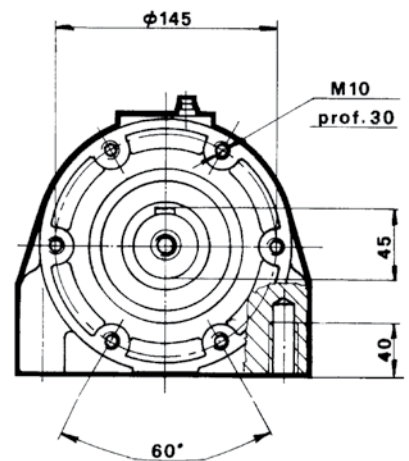
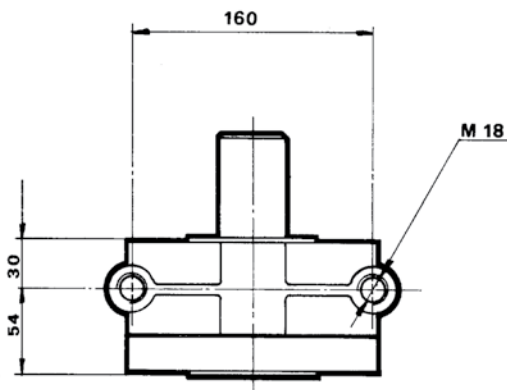
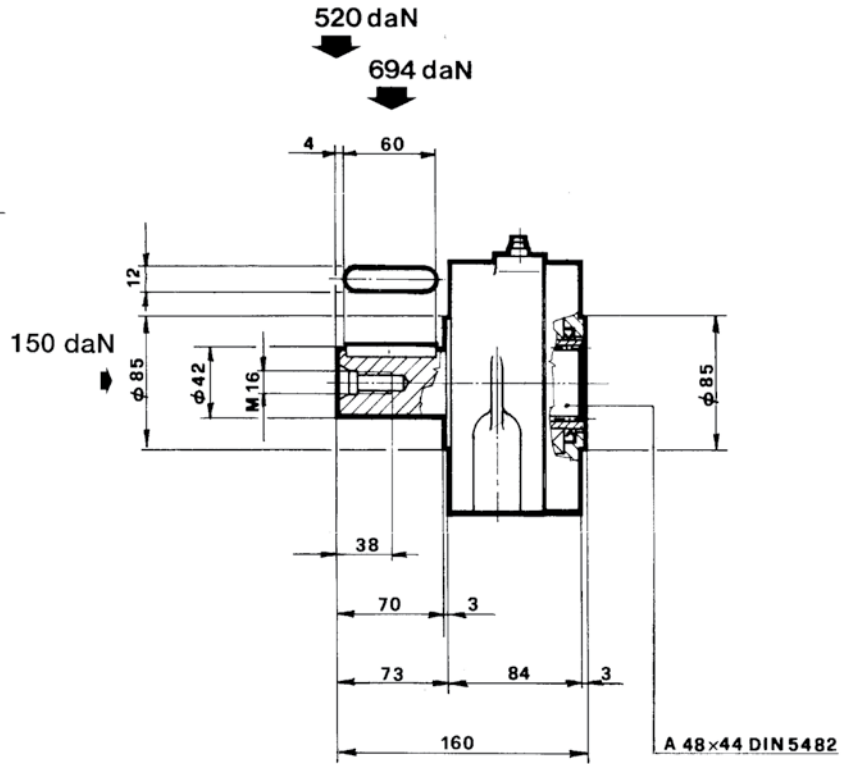
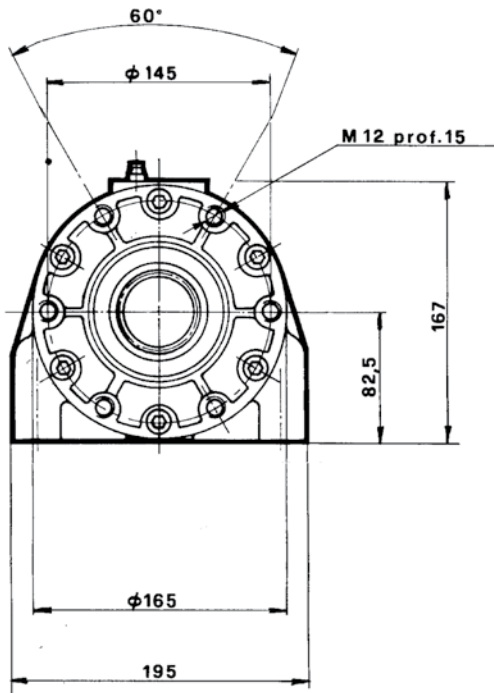
- SUPPORTO POMPE Gr. 4 UNIVERSALE
- SUPPORT POUR POMPE Gr. 4
- PUMP SUPPORT - GROUP 4
- PUMPENHALTERUNG MIT KEGELWELLE GR 4

SERIE: 25609



| Pos. | CODICE   | DENOMINAZIONE                   | DENOMINATION                  | DESCRIPTION                      | BEZEICHNUNG                                    | Q.TA' |
|------|----------|---------------------------------|-------------------------------|----------------------------------|--|-------|
| 1    | 25009.1  | Scatola                         | Carcasse                      | Housing                          | Gehäuse  | 1     |
| 2    | 30470.2  | Guarnizione                     | Joint                         | Gasket                           | Dichtung                                       | 1     |
| 3    | 306075   | Anello di tenuta 60x75x8        | Bague d'étanchéité 60x75x8    | Sealing Ring 60x75x8             | Dichtring 60x75x8                              | 2     |
| 4    | 503212/Z | Cuscinetto 3212 A               | Palier 3212 A                 | Bearing 3212 A                   | Kugellager 3212 A                              | 1     |
| 5    | 421286   | Chiavetta 12x8x60 UNI 6604      | Clavette 12x8x60 UNI 6604     | Key 12x8x60 UNI 6604             | Keil 12x8x60 UNI 6604                          | 1     |
| 6    | AC 42    | Albero D=42                     | Arbre d=42                    | Female d=42                      | Antriebsw d=42                                 | 1     |
| 7    | 501601   | Cuscinetto 16012 A              | Palier 16012 A                | Bearing 16012 A                  | Kugellager 16012 A                             | 1     |
| 8    | 30470    | Flangia                         | Bride                         | Flange                           | Flansch  | 1     |
| 9    | 611025   | Vite TCEI M10x25                | Vis TCHC M10x25               | Socket Capscrew M10x25           | Zylinderkopfschraube mit innensechskant M10x25 | 6     |
| 10   | 940182   | Tappo scarico olio 1/8" G       | Bouchon vidange huile 1/8" G  | Oil drain plug 1/8" G            | Ölablaßschraube 1/8" G                         | 1     |
| 11   | 500000.1 | Ingrassatore UNI 7663-A M8x1.25 | Graisseur UNI 7663- A M8x1.25 | Grease nipple UNI 7663-A M8x1.25 | Fettbuchse UNI 7663-A M8x1.25                  | 1     |

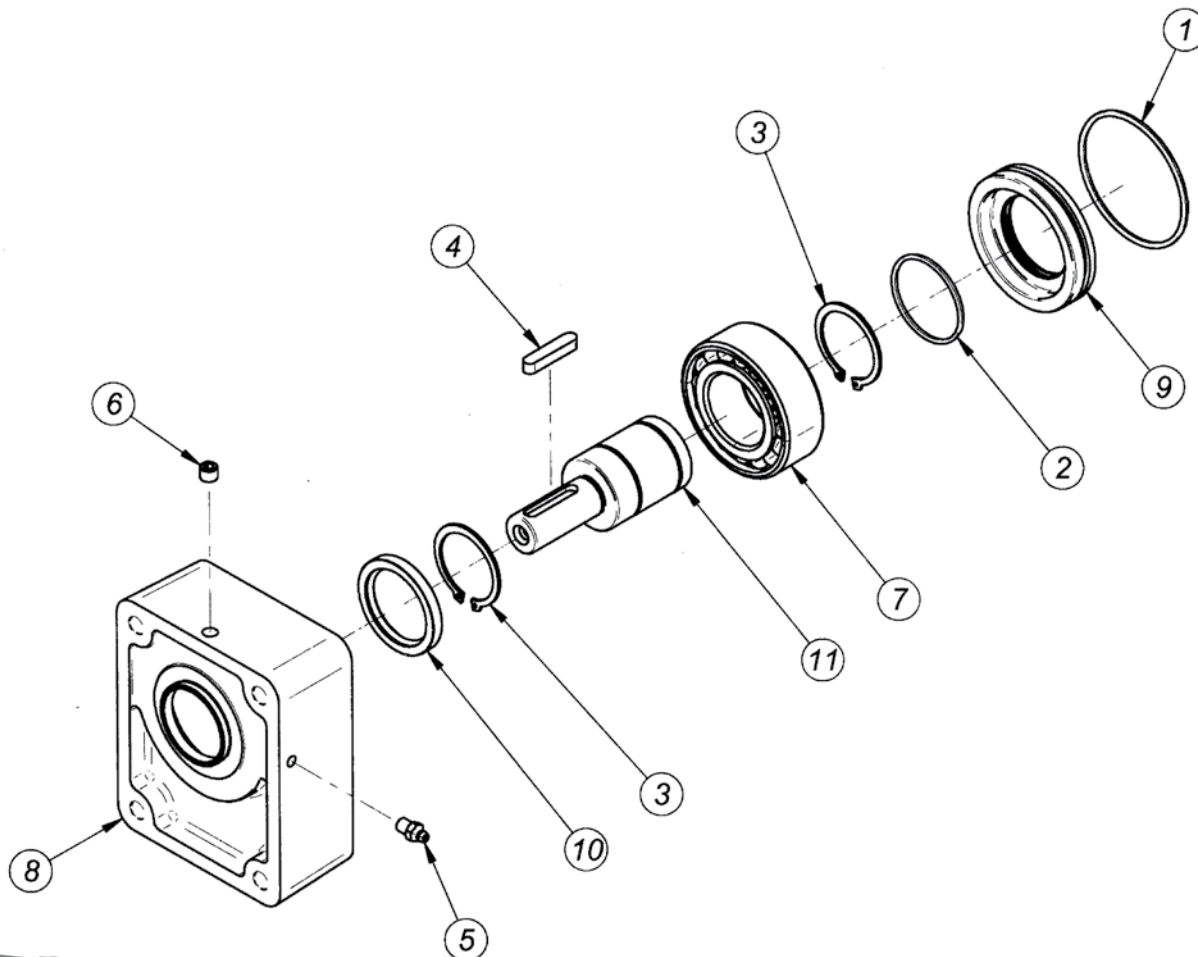
- SUPPORTO POMPE Gr. 4 UNIVERSALE
- SUPPORT POUR POMPE Gr. 4
- PUMP SUPPORT - GROUP 4
- PUMPENHALTERUNG MIT KEGELWELLE GR 4



25609

- SUPPORTO IN GHISA POMPE Gr. 3
- SUPPORT EN FONTE POUR POMPE Gr. 3
- CAST IRON PUMP SUPPORT Gr. 3
- GUSSPUMPENHALTERUNG MIT KEGELWELLE Gr. 3

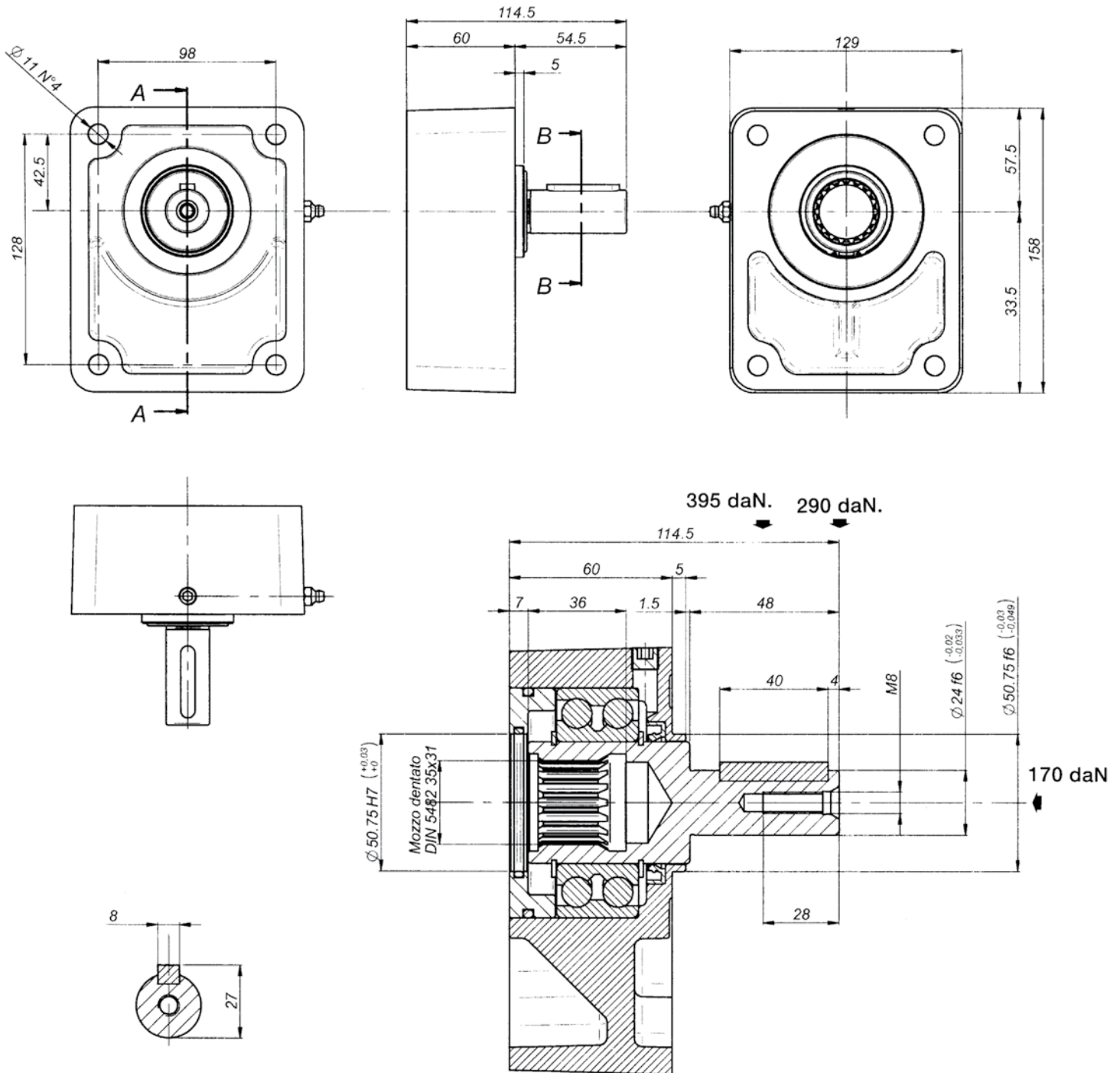
SERIE: 25610/24



| Pos. | CODICE   | DENOMINAZIONE            | DENOMINATION               | DESCRIPTION          | BEZEICHNUNG           | Q.TA' |
|------|----------|--------------------------|----------------------------|----------------------|-----------------------|-------|
| 1    | 404300   | Anello OR                | Bague torique              | O-Ring               | O-Ring                | 1     |
| 2    | 403200   | Anello OR 3200           | Bague torique 3200         | O-Ring 3200          | O-Ring 3200           | 1     |
| 3    | 904500   | Anello elastico d.45     | Circlip d.45               | Snap ring d.45       | Seegerring d.45       | 2     |
| 4    | 428740   | Chiavetta 8x7x40         | Clavette 8x7x40            | Key 8x7x40           | Keil 8x7x40           | 1     |
| 5    | 500000.1 | Ingrassatore M8          | Engraisseur M8             | Fattener M8          | Fattener M8           | 1     |
| 6    | 940182   | Tappo M10x1              | Bouchon M10x1              | Oil drain M10x1      | Olablabschraube M10x1 | 1     |
| 7    | 503209   | Cuscinetto 3209 A        | Palier 3209 A              | Bearing 3209 A       | Kugellager 3209 A     | 1     |
| 8    | 28000.1  | Scatola                  | Carcasse                   | Housing              | Gehäuse               | 1     |
| 9    | COPO85   | Anello                   | Bague                      | Ring                 | Ring                  | 1     |
| 10   | 304560   | Anello di tenuta 45x60x7 | Bague d'étanchéité 45x60x7 | Sealing ring 45x60x7 | Dichtring 45x60x7     | 1     |
| 11   | AC24/G   | Albero d.24              | Arbre d.24                 | Female d.24          | Antriebsw d.24        | 1     |



- SUPPORTO IN GHISA POMPE Gr. 3
- SUPPORT EN FONTE POUR POMPE Gr. 3
- CAST IRON PUMP SUPPORT Gr. 3
- GUSSPUMPENHALTERUNG MIT KEGELWELLE Gr. 3



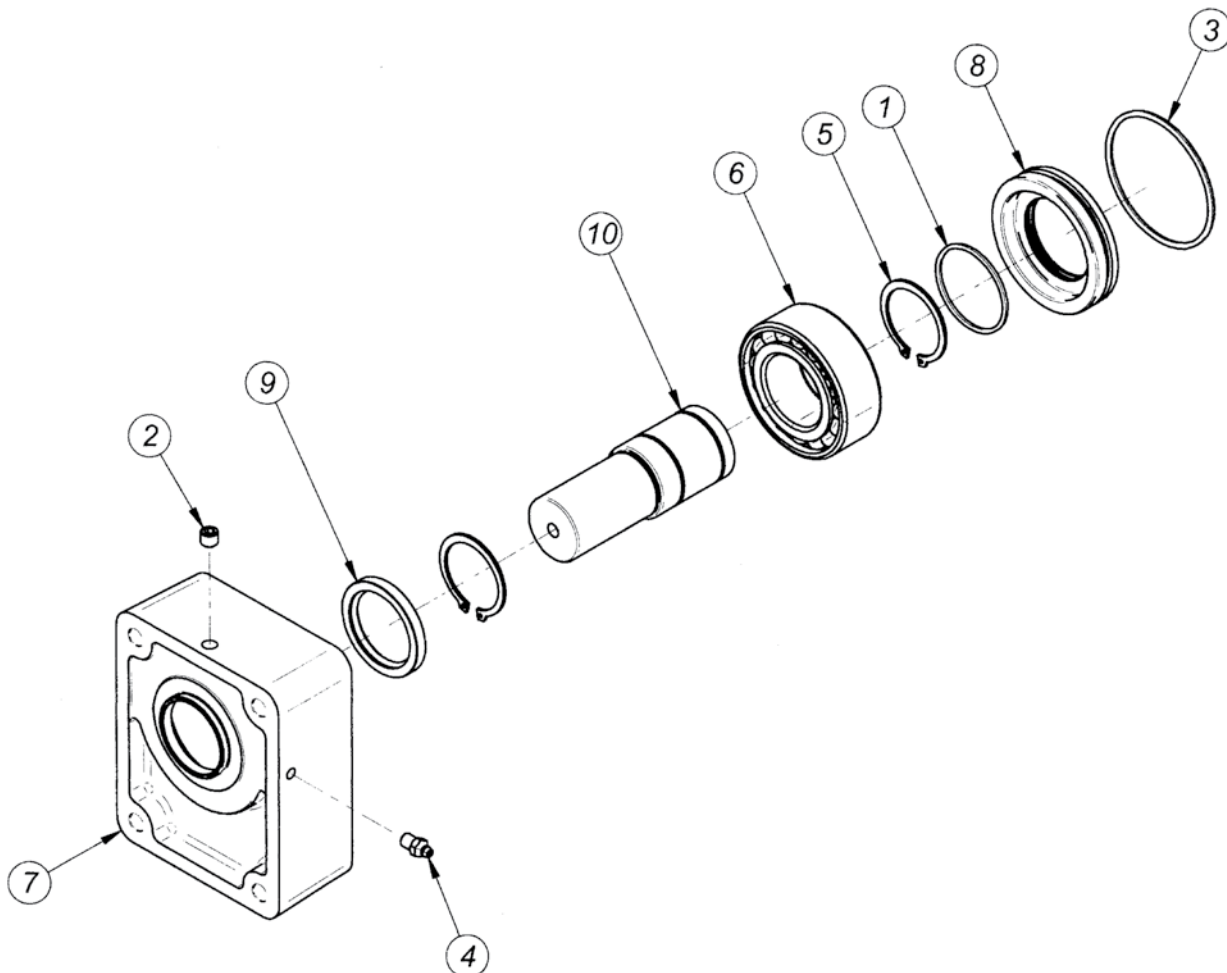
SEZ.: B-B  
1:2

25610/24

SEZ.: A-A  
1:2

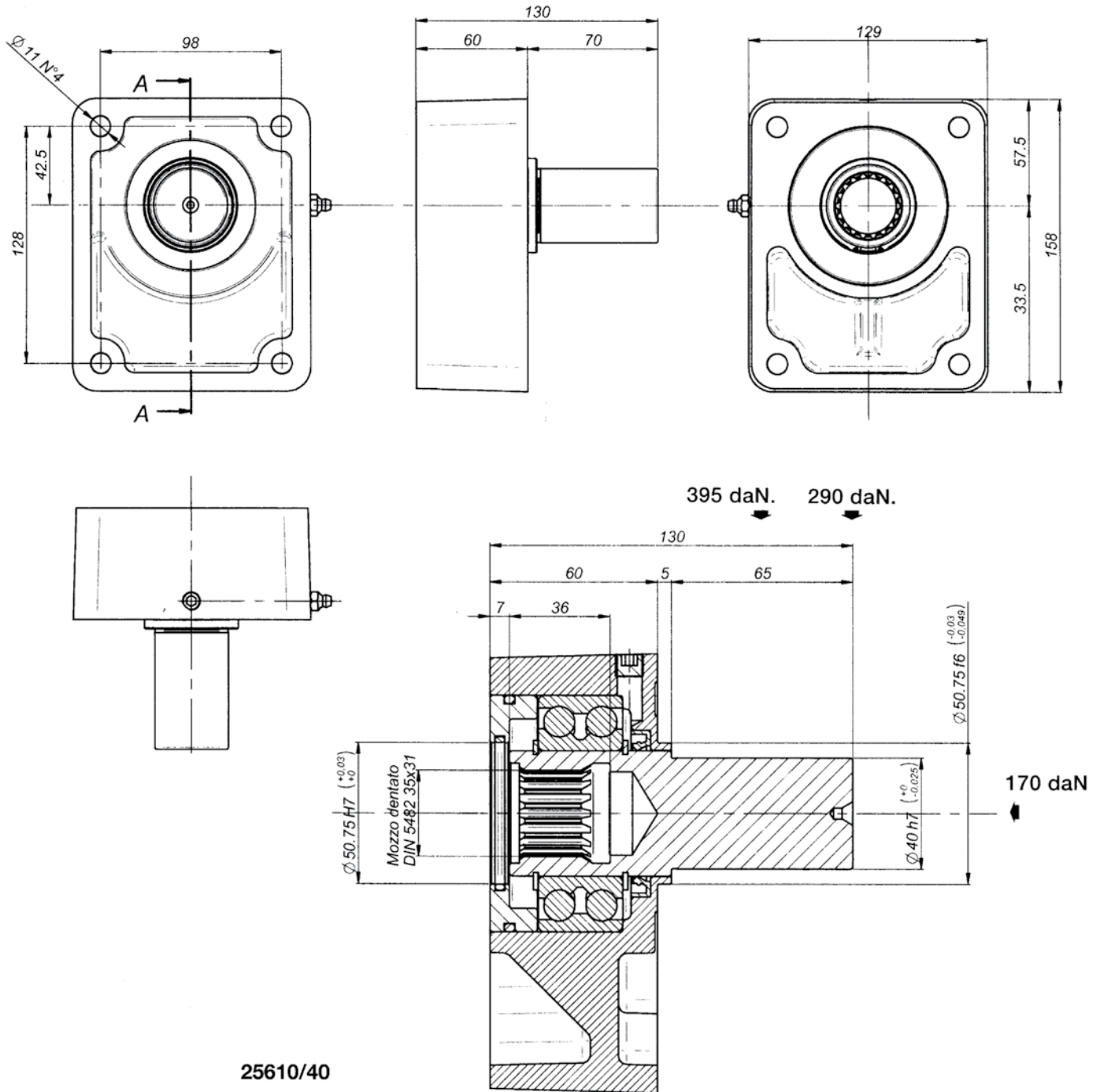
- SUPPORTO IN GHISA POMPE Gr. 3
- SUPPORT EN FONTE POUR POMPE Gr. 3
- CAST IRON PUMP SUPPORT Gr. 3
- GUSSPUMPENHALTERUNG MIT KEGELWELLE Gr. 3

SERIE: 25610/40



| Pos. | CODICE   | DENOMINAZIONE            | DENOMINATION                | DESCRIPTION          | BEZEICHNUNG          | Q.TA' |
|------|----------|--------------------------|-----------------------------|----------------------|----------------------|-------|
| 1    | 403200   | Anello OR 3200           | Bague torique 3200          | O-Ring 3200          | O-Ring 3200          | 1     |
| 2    | 940182   | Tappo M10x1              | Bouchon M10x1               | Oil drain M10x1      | Olalabschraube M10x1 | 1     |
| 3    | 404300   | Anello OR                | Bague torique               | O-Ring               | O-Ring               | 1     |
| 4    | 500000.1 | Ingrassatore M8          | Engraisseur M8              | Fattener M8          | Fattener M8          | 1     |
| 5    | 904500   | Anello elastico d.45     | Circlip d.45                | Snap ring d.45       | Seegerring d.45      | 2     |
| 6    | 503209   | Cuscinetto 3209 A        | Palier 3209 A               | Bearing 3209 A       | Kugellager 3209 A    | 1     |
| 7    | 28000.1  | Scatola                  | Carcasse                    | Housing              | Gehäuse              | 1     |
| 8    | COPO85   | Anello                   | Bague                       | Ring                 | Ring                 | 1     |
| 9    | 304560   | Anello di tenuta 45x60x7 | Bague d' étanchèité 45x60x7 | Sealing ring 45x60x7 | Dichtring 45x60x7    | 1     |
| 10   | AC40     | Albero d.40              | Arbre d.40                  | Female d.40          | Antriebsw d.40       | 1     |

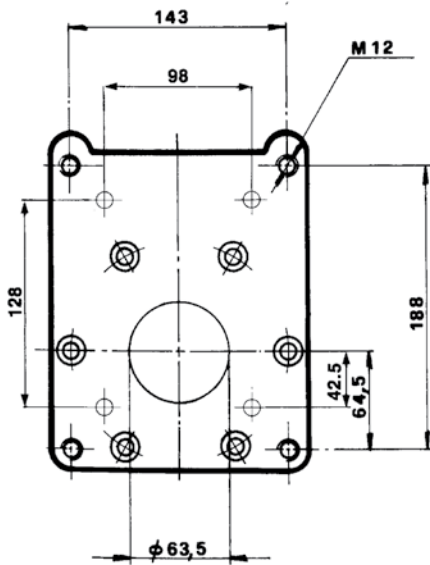
- SUPPORTO IN GHISA POMPE Gr. 3
- SUPPORT EN FONTE POUR POMPE Gr. 3
- CAST IRON PUMP SUPPORT Gr. 3
- GUSSPUMPENHALTERUNG MIT KEGELWELLE Gr. 3



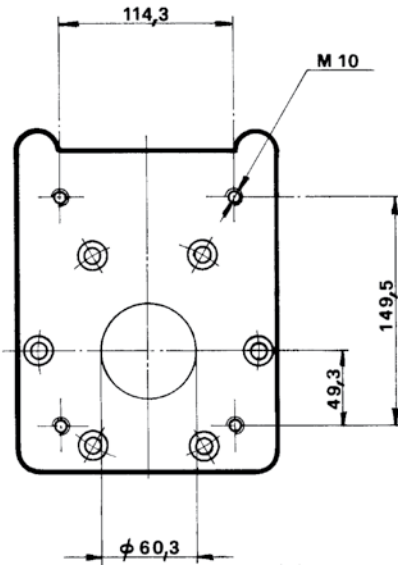
25610/40

SEZIONE A-A

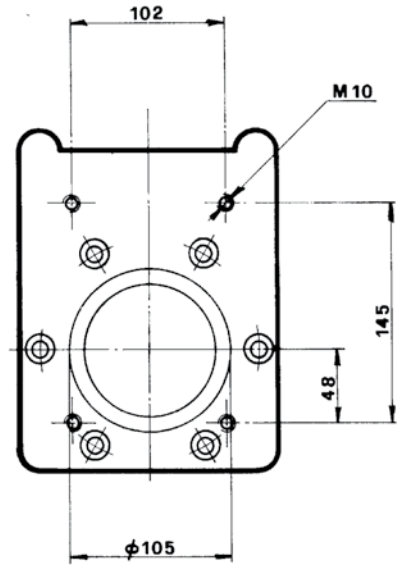
- FLANGIE PER SUPPORTI POMPE Gr. 4 UNIVERSALE
- BRIDES POUR SUPPORTS POUR POMPES Gr. 4
  - FLANGES FOR PUMP SUPPORTS GROUP 4
  - FLANSCH FÜR PUMPENHALTERUNGEN GR 4



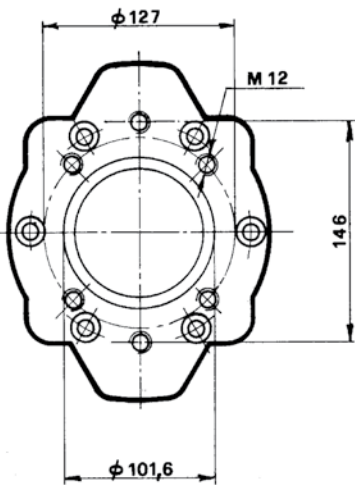
4 P 30403  
3 P 30401



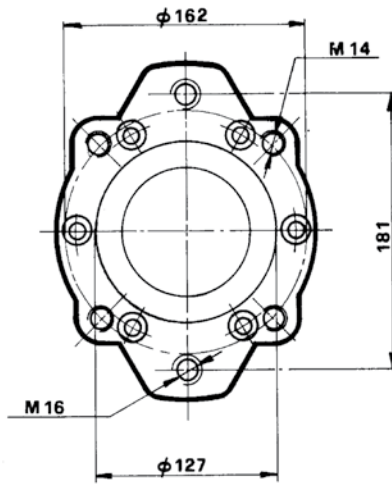
3,5 P 30402



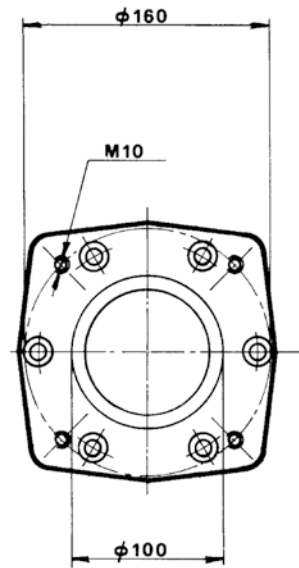
Bosch ZG3 30417



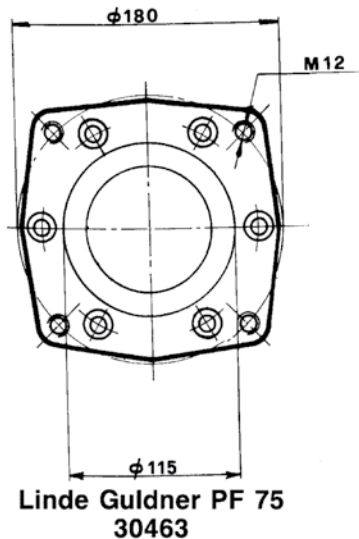
SAE B 2-4 fori  
30421 - 30422



SAE C 2-4 fori  
30431 - 30432



Linde Guldner PF 20-35-50  
30461 - 30462



Linde Guldner PF 75  
30463