

# PNEUMATIC PRESS

---



## Features

- \* The cylinder is identical to ISO6431 standard.
- \* Magnet is optional accessory, and sensor switch is available to be installed.
- \* Model no. P100 is light and compact, suitable for small size press.
- \* The cushions are installed on both ends for stable operation.
- \* We accept the order without cushions, please make a note of it on purchase order.
- \* Strong body and simple maintenance.
- \* It is available to install quick exhaust valve for speed up operation.
- \* Guide rod is installed for prevention of piston rod rotate.
- \* Hand control or foot control at your selection.



## How to order

P100

-

60

S

2

### Pneumatic press

P100
P200
P300

### Series

Type	Stroke
60	50mm
100	50mm
200	100mm
300	100mm
500	100mm
900	100mm

### Solenoid

Single solenoid
-----------------

### Voltage

1	110VAC
2	220VAC
9	24VDC

## Specifications

Model	P100-60	P100-100	P200-100	P200-200	P200-300	P300-500	P300-900
Port size	1 / 4"		3 / 8"			1 / 2"	
Fluid	Compressed air						
Stroke	50mm		50mm	100mm		100mm	
Cylinder bore size	φ 50mm	φ 63mm	φ 63mm	φ 80mm	φ 100mm	φ 125mm	φ 160mm
Stroke adjustment	25.5mm						
Air consumption liter	1.2	2	4	6	10	15	32
Operating pressure range	1.5~9.5 kgf/cm <sup>2</sup>						
Working height	150		170			250	
Ambient temperature	-10°C ~ 60°C						
Voltage tolerance	±10%						
Standard voltage	220VAC, 110VAC, 24VDC						
Weight	20 kg	20.3 kg	39 kg	43 kg	47 kg	90 kg	105 kg

## Theoretic force of press

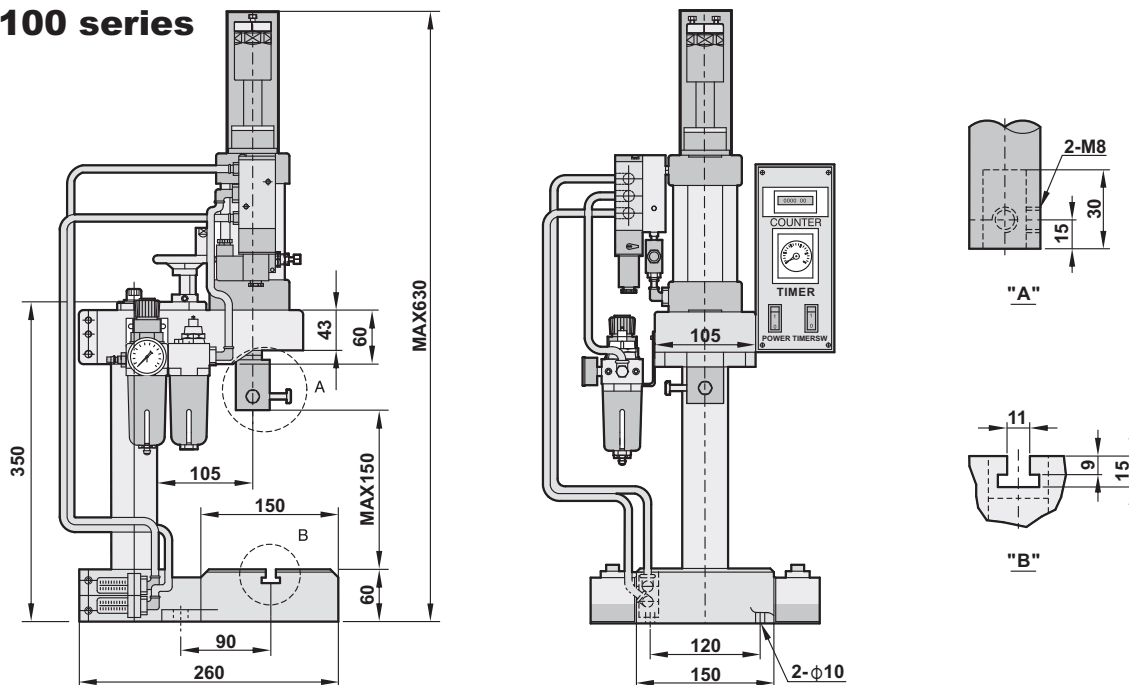
Operating pressure			P 100-60			P 100-100		
			Theoretic force of press			Theoretic force of press		
Mpa	KG	PSI	N	KG	LB	N	KG	LB
0.4	4	57	774	79	174	1255	125	275
0.5	5	71	960	98	216	1523	156	344
0.6	6	85	1156	118	260	1833	187	412
0.7	7	100	1343	137	302	2136	218	480

Operating pressure			P 200-100			P 200-200			P 200-300		
			Theoretic force of press			Theoretic force of press			Theoretic force of press		
Mpa	KG	PSI	N	KG	LB	N	KG	LB	N	KG	LB
0.4	4	57	1225	125	275	1775	181	400	2883	294	649
0.5	5	71	1523	156	344	2226	227	500	3609	368	811
0.6	6	85	1833	187	412	2668	272	600	4335	442	974
0.7	7	100	2136	218	480	3109	317	700	5051	415	1136

Operating pressure			P 300-500			P 300-900		
			Theoretic force of press			Theoretic force of press		
Mpa	KG	PSI	N	KG	LB	N	KG	LB
0.4	4	57	4413	450	992	7879	804	1771
0.5	5	71	5521	563	1241	9849	1105	2213
0.6	6	85	6620	675	1488	11819	1206	2656
0.7	7	100	7728	788	1737	13789	1407	3099

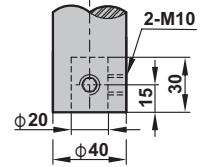
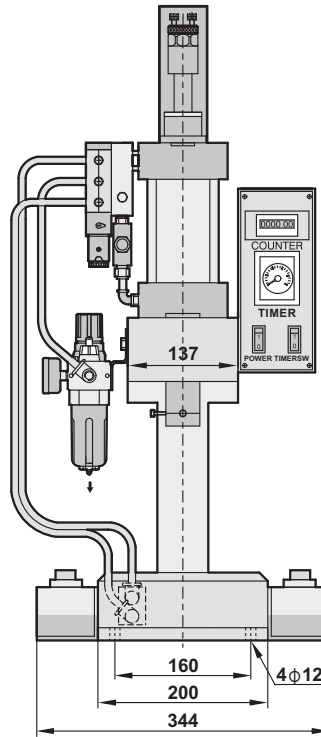
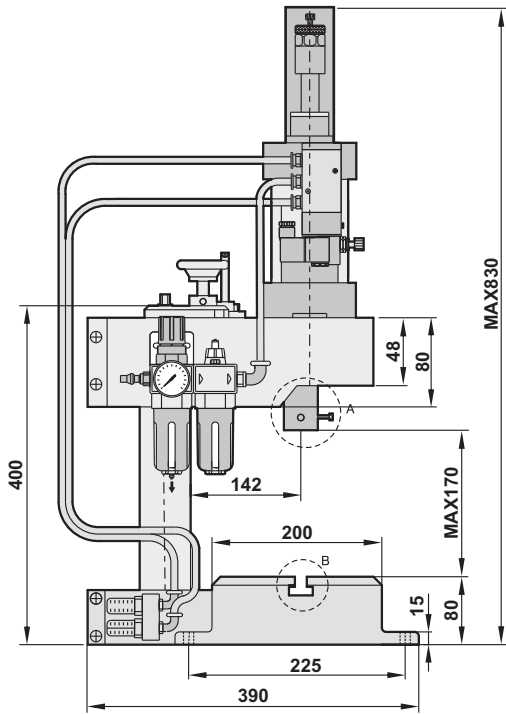
## Dimensions

### P100 series

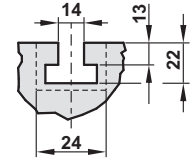


## Dimensions

### P200 series

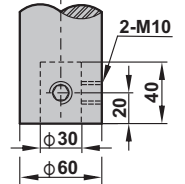
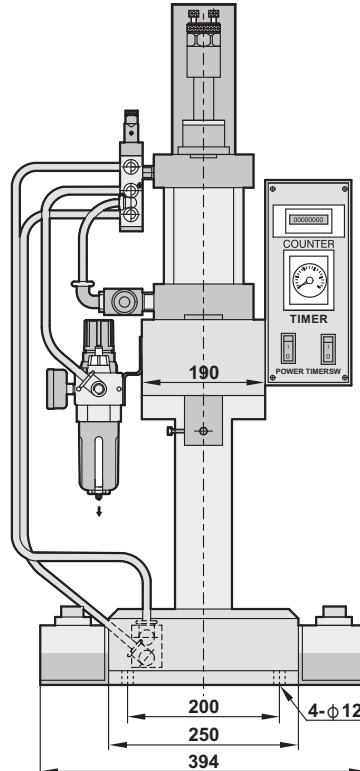
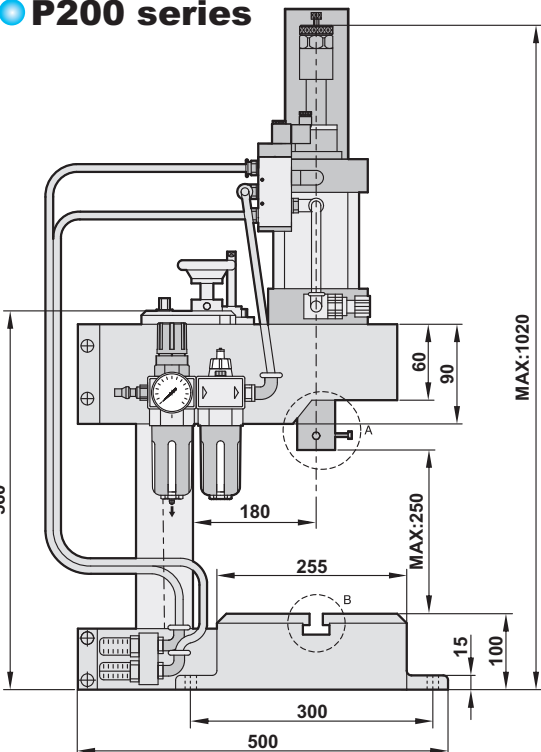


"A"

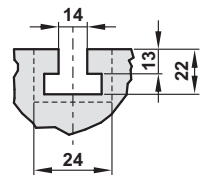


"B"

### P200 series



"A"



"B"

## Introduction

ISO6431 cylinder adopts high quality seals made in Germany, it features stable, smooth and durable operation.

For stroke adjustment, please loosen fixed screws, then lock screws after complete adjustment.

Specific manifold and Namur valve.

Counter for quantity control of production.

Solenoid valve operation can be automatic or manual.

Timer for working time control.

Speed control valve for working speed setting.

Timer switch. Switch on is for automatic operation, and switch off is for manual operation.

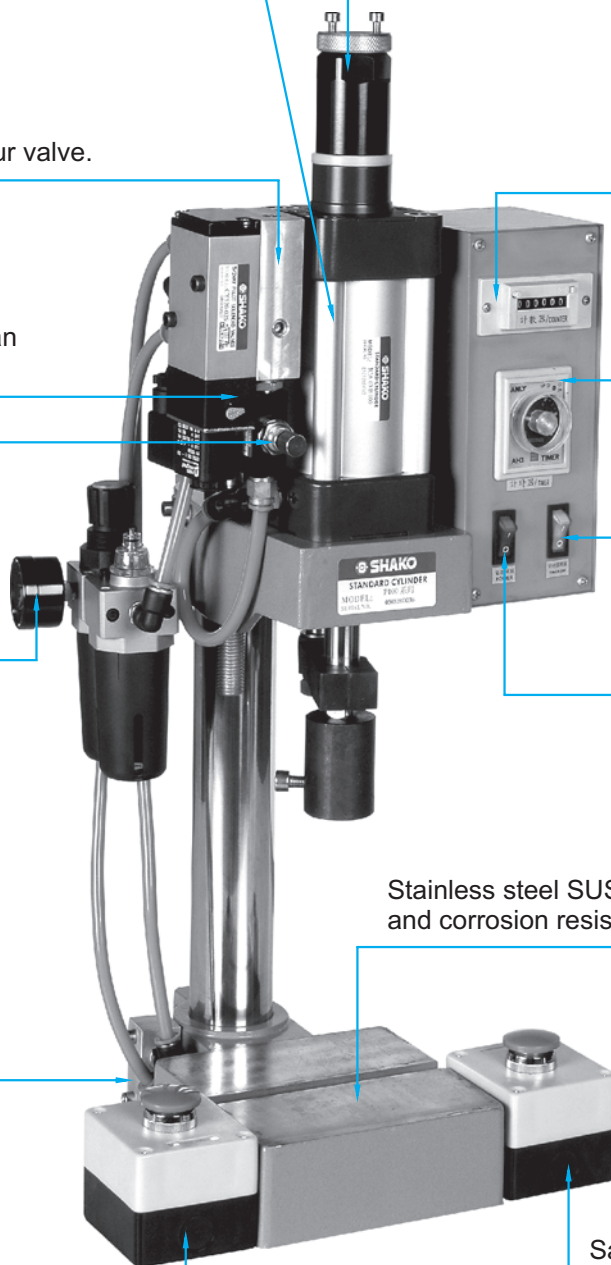
FRL air treatments ensure stable air quality.

Power switch.

Silencer is for pollution and noise reduction.

Stainless steel SUS316 working table is strong and corrosion resistance .

Safety button  
(For safety concerns, press left and right button at same time to operate.)



## ALPHABETICAL INDEX . . . . .

Model	Description	Page
AD940	Automatic drain	1-9
AHS	Booster	5-108
AM325	3/2 way direct solenoid valve	2-26
AM520	5/2, 5/3 way 18mm pilot solenoid valve	2-6
AOF	Air-hydro converter	5-112
BM520	5/2, 5/3 way 22mm pilot solenoid valve	2-10
C	Check valve	6-5
CY520	5/2 way pilot solenoid valve(Namur valve)	2-25
DA	Shock absorber	6-15
DC220	2/2 way dust collector valve	3-18
DR	Double rod cylinder	5-54
EC	Silencer muffler type	6-9
EN	Silencer plastic type	6-8
EP	Silencer breather vents type	6-9
ES	Silencer exhaust speed control type	6-8
EV	Silencer vibration type	6-8
F200A	Miniature filter(Polycarbonate)	1-27
F200B	Miniature filter(Aluminum alloy)	1-22
FR500A	Miniature filter regulator(Polycarbonate)	1-26
FR500B	Miniature filter regulator(Aluminum alloy)	1-21
FRL600A	Miniature FRL combinations(Polycarbonate)	1-24
FRL600B	Miniature FRL combinations(Aluminum alloy)	1-18
FRL700A	Miniature filter regulator(Polycarbonate)	1-24
FRL700B	Miniature filter regulator(Aluminum alloy)	1-18
FSV8632	1/4", 5/2, 3/2 way foot pedal valve	4-10
GC	Guide cylinder	5-64
HPS	Mini chuck	5-90
HYC	Mini chuck	5-96
IC	ISO6431 standard cylinder	5-2
JC	Jig cylinder	5-40
L200A	Miniature lubricator(Polycarbonate)	1-28
L200B	Miniature lubricator(Aluminum alloy)	1-23
MSV30132	1/8", 3/2 way mechanical valve	4-18
MSV40152	1/8", 5/2 way mechanical valve	4-20

Model	Description	Page
MSV8632	1/8", 3/2 way mechanical valve	4-12
MSV8652	1/8" 1/4", 5/2 way mechanical valve	4-16
MSV9832	1/4", 3/2 way mechanical valve	4-14
NR200	Miniature regulator	1-30
NY	Nylon tube	6-14
P100, P200, P300	Pneumatic press	8-2
PC	ISO6432 stainless steel miniature cylinder	5-20
PCL	ISO6432 aluminum miniature cylinder	5-30
PE220	2/2 way anti-acid & alkali solenoid valve	3-14
PM521	M3, 5/2 way 10mm pilot solenoid valve	2-2
PS520	5/2 way ISO series solenoid valve	2-20
PU	PU tube	6-14
PU220A	2/2 way brass direct solenoid valve	3-4
PU220AR	2/2 way brass direct solenoid valve	3-2
PU225A	2/2 way brass pilot solenoid valve	3-8
PU225S	2/2 way steam valve	3-12
PU320	3/2 way direct solenoid valve	2-27
PU322	3/2 way pilot solenoid valve	2-22
PU520A	5/2 way external pilot solenoid valve	2-24
PU520	5/2, 5/3 way PU series pilot solenoid valve	2-12
PU521	M5, 5/2 way 15mm pilot solenoid valve	2-4
Q	Quick exhaust valve	6-6
R200	Miniature regulator	1-29
RCP	Rodless magnetic cylinder	5-70
RTH	Rotary cylinder	5-102
S	Speed control valve	6-2
SA520	5/2, 5/3 way 18mm pneumatic valve	2-29
SB520	5/2, 5/3 way 22mm pneumatic valve	2-30
SC	Stopper cylinder	5-88
SCY221	Cylinder actuated ball valve	3-16
SHV	Shut-off valve	1-46
SK320	3/2 way pneumatic valve	2-31
SK520	5/2, 5/3 way pneumatic valve	2-32
SM520	5/2, 5/3 way 18mm pilot solenoid valve	2-8
SOB52	5/2, 5/3 way shut-off block	2-16

## ALPHABETICAL INDEX . . . . .

Model	Description	Page
SPU220A	2/2 way stainless steel direct solenoid valve	3-6
SPU225A	2/2 way stainless steel pilot solenoid valve	3-10
SPU520	5/2 way stainless steel solenoid valve	2-18
SSF200	Stainless steel miniature filter	1-45
SSFR500	Stainless steel miniature filter regulator	1-43
SSFRL600	Stainless steel miniature FRL combinations	1-42
SSL200	Stainless steel miniature lubricator	1-44
SSR200	Stainless steel miniature regulator	1-43
ST	Shuttle valve, Double pressure valve	6-7
SV	Speed control valve(Precise type)	6-4
SY520	5/2 way pilot pneumatic valve(Namur valve)	2-28
TC	ISO6430 standard cylinder	5-12
TR	Three rod cylinder	5-58
TSV30043	4/2, 4/3 way rotary valve	4-2
TSV8652	5/2 way hand control valve	4-8
TSV8753	5/3, 3/2 way hand control valve	4-6
TSV9342	4/2, 4/3 way rotary valve	4-5
UF	Filter	1-12
UFR/L	FRL combinations	1-4
UFRL	FRL combinations	1-2
UFR	Filter regulator	1-10
UL	Lubricator	1-14
UMF	Coalescing filter	1-48
UR	Regulator	1-16
USFR	Stainless steel filter regulator	1-34
USFR/L	Stainless steel FRL combinations	1-32
USFR/LC	Stainless steel FRL combinations	1-38
USFRC	Stainless steel filter regulator	1-40
USF	Stainless steel filter	1-36
USL	Stainless steel lubricator	1-35
USLC	Stainless steel lubricator	1-41
USR	Stainless steel regulator	1-37
UV	Vacuum filter	1-47
Z10100	Solenoid valve timer	3-15
ZS, ZF, ZK	Rodless pneumatic cylinder	5-76