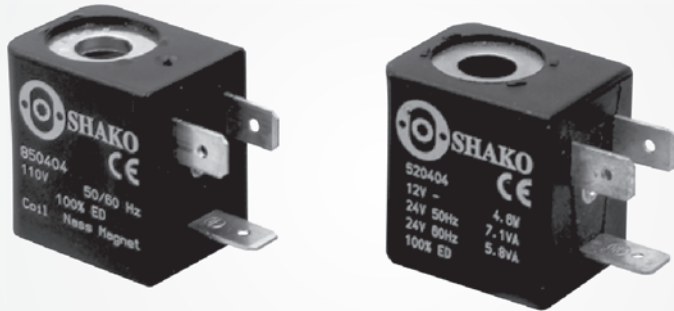


COIL & CONNECTOR



Features

- * High temperature resistant thermoplastic contains 30% PC.
- * Brass winding H class heat resistant up to 200°C according to IEC317-8.
- * Built-in magnetic yoke made by low carbon magnet.



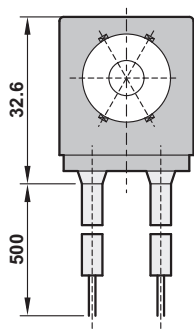
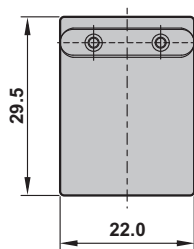
Order code

Voltage	Order code	Remarks
220VAC	SA20822DFSN	Standard (6.0VA)
110VAC	SA10822DFSN	Standard (6.0VA)
24VDC	SD90822DJSN	Standard (4.8W)
24VAC	SA90822DHSN	Option (8.5VA)
220VAC	SA20822DHSN	Option (8.5VA)
110VAC	SA10822DHSN	Option (8.5VA)
380VAC	SA30822DHSN	Option (8.5VA)

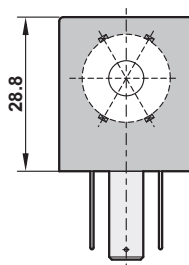
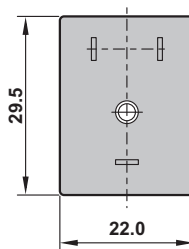
※Special voltage on your request

Dimensions

Lead wire



DIN type

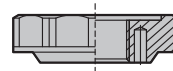


Specifications

Operating	Normally closed
Coil width	22mm
Voltage tolerance	±10%
Duty cycle	100% ED
Ambient temperature	-20°C~50°C
Isolation class of material	F (according to Din VDE0580)
Degree of protection	IP65 (according to EN60529)
Moulding material	Thermoplastic (PA, PPS)
Rated power DC	4.8W
Rated power AC (60Hz)	4.9VA
Rated power AC (50Hz)	6.0VA
Type	DIN

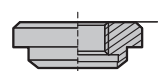
Plastic knurled nut

NVS5000031



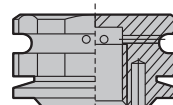
Metal knurled nut

KVS5000032



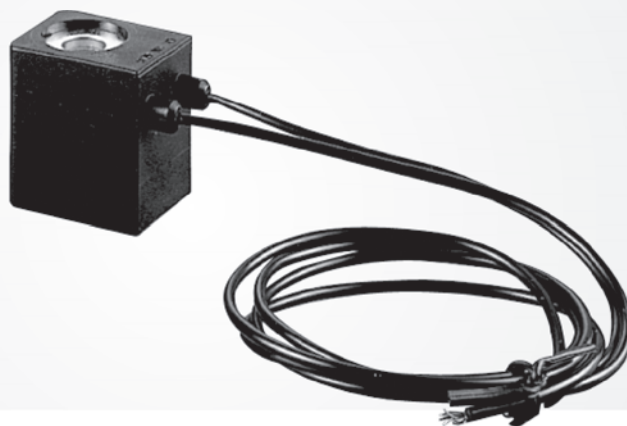
Exhaust protector

NVS5000030



Features

- * High temperature resistant thermoplastic contains 30% PC.
- * Brass winding H class heat resistant up to 200°C according to IEC317-8.
- * Built-in magnetic yoke made by low carbon magnet.



Order code

Voltage	Order code	Type	Remarks
220VAC	SA20716FCXA	Lead wire	Standard (3.6VA)
220VAC	SA20716DCXA	DIN	Option (3.6VA)
110VAC	SA10716FCXA	Lead wire	Standard (3.6VA)
110VAC	SA10716DCXA	DIN	Option (3.6VA)
24VAC	SA90716FEXA	Lead wire	Standard (3.6VA)
24VAC	SA90716DCXA	DIN	Option (3.6VA)
24VDC	SD90716FEXA	Lead wire	Standard (2.5W)
24VDC	SD90716DEXA	DIN	Option (2.5W)
12VDC	SD70716FEXA	Lead wire	Standard (2.5W)
12VDC	SD70716DEXA	DIN	Option (2.5W)

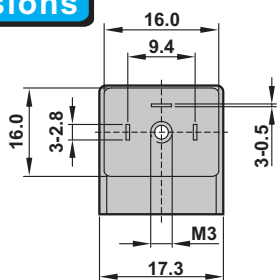
※ Special voltage on your request

Specifications

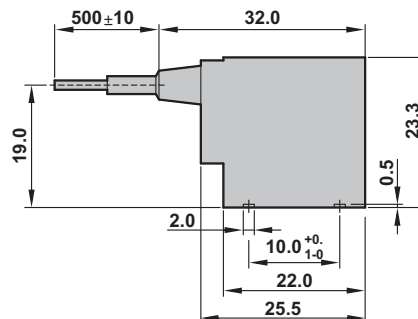
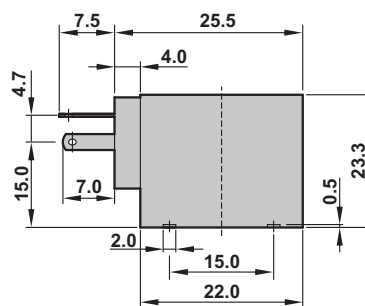
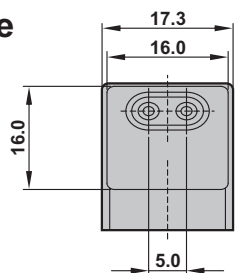
Operating	Normally closed
Coil width	16mm
Voltage tolerance	±10%
Duty cycle	100% ED
Ambient temperature	-20°C ~ 50°C
Isolation class of material	F (according to Din VDE0580)
Degree of protection	IP65 (according to EN60529)
Moulding material	Thermoplastic (PA, PPS)
Rated power DC	2.5W
Rated power AC(60Hz)	4.5VA
Rated power AC(50Hz)	4.0VA
Type	Lead wire (Standard) or DIN(Option)

Dimensions

DIN type



Lead wire



Features

- * The data of power and final temperature are valid for the standard voltages 24VDC and 230VAC; the power consumption may be higher at different nominal voltages.
- * Function is warranted at max. ambient temperature, max. voltage change and operating temperature.
- * The data of final temperature is valid for thermoplastic valve bodies and thermoplastic encapsulated coils. The temperature will be approximately 10-20K higher if the bodies are manifold.
- * This will cause a reduction of the magnetic force.
- * For additional information see German standard "Specification for Electronic Devices" DIN VDE 0580 or folder 1.4.0.0.



Order code

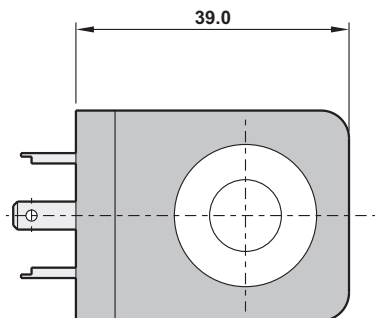
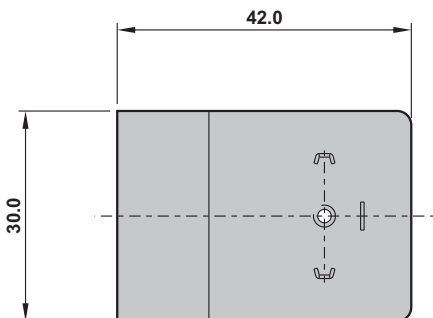
Voltage	Order code	Remarks
220VAC	SA21330DTSNT	Standard (18.1VA)
110VAC	SA11330DSSNT	Standard (17.6VA)
24VDC	SD91330DQSNT	Standard (15W)
48VAC	SA41330DXSN	Option (22VA)
24VAC	SA91330DSNNT	Option (17.6VA)
12VDC	SD71330DQNNT	Option (15W)
12VAC	SA71330DXSN	Option (22VA)

※Special voltage on your request

Specifications

Operating	Normally closed
Coil width	30mm
Voltage tolerance	±10%
Duty cycle	100% ED
Ambient temperature	-20°C ~ 50°C
Isolation class of material	F (according to Din VDE0580)
Degree of protection	IP65 (according to EN60529)
Moulding material	Thermoplastic (PA, PPS)
Rated power DC	15W
Rated power AC (60Hz)	16VA
Rated power AC (50Hz)	19VA
Type	DIN 43650A (ISO4400)

Dimensions



Features

- * The data of power and final temperature are valid for the standard voltages 24VDC and 230VAC; the power consumption may be higher at different nominal voltages.
- * Function is warranted at max. ambient temperature, max. voltage change and operating temperature.
- * The data of final temperature is valid for thermoplastic valve bodies and thermoplastic encapsulated coils. The temperature will be approximately 10-20K higher if the bodies are manifold.
- * This will cause a reduction of the magnetic force.
- * For additional information see German standard "Specification for Electronic Devices" DIN VDE 0580 or folder 1.4.0.0.



Order code

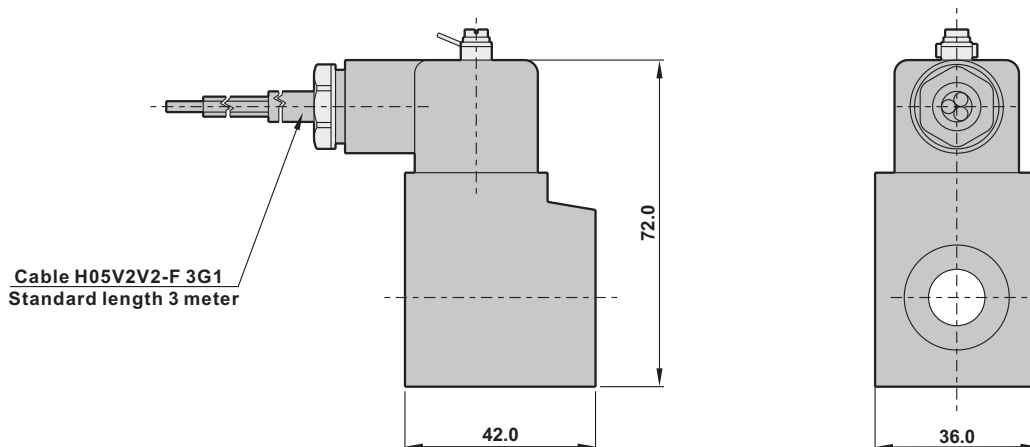
Voltage	EExmII T4	Coil width
220VAC	SA21336GT4N	36mm
110VAC	SA11336GT4N	36mm
24VDC	SD91336KT4N	36mm
24VAC	SA91336GT4N	36mm

※Special voltage on your request

Specifications

Function	2/2 way	
Operating	Normally closed	
Voltage tolerance	±10%	
Duty cycle	100% ED	
Ambient temperature	-20°C ~ +50°C	
Isolation class of material	F (according to Din VDE0580)	
Degree of protection	IP65 (according to EN60529)	
Moulding material	Thermoplastic	
Current frequency	DC	AC 50/60 Hz
Rated power	10W	8.5VA
Final temperature rise	70K	50K

Dimensions





System 8-36 CSA NPTF 1/2" T4



System 8-22, 8-30 EEx m II T4

Order code

VOLTAGE	CSA T4 WIDTH 36mm	EEx m II T4 WIDTH 22mm	EEx m II T4 WIDTH 30mm
220VAC	SA20836GTCN	SA20822ET4N	SA20830DT4N
110VAC	SA10836GTCN	SA10822ET4N	SA10830DT4N
24VDC	SD90836JTCN	SD90822KT4N	SD90830KT4N
24VAC		SA90822ET4N	

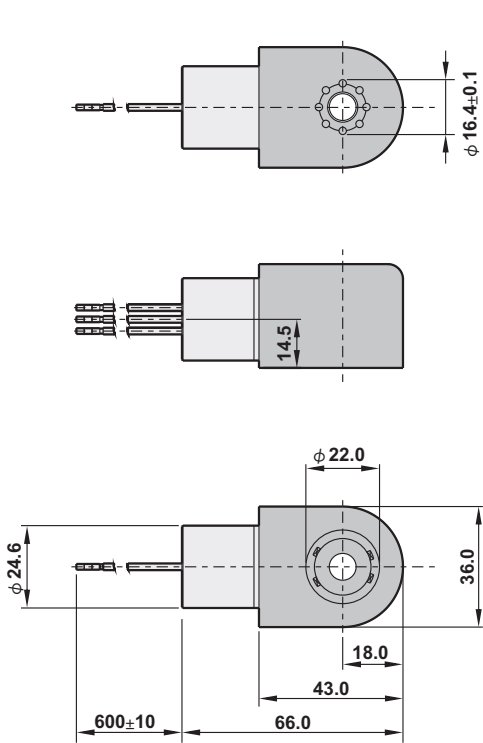
※Special voltage on your request

Specifications

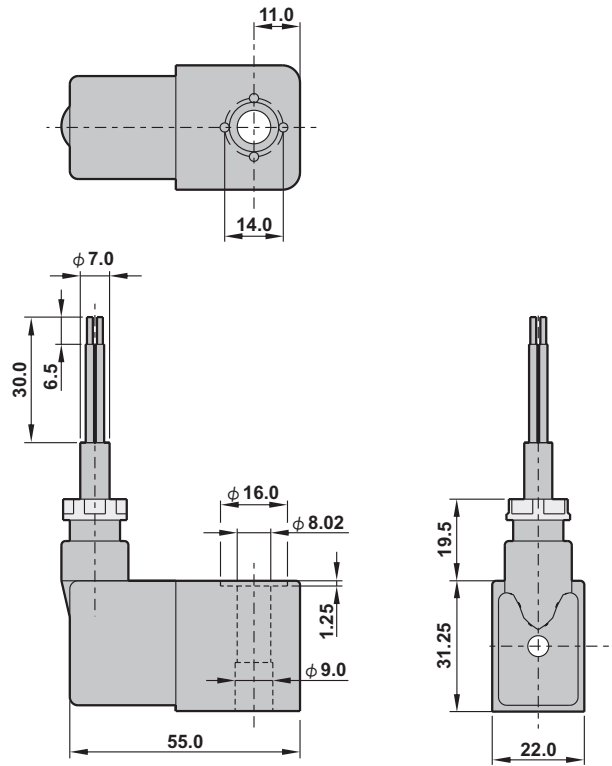
Ex-proof coil system	8-36 CSA NPTF 1/2" T4		8-22 EEx m II T4		8-30 EEx m II T4	
Function	3/2 way, 5/2 way					
Operating	Normally closed					
Ambient temperature	-20°C ~ +50°C					
Isolation class of material	F (according to Din VDE0580)					
Degree of protection	IP65 (according to EN60529)					
Moulding material	Thermoplastic					
Voltage tolerance	±10%					
Duty cycle	100% ED					
Voltage	VDC	AC(50Hz,60Hz)	VDC	AC(50Hz,60Hz)	VDC	AC(50Hz,60Hz)
Rated power	4.5W	7.5VA, 6.5VA	5W	5.5VA, 4.4VA	5.2W	5.3VA, 4.8VA
Final temperature rise	50K	40K	50K	40K	55K	50K
Cable length	24"		3m		3m	

Dimensions

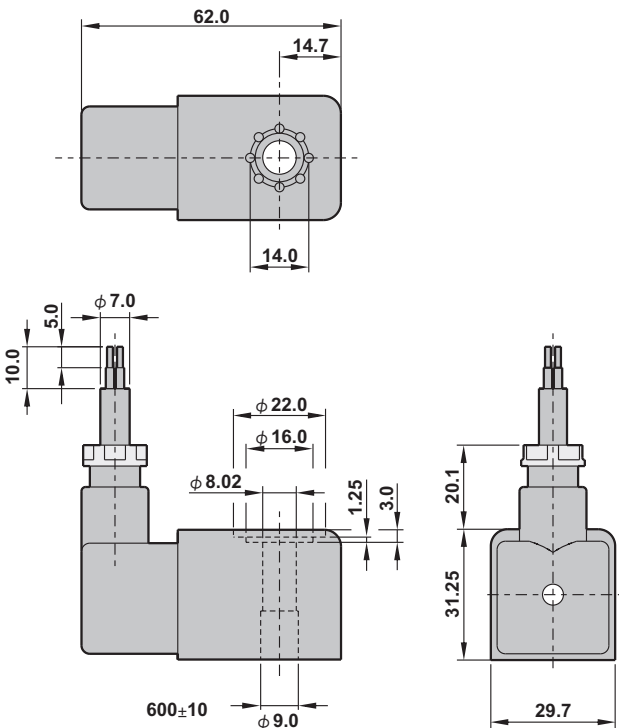
8-36 CSA NPTF 1/2"



8-22 EExm T4



8-30 EExm T4



Order code

CODE:
CN2211S9BSG



Order code

CODE:
AC : CN2211S9ASG
DC : CN2211S9DSG



Order code

CODE:
CN2211S9BGG
1/2" NPTF conduit connector

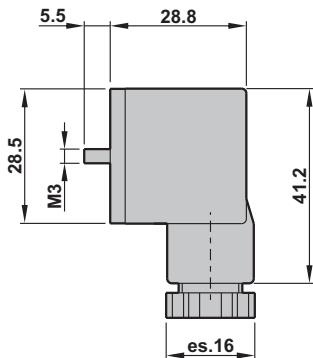


Specifications

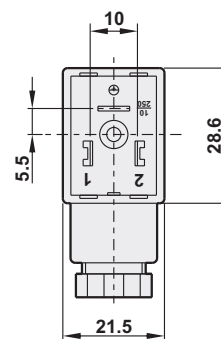
Housing	Black and gray: PA+30% GF
Contact holder, Gland out	PA + 30% GF
Cable diameter, Gland size	6-8mm PG9 or 1/2"NPTF
Contact material	Cu Zn (AG)
Max. voltage	250VAC/300VDC
Max. current	16A
Operating current	10A
Spacing	11mm
Max. wire cross-section	1.5mm ²
Insulation class	C-VDE0110
Working temperature	-40°C ~+120°C

Dimensions

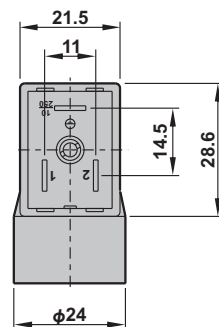
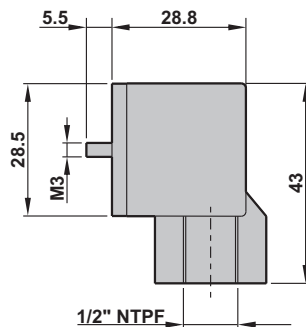
● CN2211S9BSG, CN2211S9ASG



● CN2211S9DSG



● CN2211S9BGG



Order code

CODE: CN3018S9BSG



Order code

CODE:
AC : CN3018S9ASM
DC : CN3018S9DSM



Order code

CODE: CN3018SNBMM
1/2" NPTF conduit connector

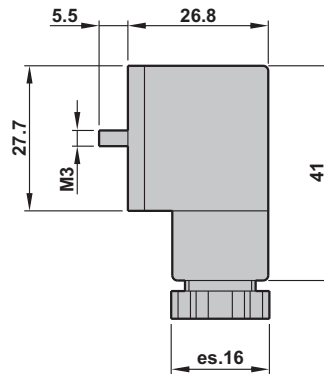
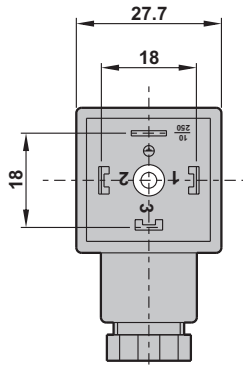


Specifications

Housing	Black and gray: PA+30% GF
Contact holder, Gland out	PA + 30% FV/ /PA 30% GF
Gland size	PG9 or 1/2"NPTF
Contact material	Cu Zn (AG)
Max. voltage	250VAC/300VDC
Max. current	16A
Operating current	10A
Spacing	18mm
Max. wire cross-section	1.5mm ²
Insulation class	C-VDE0110
Working temperature	-40°C ~+120°C

Dimensions

- **CN3018S9BSG**
- **CN301839ASM**
- **CN301839DSM**



- **CN3018SNBMM**

