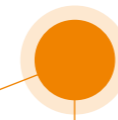


Steam solenoid valves



- **128-131**
DL Series Steam Valve
- **132**
0121 High Temperature Steam Valve
- **133**
RV08102 High Temperature Steam Valve

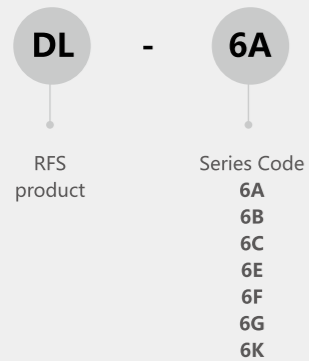
DL Series Steam Valve

DL

- Installed on the Ironing equipments independent
- Fully made of heat resistant H class material
- Steam flow rate can be adjustable, Easy to operate
- Electrical parts good water-proof
- Insert pipe, Female-male thread, Adjustable and angle adjustable type for choose



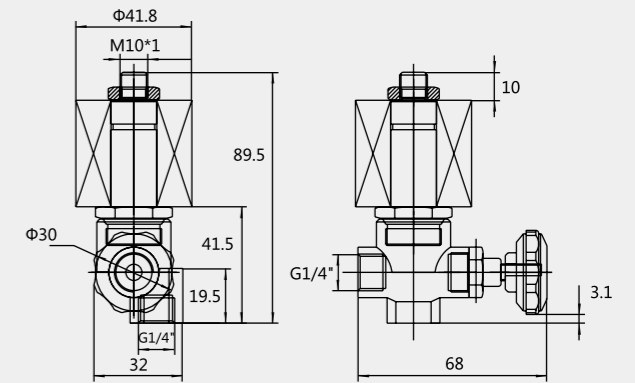
Ordering Code



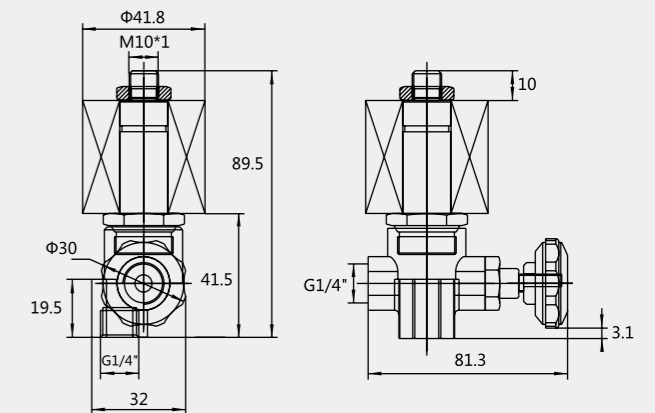
Parameters

Model	DL-6A	DL-6B	DL-6C	DL-6E	DL-6F	DL-6G	DL-6K
Media	Water / Steam / Clean Air						
Working type	2/2 Direct action						
Pattern	Normally close						
Orifice	2.5mm	2.5mm	2.7mm	2.5mm	2.5mm	2.5mm	2.5mm
Connection ports	Φ6Insert pipe, Male G1/8"	Male G1/4"	G1/4"	G1/4"	G1/4"	G1/4"	G1/4"
Working pressure	0~0.8MPa	0~0.8MPa	0~1.6MPa	0~2.5MPa	0~2.5MPa	0~1.0MPa	0~0.8MPa
Max. pressure	1.6MPa	1.6MPa	2.5MPa	3MPa	3MPa	3MPa	2.5MPa
Working temp.	0.1°C ~180°C						
Rated voltage	DC/AC24~240V ±10%						
Power	DC12W/AC15VA		DC20W/AC28VA		DC16W/AC19VA	DC12W/AC15VA	
Protection class	IP65						
Insulation class	H class						
Valve body material	Brass						
Seal material	PTFE/FKM						

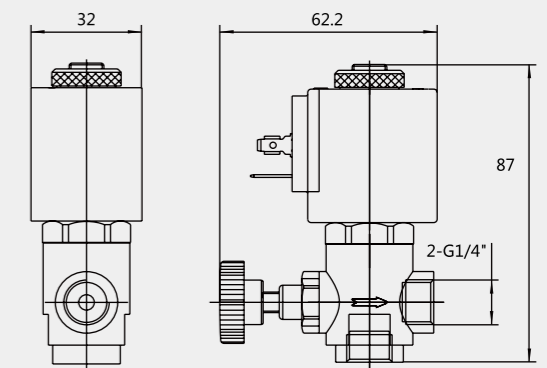
DL-6E



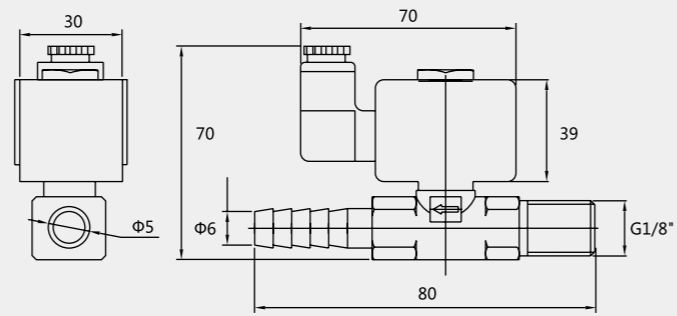
DL-6F



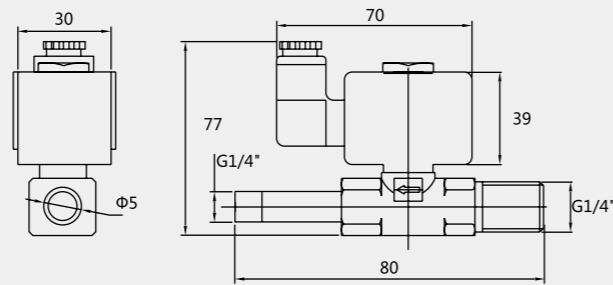
DL-6G



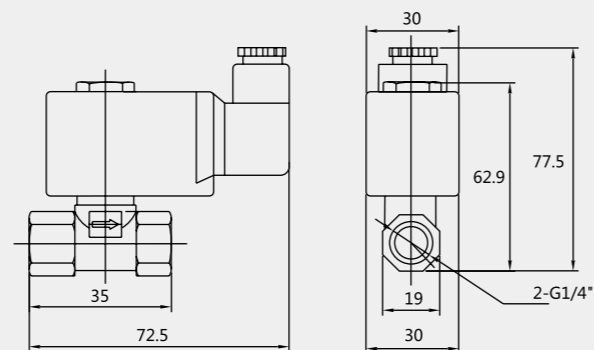
DL-6A



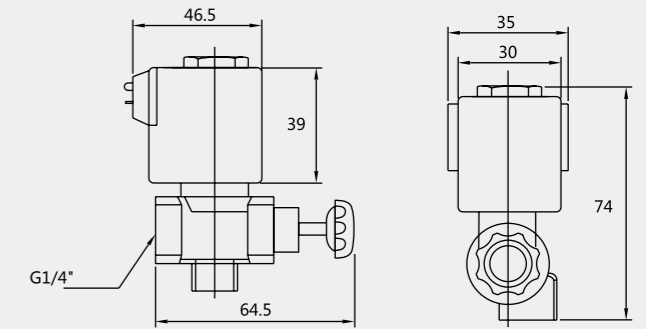
DL-6B



DL-6C



DL-6K



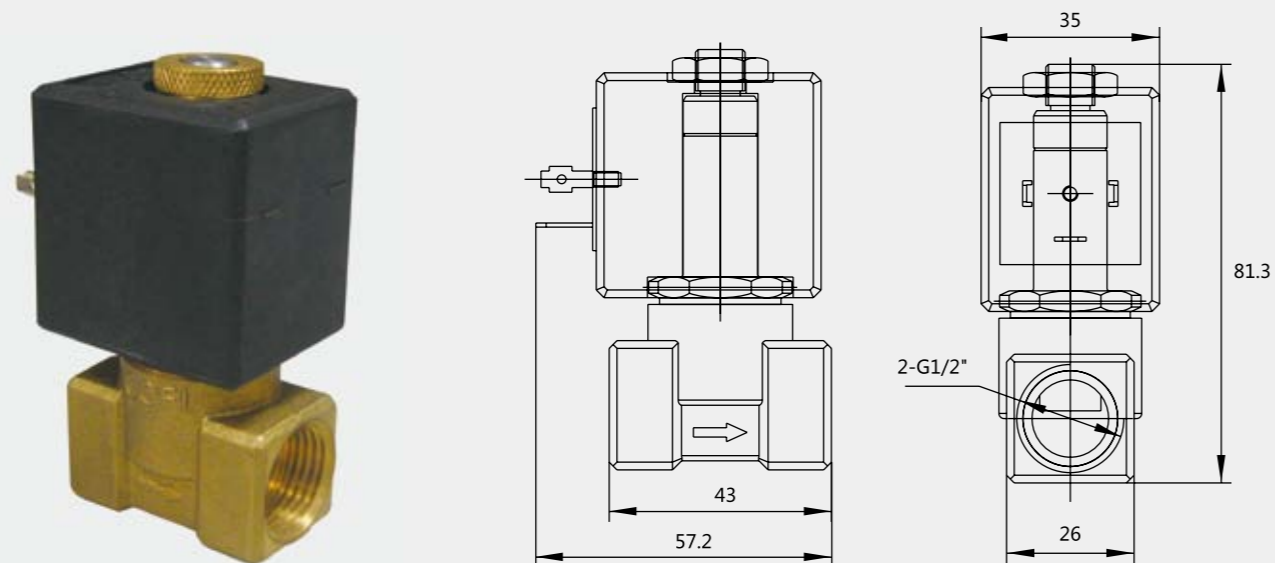
➤ 0121 High Temperature Steam Valve

- International advanced technology
- Compact,easy to install
- For high-temperature steam pipe

Parameters

Medium	Steam
Pattern	Normally close
Orifice	4.5mm
Connection ports	G1/2"
Working pressure	0~0.6MPa
Max. pressure	2.5MPa
Working temp.	-20~180°C
Rated voltage	AC220V ±10%
Power	32VA
Protection class	H class
Insulation class	F class
Valve body material	Brass
Seal material	VITON

Overall Dimension



➤ RV08102 High Temperature Steam Valve

- Coil with heat sink,Resistant high temperature
- Piston type, big flow rate
- For high-temperature steam pipe

Parameters

Medium	Steam
Pattern	Normally close
Orifice	8mm
Connection ports	G1/2"
Working pressure	0~1.0MPa
Max. pressure	2.5MPa
Working temp.	0~180°C
Rated voltage	AC220V ±10%
Power	19VA
Protection class	H class
Insulation class	H class
Valve body material	Brass
Seal material	PTFE/VITON

Overall Dimension

