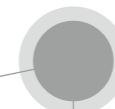


Suitable for automatic discharge of
condense water in many occasions and
automatic irrigation system



- **118-121**
CS Automatic Drain valve
- **122-123**
CS Strainer
- **124**
PS Drain Valve
- **125**
Float Type Drain Valve

➤ CS Automatic Drain valve

CS

Fully automatic, maintenance-free Timer control drain valve



Ordering Code

● CS	-	● 720	-	□	-	□
RFS product		Series code		Material code		Port size
		720		Blank brass		01 1/8"
		2000		S Stainless steel		02 1/4"
		3000		W Without Timer		03 3/8"
		728A		WS Stainless steel without timer		04 1/2"
		711				
		740				

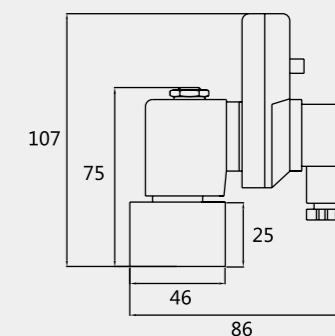
Speciality

- Conforming to CE standard
- Fully automatic, maintenance-free
- Suitable for automatic discharge of condense water in many occasions and automatic irrigation system
- Different voltage and port size are available for selection
- Interval and working time can be adjustable
- Without manual testing switch
- ABS flame-proof house, can reach IP65 class after right installed
- Applicable to a wide range of temperature
- Direct-acting, big orifice, to avoid blockade
- With filter ball valve, Port size and manual switch can any changes, easy install and maintain

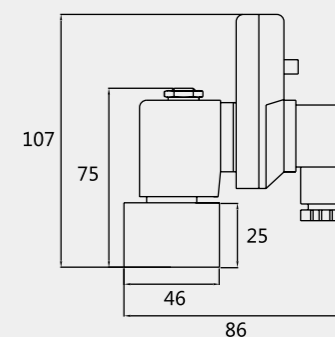
Parameters

Model	CS-720	CS-2000	CS-3000	CS-711
Valve Style	2/2 Direct action			
Connection ports	1/4"	3/8"	1/2" Female	1/8" 1/4"
Working pressure	16bar	25bar	40bar 80bar	16bar
On/off time	On 0.5~10s	On 0.5~99s	On 1s~99h99min99s	On 2s
	Off 0.5~45min	Off 0.5~99min	On 1s~99h99min99s	Off 0.5~120min
Working temp.	-20°C ~60°C			
Highest Media Temperature	160°C			
Valve Body	Brass / Stainless steel			
Orifice	1.9~4.5mm			2mm
Protection class Insulation class	F class IP65 (with plug)			
Power	24~240V		DC/AC	50/60z±10%
Voltage	AC220V/DC20V			DC5.5W/AC6VA
Mounting	Any place			

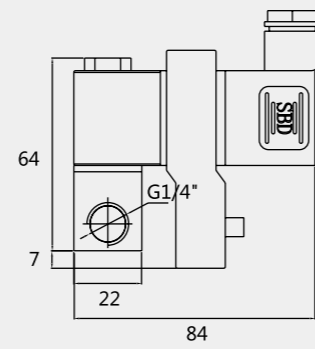
CS-720



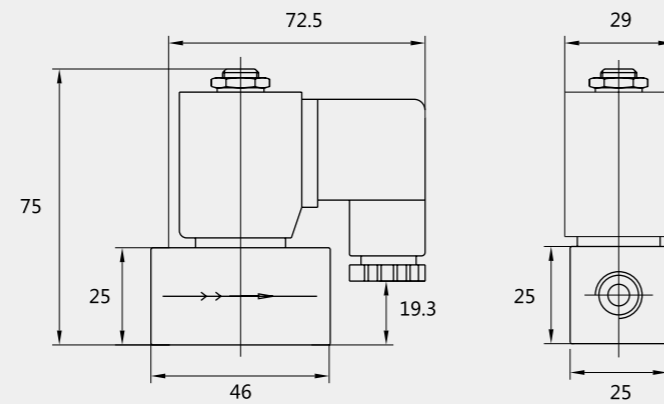
CS-2000/CS-3000



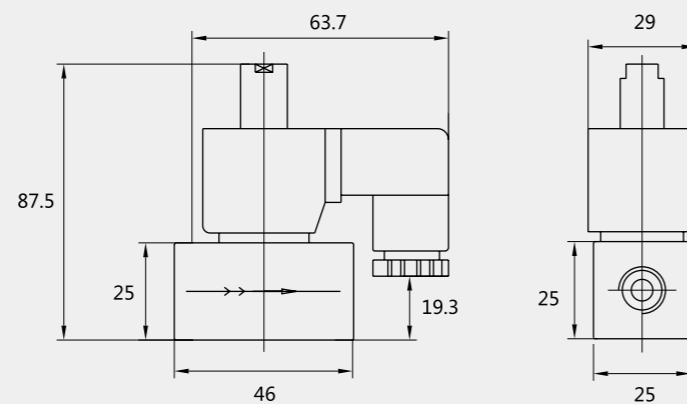
CS-711



CS-720W



CS-720W-CK



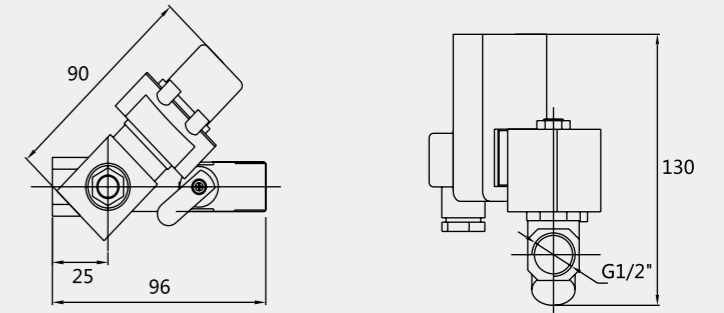
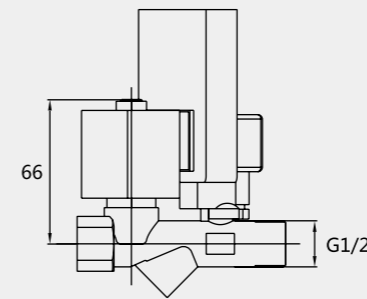
CS-728A

Combine filter ball valve and Timer control drain valve together



Parameters

Orifice	3.5mm
Pattern	Normally close
Rated voltage	AC/DC24~240V ±10%
Power	AC22VA/DC20W
Working pressure	0~16Bar
Working temp.	0°C ~ 80°C
Valve body material	Brass
Seal material	NBR / VITON



CS-740

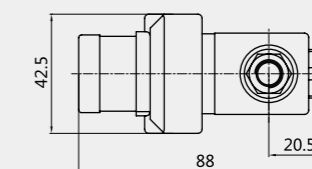
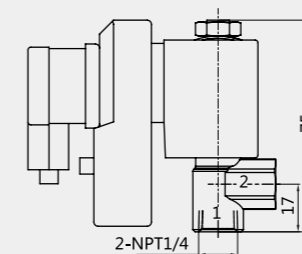
The structure of the product is easy and delicate.

Be used together with the timer, which can auto shift to ON or Off the valve



Parameters

Orifice	2.2mm
Pattern	Normally close
Rated voltage	AC/DC24~240V ±10%
Power	AC22VA/DC20W
Working pressure	0~17.5bar
Working temp.	0°C ~ 80°C
Valve body material	Brass
Seal material	NBR / VITON



➤ CS Strainer

S70/S95

Used alone or Together with CS-720
Series valve

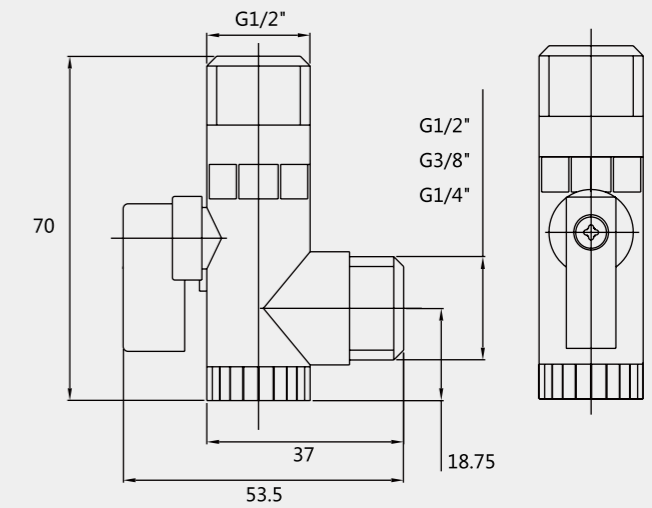


Ordering Code

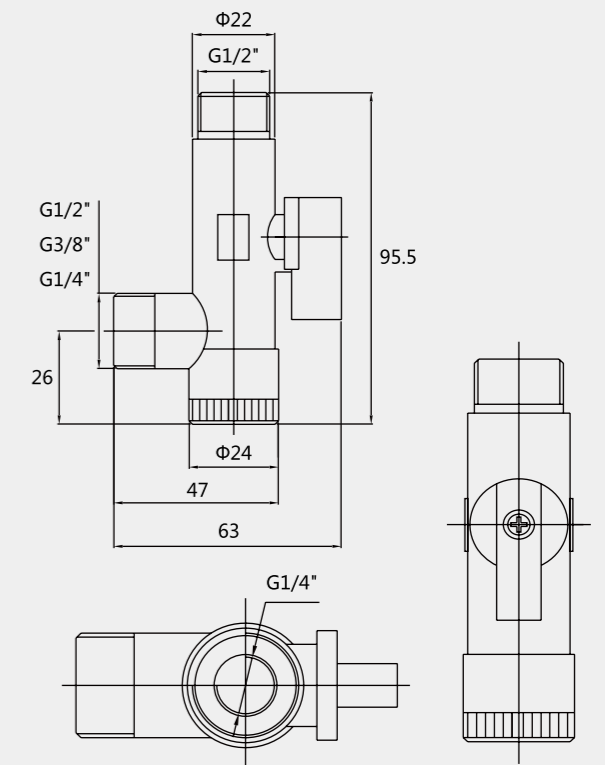
<div style="border: 1px solid black; border-radius: 50%; width: 30px; height: 30px; display: flex; align-items: center; justify-content: center; margin: 0 auto;">CS</div>	-	<div style="border: 1px solid black; border-radius: 50%; width: 30px; height: 30px; display: flex; align-items: center; justify-content: center; margin: 0 auto;">S95</div>	-	<div style="border: 1px solid black; border-radius: 50%; width: 30px; height: 30px; display: flex; align-items: center; justify-content: center; margin: 0 auto;">□</div>
RFS product		Series Code S95 Series code Length 95mm S70 Series code Length 70mm		Port size 02 1/4" 03 3/8" 04 1/2"

Overall Dimension

CS-S70 Strainer



CS-S95 Strainer



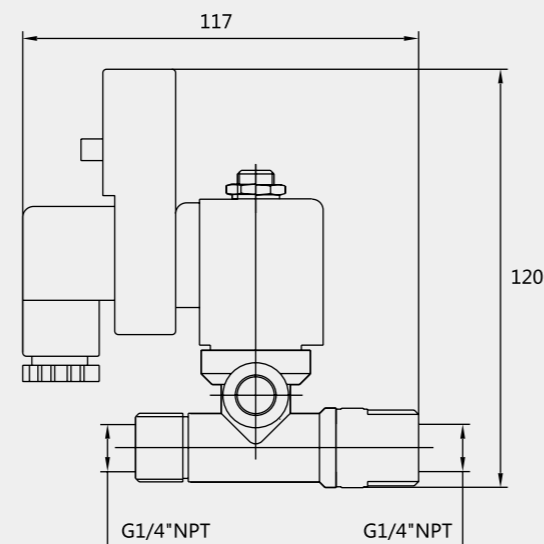
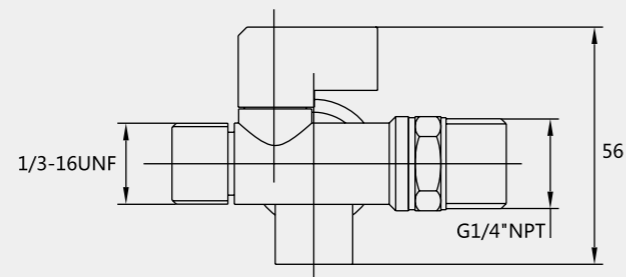
➤ PS Drain Valve

PS

Combine filter ball valve and Timer control drain valve Together, Economic and benefits

Parameters

Orifice	4mm
Pattern	Normally close
Rated voltage	AC/DC24~240V ±10%
Power	AC22VA/DC20W
Working pressure	0~16Bar
Working temp.	20°C ~ 80°C
Valve body material	Brass
Seal material	NBR / VITON



➤ Float Type Drain Valve

RD50016-15G

Automatic Discharge, without human management and other functions

Parameters

Connection ports	G1/2"
Seal material	NBR
Media	Water
Working pressure	0~16bar
Working temp.	-10°C ~ 80°C
Working type	Leverage and Buoyancy type
Max. pressure	20bar
Valve body material	Aluminum

Feature

- 1、 Automatic Discharge, without human management and other functions
- 2、 When the water reaches a certain quantity, Under the leverage and buoyancy Principle, discharge the water automatically
- 3、 Overall ball type design, save the installation space
- 4、 Directly Install on the inlet pipe , no need to install bolts

