

Introduction of advanced international technology and make some improvements
 Pulse Valve used for controlling the compressed air of dust remover filter system
 The key components adopt advanced material
 Pneumatic control type, solenoid control type and Ex-proof solenoid control type
 for optional
 Female thread connection port, it is easy for installing

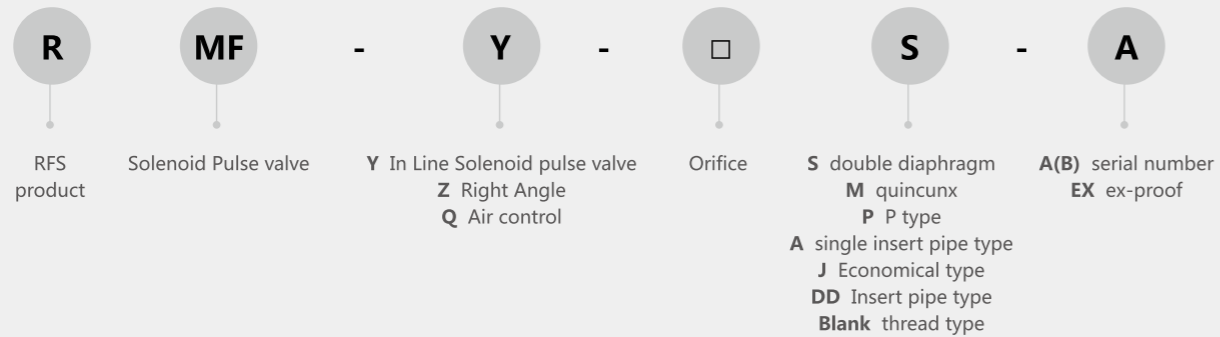
- 98-101
Right Angle Pulse Jet Valve
- 102-105
In Line Pulse Jet Valve
- 106-109
Air Control Pulse Jet Valve
- 110-111
Explosion-proof Pulse Jet Valve
- 112-113
Sequential Controller
- 114
RB Series Fitting
- 114
Venturi Tube
- 114
Diaphragm
- 115
Cylinder with Solenoid Valve

➤ Right Angle Pulse Jet Valve

- Introduction of advanced international technology and make some improvements
- Pulse Valve used for controlling the compressed air of dust remover filter system
- The key components adopt advanced material
- Pneumatic control type, solenoid control type and Ex-proof solenoid control type for optional
- Female thread connection port, it is easy for installing



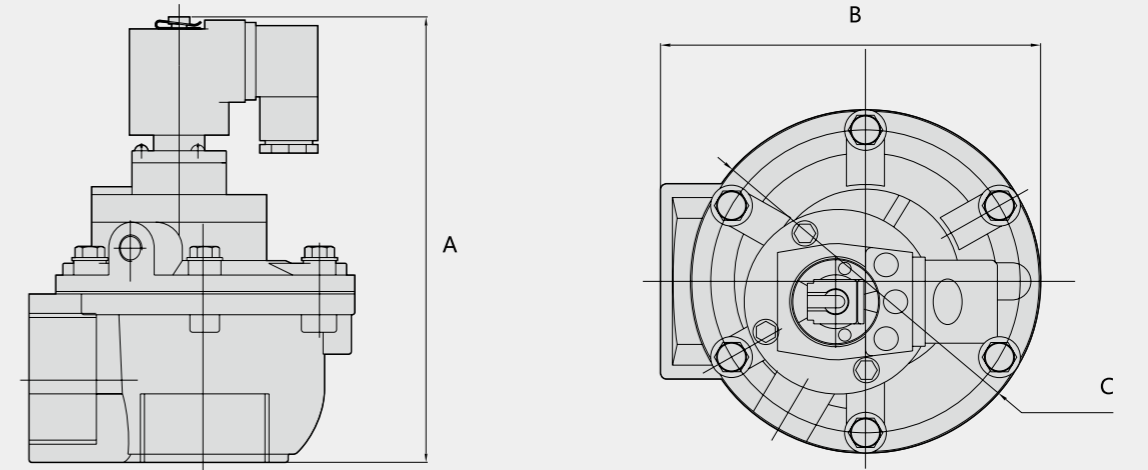
Ordering Code



Parameters

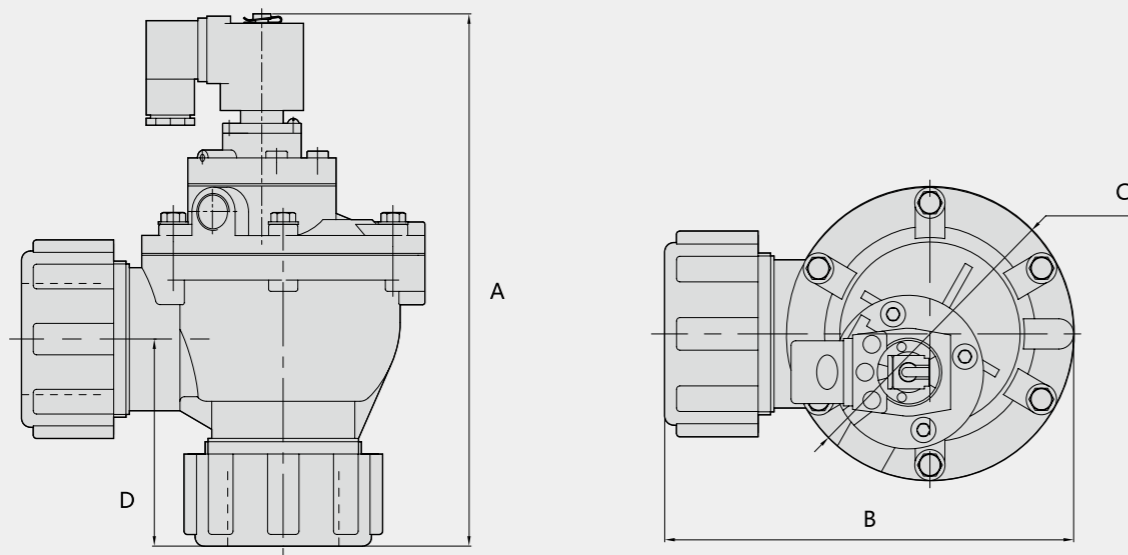
Model	Working pressure	Ambient Temp.	Relative Humidity	Media	Voltage	Power	Diaphragm Life	Orifice	Connection ports
RMF-Z-15M	0.3 ~ 0.8MPa	-5~55° C	< 85%	Clean Air	AC110V AC220V DC24V ±10%	DC20W AC25VA	Over one Million cycles	Φ15mm	G1/2"
RMF-Z-20M								Φ20mm	G3/4"
RMF-Z-20J						Φ20mm		G3/4"	
RMF-Z-25J						DC12W AC15VA		Φ25mm	G1"
RMF-Z-20A						Φ20mm		G3/4"	
RMF-Z-20P						DC20W AC25VA		Φ20mm	G3/4"
RMF-Z-25P						Φ25mm		G1"	
RMF-Z-20						DC21W AC18VA		Φ20mm	G3/4"
RMF-Z-25						Φ25mm		G1	
RMF-Z-35P						DC20W/AC25VA		Φ35mm	G1 1/2"
RMF-Z-40S						DC30W/AC28VA		Φ40mm	G1 1/2"
RMF-Z-45P						DC20W/AC25VA		Φ45mm	G1 1/2"
RMF-Z-50S								Φ50mm	G2"
RMF-Z-50S-A						DC30W/AC28VA		Φ50mm	G2"
RMF-Z-62S						DC20W/AC25VA		Φ62mm	G2 1/2"
RMF-Z-62S-A						DC30W/AC28VA		Φ62mm	G2 1/2"
RMF-Z-76S						DC20W AC25VA		Φ76mm	G3"
RMF-25DD								Φ25mm	Φ35
RMF-45DD								Φ40mm	Φ50

Overall Dimension



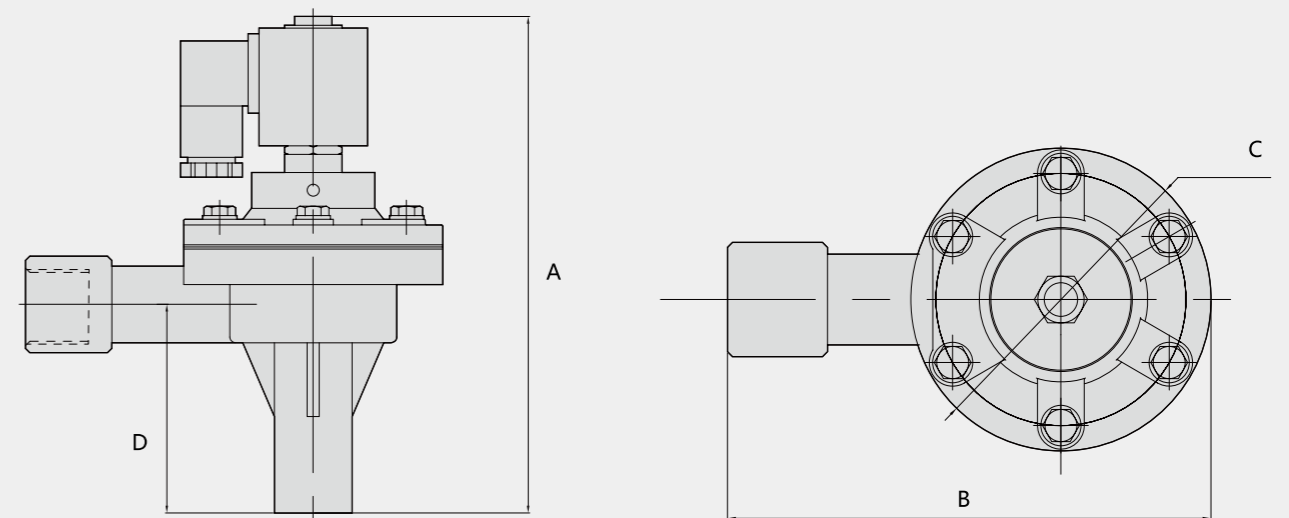
Model	A	B	C
RMF-Z-15M	124	102	Φ92
RMF-Z-20M	124	102	Φ92
RMF-Z-20J	124	88	Φ74
RMF-Z-25J	124	88	Φ74
RMF-Z-20P	124	104.5	82.5×82.5
RMF-Z-25P	124	104.5	82.5×82.5
RMF-Z-20	112	88	Φ74
RMF-Z-25	112	88	Φ74
RMF-Z-35P	142	121	Φ111.5
RMF-Z-40S	162	131	Φ117
RMF-Z-45P	174	138	Φ126
RMF-Z-50S	202	205	Φ184
RMF-Z-50S-A	208	167.5	Φ145
RMF-Z-62S	222	210	Φ185
RMF-Z-62S-A	208	167.5	Φ145
RMF-Z-76S	245	230	Φ200

Overall Dimension



Model	A	B	C	D
RMF-25DD	185	127	82.5×82.5	83
RMF-45DD	236	178	Φ126	92

Overall Dimension



Model	A	B	C	D
RMF-Z-20A	190	144	Φ90	86

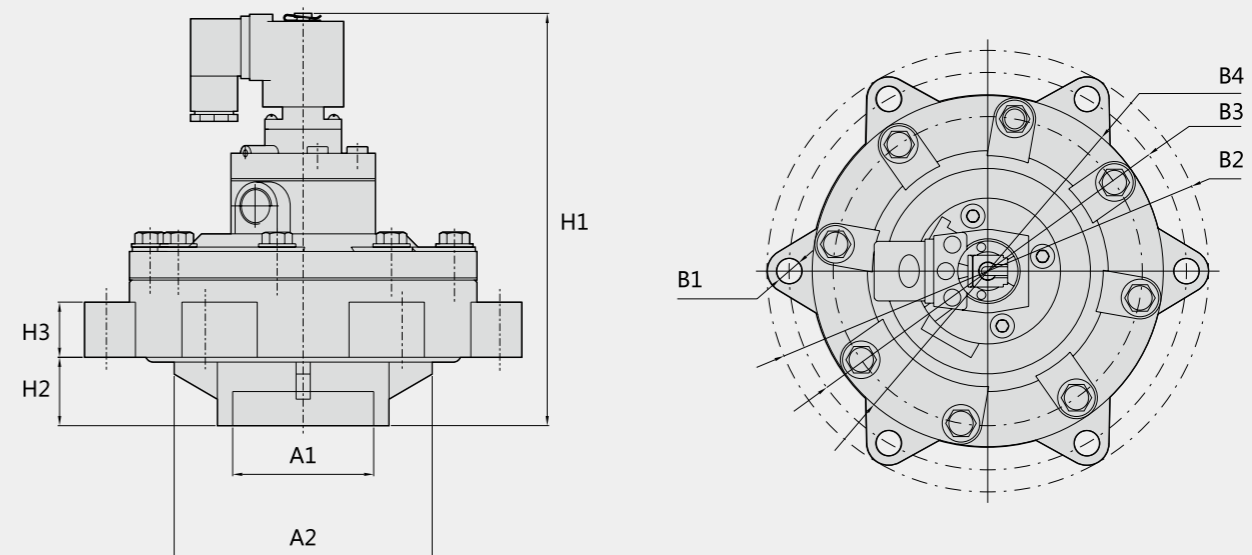
➤ In Line Pulse Jet Valve



Parameters

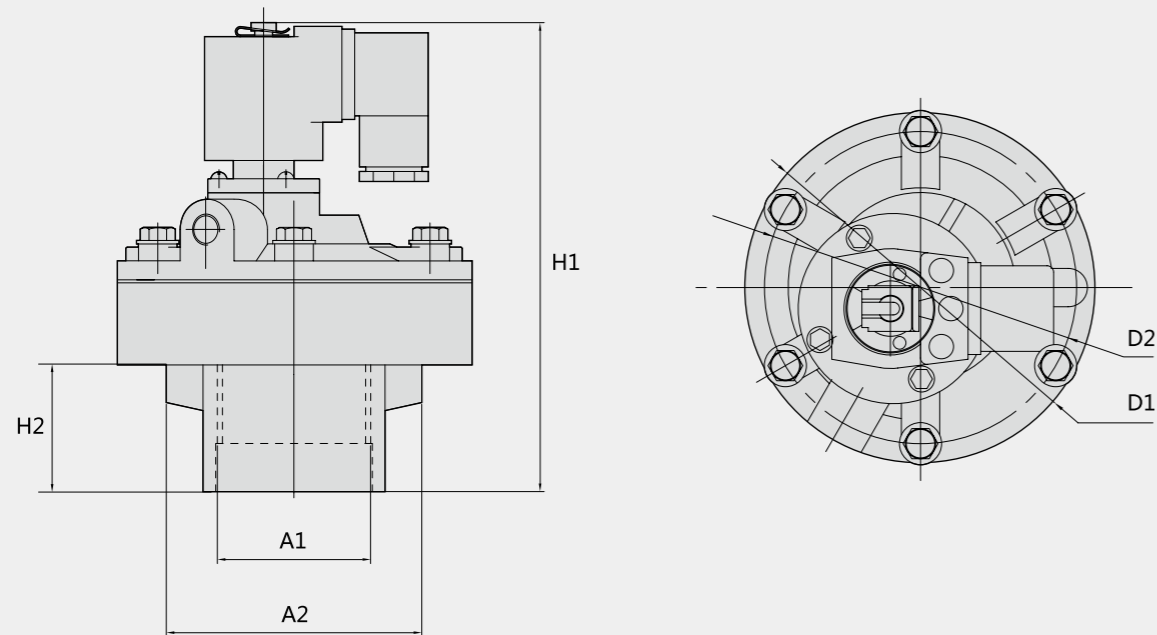
Model	Working pressure	Ambient Temp.	Relative Humidity	Media	Voltage	Power	Diaphragm Life	Orifice	Connection ports
RMF-Y-25	0.3 ~ 0.8MPa	-5~55° C	< 85%	Clean Air	AC110V AC220V DC24V ±10%	DC12W/AC15VA	Over one Million cycles	Φ25mm	G1"
RMF-Y-40						Φ45mm		G1 ¹ / ₂ "	
RMF-Y-50S						Φ50mm		Φ62.5mm	
RMF-Y-62S						Φ62mm		Φ76mm	
RMF-Y-86S						Φ76mm		Φ86mm	
RMF-Y-76S-B						Φ76mm		Φ88mm	
RMF-Y-76S-A						Φ75mm		Φ88mm	
RMF-Y-76S						Φ76mm		Φ90mm	

Overall Dimension



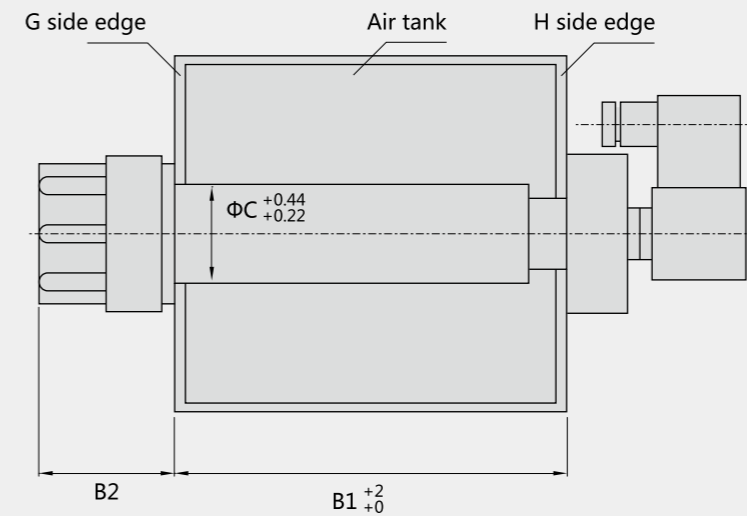
Model	A1	A2	B1	B2	B3	B4	H1	H2	H3
RMF-Y-50S	Φ62.5	Φ118	6-Φ12	Φ200	Φ180	Φ159	187	30.5	34.5
RMF-Y-62S	Φ76	Φ143.5	6-Φ11.5	Φ230	Φ207	Φ185	197	34	35
RMF-Y-76S-B	Φ88	Φ166	8-Φ10.5	Φ220	Φ188		174	55	10
RMF-Y-76S-A	Φ88	Φ166	8-Φ11.5	Φ220	Φ188		174	55	10
RMF-Y-76S	Φ90	Φ141	6-Φ12	Φ248	Φ227	Φ200	205	34.5	27

Overall Dimension



Model	A1	A2	H1	H2	D1	D2
RMF-Y-25	G1"	Φ58.5	142	30.2	Φ84	Φ77
RMF-Y-40	G1-1/2"	Φ75	147	40	Φ112	Φ98.5
RMF-Y-86S	Φ86	Φ158	191	50	Φ200	Φ176

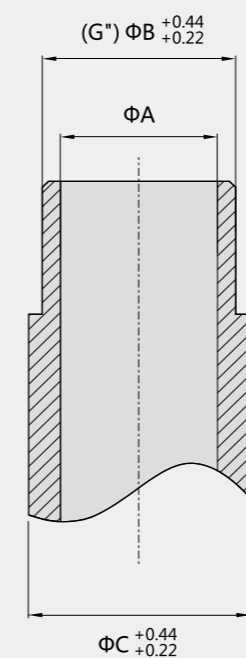
RMF-Y-25, RMF-Y-40 Installation method



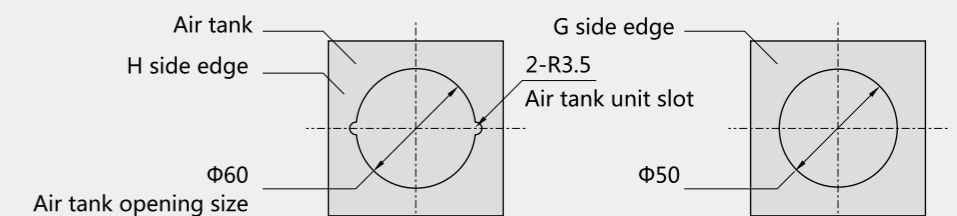
Model	ΦC	B1	B1
RMF-Y-25	34	180	61
RMF-Y-40	48	240	66

In Line Solenoid Pulse Valve connection port diameter

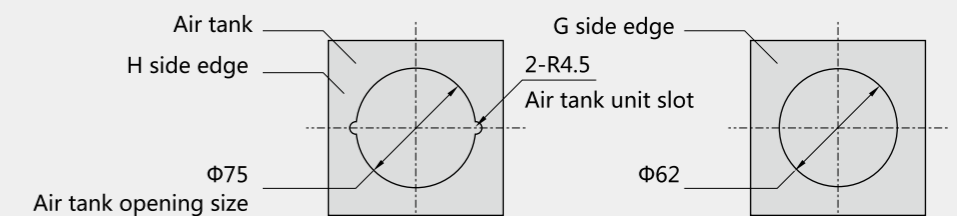
Model	ΦA	ΦB G	ΦC
RMF-Y-25	25	1"	34
RMF-Y-40	40	1 1/2"	48
RMF-Y-50S	50	61.5	
RMF-Y-62S	62	75	
RMF-Y-76S	76	89	
RMF-Y-86S	76	87	
RMF-Y-76S-A	75	89	
RMF-Y-76S-B	76	89	



In Line Solenoid Pulse Valve pipe diameter



RMF-Y-25 Valve and air tank installation dimension



RMF-Y-40 Valve and air tank installation dimension

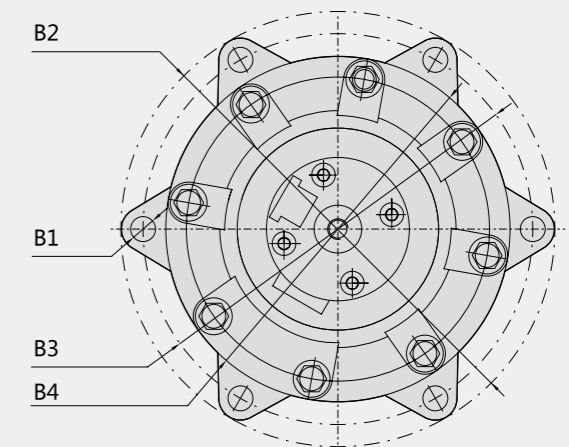
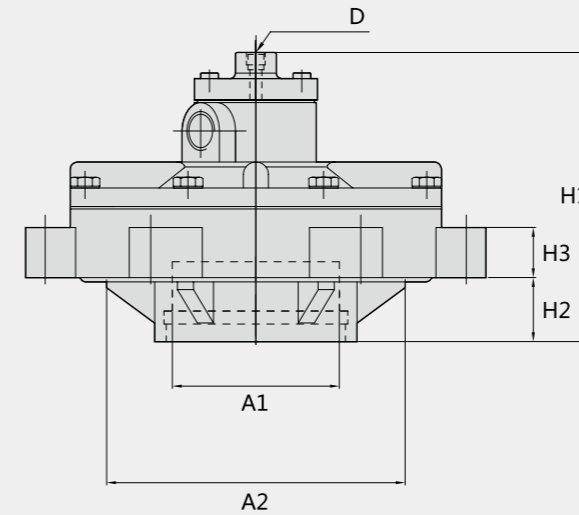
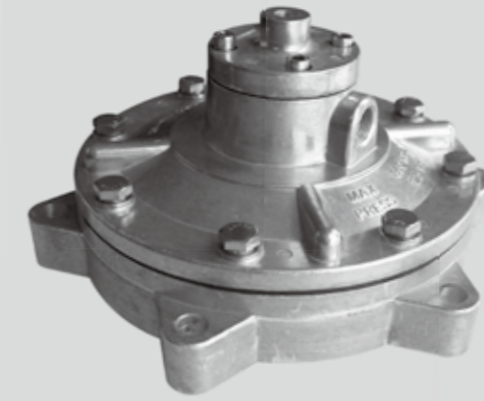
➤ Air Control Pulse Jet Valve



Parameters

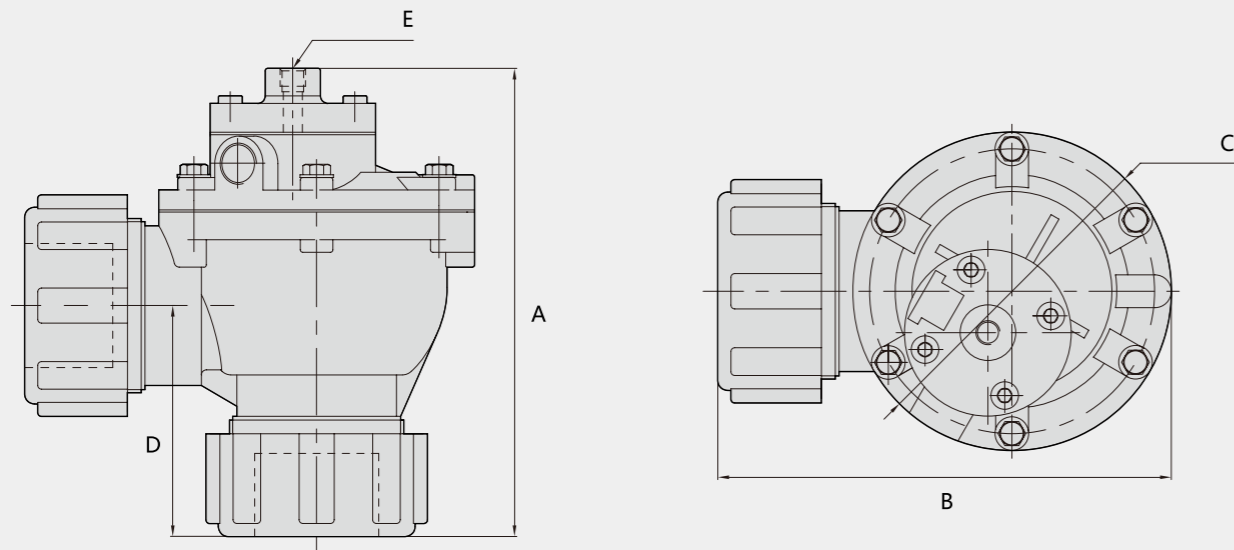
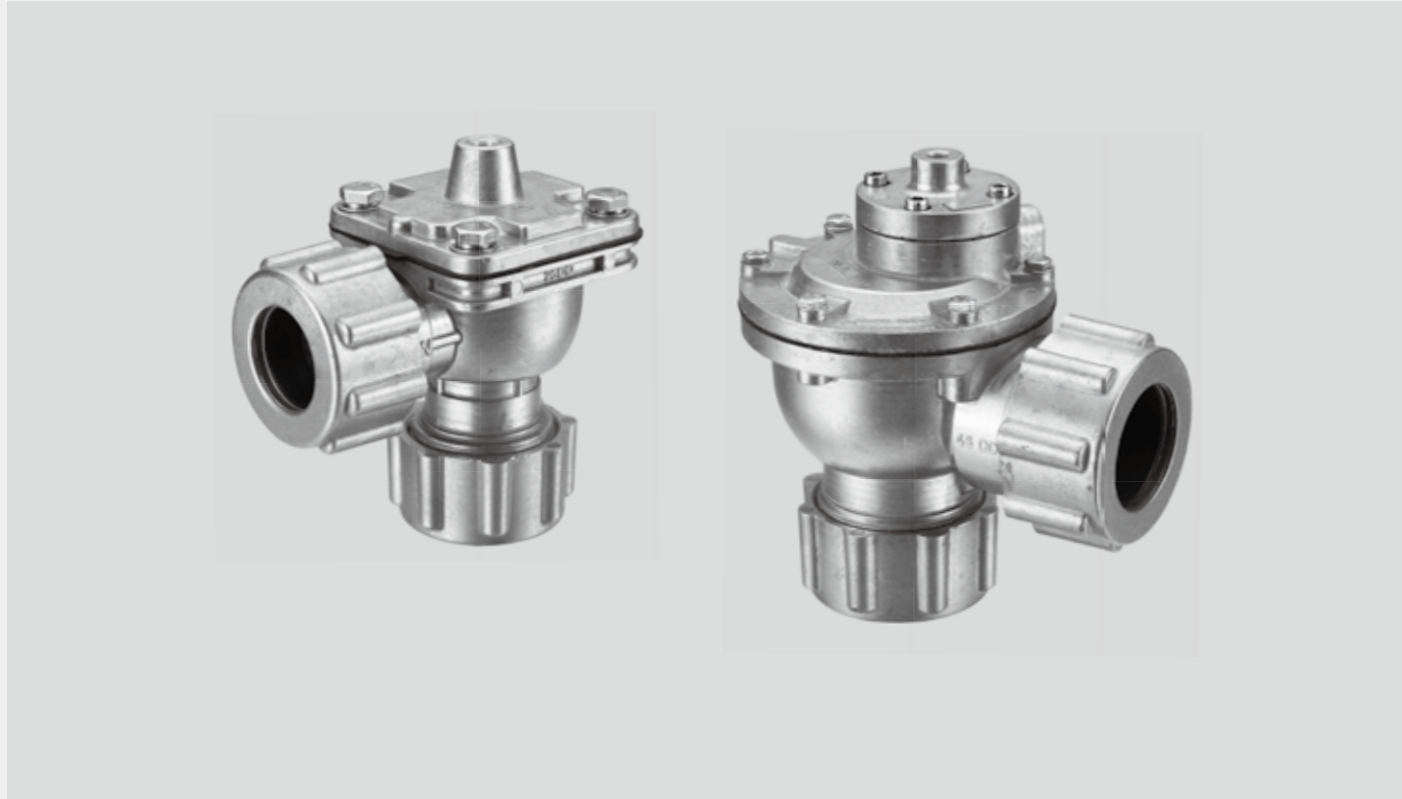
Model	Working pressure	Ambient Temp	Relative Humidity	Media	Diaphragm Life	Orifice	Connection ports
RMF-YQ-50S	0.3 ~ 0.8MPa	-5~55° C	< 85%	Clean Air	Over one Million cycles	Φ50mm	Φ62.5mm
RMF-YQ-62S						Φ62mm	Φ76mm
RMF-YQ-76S						Φ76mm	Φ90mm

In Line Gas control Pulse valve



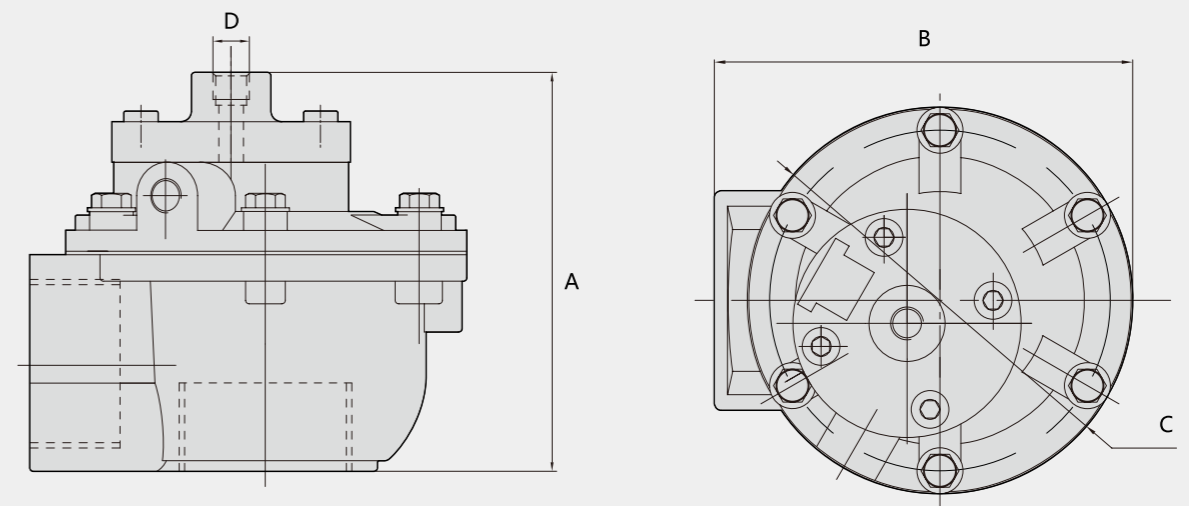
Model	A1	A2	B1	B2	B3	B4	H1	H2	H3	D
RMF-YQ-50S	Φ62.5	Φ118	6-Φ12	Φ200	Φ180	Φ159	138	30.5	34.5	G1/8"
RMF-YQ-62S	Φ76	Φ143.5	6-Φ11.5	Φ230	Φ207	Φ185	148	34	35	
RMF-YQ-76S	Φ90	Φ141	6-Φ12	Φ248	Φ277	Φ200	156	34.5	27	

Right angle (DD Type) gas control pulse valve



Model	A	B	C	D	E
RMF-Q-25DD	185	127	82.5*82.5	83	G1/8"
RMF-Q-45DD	236	178	Φ126	92	

Right angle gas control pulse valve



Model	A	B	C	D
RMF-Q-20P	76	104.5	82.5×82.5	G1 ¹ / ₈ "
RMF-Q-25P	76	104.5	82.5×82.5	
RMF-ZQ-45P	125	138	Φ126	
RMF-ZQ-50S	153	205	Φ184	
RMF-ZQ-62S	173	210	Φ185	
RMF-ZQ-76S	195	230	Φ200	

➤ Explosion-proof Pulse Jet Valve

- Ex class: ExmI/II T4
- Using our own Explosion-proof coil, All the solenoid pulse valves can be changed into Ex-proof style
- Voltage & wire length can be made as your request
- When you order Ex-proof solenoid valve, Add "Ex" after model



Parameters

Model	Working pressure	Ambient Temp.	Relative Humidity	Media	Voltage	Power	Orifice	Connection ports
RMF-25DD-EX	0.3 ~ 0.8MPa	-5~55° C	< 85%	Clean Air	AC110V AC220V DC24V DC12V ±10%	DC15W	Φ25mm	Φ31mm
AC13VA						Φ40mm	Φ50mm	
RMF-Z-25J-EX						DC11W	Φ25mm	G1"
RMF-Z-20J-EX						AC13VA	Φ20mm	G3/4"
RMF-Z-20M-EX						DC15W	Φ20mm	G3/4"
RMF-Z-15M-EX						AC13VA	Φ15mm	G1/2"
RMF-Z-20A-EX						DC11W/AC13VA	Φ20mm	G3/4"
RMF-Z-20P-EX						DC15W AC13VA	Φ20mm	G3/4"
RMF-Z-25P-EX							Φ25mm	G1"
RMF-Z-35P-EX						DC13W/AC23VA	Φ35mm	G1 ¹ / ₂ "
RMF-Z-40S-EX							Φ40mm	G1 ¹ / ₂ "
RMF-Z-45P-EX							DC15W/AC13VA	Φ45mm
RMF-Z-50S-EX						Φ50mm		G2"
RMF-Z-62S-EX						Φ62mm		G2 ¹ / ₂ "
RMF-Z-76S-EX						Φ76mm		G3"
RMF-Y-40S-EX						DC13W AC23VA	Φ45mm	G1 ¹ / ₂ "
RMF-Y-50S-EX							Φ50mm	Φ62.5mm
RMF-Y-62S-EX						DC15W AC13VA	Φ62mm	Φ76mm
RMF-Y-76S-EX							Φ76mm	Φ90mm



➤ Pulse signal controller & parts

Sequential controller is main control part of bag filter system. It controls the on/off of pulse solenoid valves sequentially, so circularly the air runs in the bag and shakes off the dust which adsorbs on bag surface, make the bag keep clean and sufficient air permeability.



Pulse signal controller

PIC-20X Pulse signal controller



The PIC-20X controller is made from PC coated aluminum alloy. It has microprocessor, can adjust the width as per different clean request.

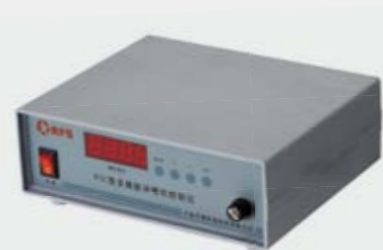
Its output signal directly controls the solenoid valves.

The controller is stable and easy to use.

Can be installed in the control room or on the dust collector machinery directly.

Input voltage	AC220V±10%50Hz/60Hz
Output voltage	DC24V AC110V AC220V
Output current	≤ 15VA
Power	1A
Interval Range	1~50S
Width Range	30-300ms
Output lines	4~20 Lines
Volume	280×220×110mm

PIC-64 Pulse signal controller



The controller is controlled by microprocessor. It can adjust the pulse interval and width as the requirement of the dust remover.

PIC-20S Pulse signal controller



It is made from engineering plastic, good in dust and water proof, easy to install, Stable working.

Model	PIC-64	PIC-20S
Input voltage	AC220V±10%50Hz/60Hz	AC110V±10%50Hz/60Hz
Output voltage	DC24V AC110V AC220V	
Output current		1A
Power consumption		≤ 15VA
Interval time range		1~250S
On time range		30~2500ms
Output lines no		1-20 Lines
Working environment	Temp : -40°C ~±80°C humidity : ≤ 85%	no strong corrosive fluid and no conductive dust no strenuous vibration and shock
Install method	separately or within the control box	
Weight	1.4kg (different according to different lines)	
Dimension	200×170×75mm	164×154×84mm

RMV-8A



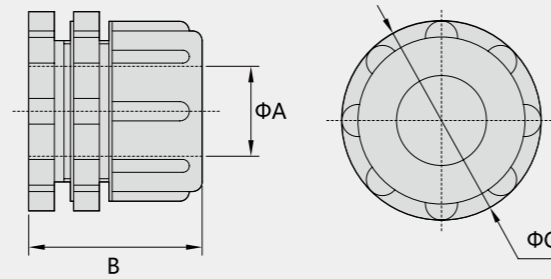
Input voltage	AC110V - AC220V±10% 50Hz/60Hz
Output voltage	AC110V - AC220V DC24V
Power consumption	1A
Power	≤ 20VA
Interval time range	1~250S
On time range	10~2500ms
Output lines no	1~8 Lines
Working environment	temp. : -40°C ~±80°C humidity : ≤ 85% no strong corrosive fluid and no conductive dust no strenuous vibration and shock
Install method	separately or within the control box
Weight	0.5kg (different according to different lines)
Dimension	190×125×58mm (different according to different lines)

RMV-64



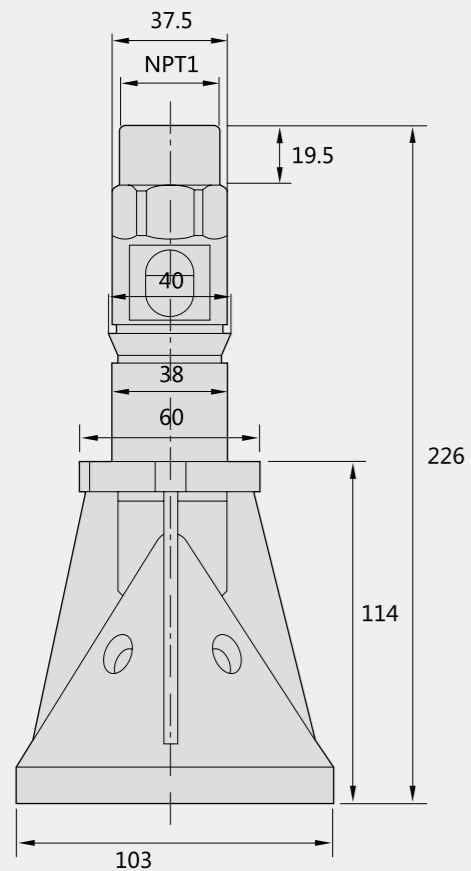
Input voltage	AC220V±10% 50Hz/60Hz AC110V±10% 50Hz/60Hz
Output voltage	DC24V AC110V AC220V
Power consumption	1A
Power	≤ 15VA
Interval time range	1~120S
On time range	30~2500ms
Output lines no	2~64 Lines
Working environment	temp. : -40°C ~±80°C humidity : ≤ 85% no strong corrosive fluid and no conductive dust no strenuous vibration and shock
Install method	separately or within the control box
Weight	1.1kg (different according to different lines)
Dimension	250×190×105mm (different according to different lines)

RB CONNECTION



Overall dimension				
Model	symbol	A	B	C
RB-25		35	67.5	77.5
RB-40		50	92.5	92

Plastic Venturi Tube



Diaphragm

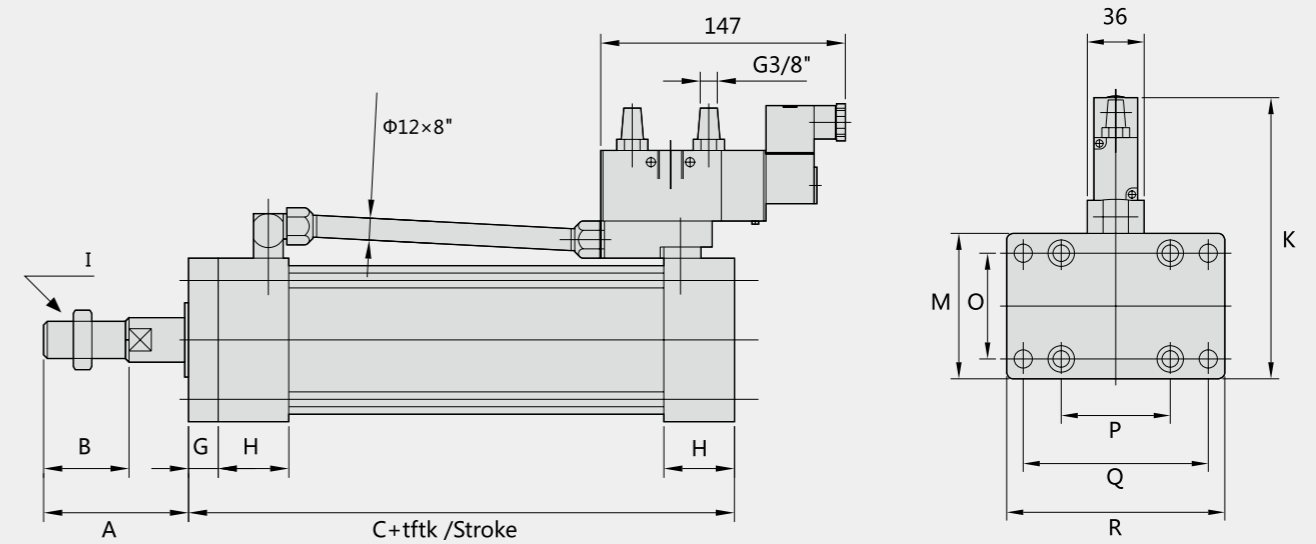
Diaphragm is the one of the most important components in pulse valve, our diaphragm is made from import material. It has good antifatigue, ageing resistance etc. We offer better quality than others in this field. We also offer special diaphragms as per customer's request.



Cylinder (With Solenoid valve)

Code No

RQG **F** **63** x **125** - **180** **W85**
 Cylinder with solenoid valves Blank without Flange F Flange DIA Stroke Size A Size B



Overall dimension														
DIA	symbol	A	B	C	G	H	I	J	K	M	O	P	Q	R
32	According to customer requirements			103	10	30	M10*1.25	12	140	47	33	33	58	72
40				103	10	30	M12*1.25	16	145	52	37	37	70	84
50				103	10	30	M16*1.5	20	158	65	47	47	86	104
63				111	12	33	M16*1.5	20	169	76	56	56	98	116
80				136	16	40	M20*1.5	25	188	95	70	70	119	143
100				136	16	40	M20*1.5	25	208	115	84	84	138	162
125				137	20	38	M27*2	32	231	138	104	104	168	196
160				150	25	40	M27*2	40	265	172	134	134	208	240