

The product with small dimension, good shape, large flow, sensitive action and long service life.

- 78-79
2W Series (Large orifice)
- 80-81
2W Series
- 82-83
2L Series
- 84-85
SB115 Series
- 86-87
PU Series
- 88-93
SB116 Series
- 94-95
BMC Series

➤ 2W(S) (large orifice) Two-Position Two-Way Solenoid Valve

R 2 W (S)(large orifice)

Various material for you chose,
Reasonable design , Reliable quality



Ordering Code

R	-	2W	-	160	-	15	-	K	-	□	-	□
RFS product		Valve body 2W Brass 2S stainless steel 2WH high temperature type 2P plastic		Orifice 160 16mm 200 20mm 250 25mm 350 35mm 400 40mm 500 50mm		Connection port 10 (15) 3/8" 1/2" 20 3/4" 25 1" 35 1 1/4" 40 1 1/2" 50 2"		Initial state Blank normal close K normal open		Standard voltage DC12V DC24V AC24V AC36V AC110V AC220V AC380V		Seal code Blank NBR V VITON E EPDM

Parameters

Model	Media	Working type	Pattern	Orifice (mm)	Cv Value	Connection ports	Fluid viscosity	Working pressure (MPa)	Max. pressure (MPa)	Working temp (°C)	Rated voltage	Power	Valve body material	Seal material
R2W160-10	Air Water Oil	Direct action	Normally close	16	4.8	3/8"	< 20CST	Air 0-1.0 Water 0-0.7 Oil 0-0.7	1.0	-5-80	DC12-24V AC24V-380V ±10%	DC23.4W AC26VA DC40W AC50VA	Brass Stainless steel	NBR EPDM VITON
R2W160-15				16	4.8	1/2"								
R2W200-20				20	7.6	3/4"								
R2W250-25				25	12	1"								
R2W350-35				35	24	1 1/4"								
R2W400-40				40	29	1 1/2"								
R2W500-50	50	48	2"											

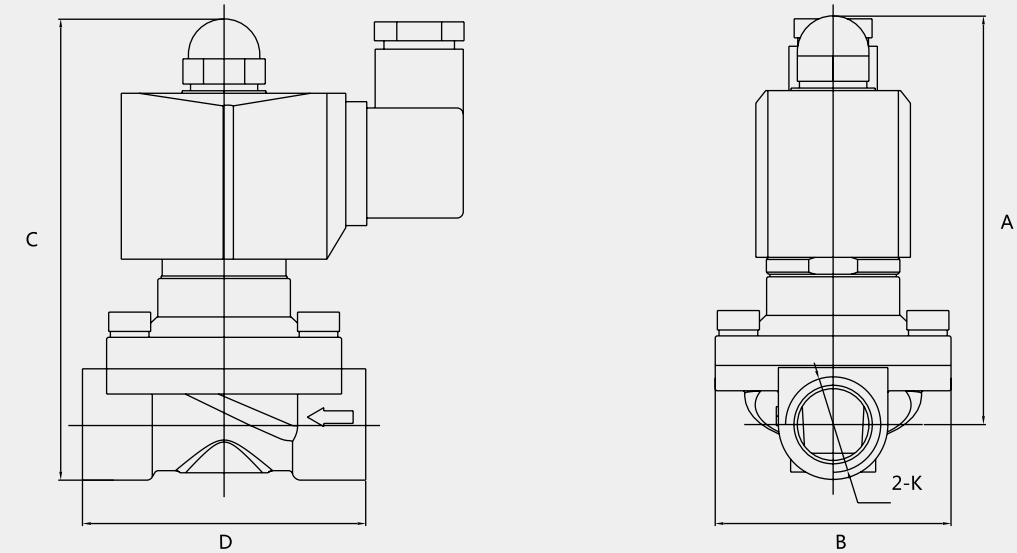
Overall Dimension

Speciality

- Direct acting, diaphragm structure, can be work at zero pressure, expanding the using area.
- Plate diaphragm structure, high reliability, long life.
- Valve body can be made from brass, stainless steel.
- plastic encapsulating coil , be able to use under numerous environment.



Overall Dimension



Model	A	B	C	D	K
2w160-10	93	56	106	69	G3/8"
2w160-15	93	56	106	69	G1/2"
2w200-20	100	55	117	73	G3/4"
2w250-25	104	78	125	99	G1"
2w350-35	141	93	172	124	G1 1/4"
2w400-40	141	93	172	124	G1 1/2"
2w500-50	157	124	195	172	G2"

➤ R2W(S)Series Two-Position Two-Way Solenoid Valve

R2W(S)

The material of Valve is optional,
reasonable design, reliable quality



Ordering Code

R	-	2W	-	025	-	06	-	NO	-	□	-	□
RFS product		Material 2W brass 2S stainless steel 2WH high temperature type 2P Plastic		Orifice 012 1.2mm 020 2.0mm 025 2.5mm 040 4.0mm		Connection port 06 1/8" 08 1/4" 10 3/8"		Initial State Blank Normal Close NO Normal Open		Standard Voltage DC12V DC24V AC24V AC36V AC110V AC220V AC380V		Seal Code Blank NBR V VITON E EPDM

Parameters

Model	Media	Working type	Pattern	Orifice (mm)	Cv Value	Connection ports	Fluid viscosity	Working pressure (MPa)	Max. pressure (MPa)	Working temp (°C)	Rated voltage	Power	Valve body material	Seal material
R2W025-06	Air Water Oil	Direct action	Normally close	2.5	0.23	1/8"	< 20CST	Air	1.0	-5~80	DC12-24V	DC20.9W AC26VA	Brass	NBR VITON EPDM
R2W025-08				2.5	0.23	1/4"		Water	1.0					
R2W040-10				4	0.60	3/8"		Gas	1.0					
R2W012-06				1.2	0.05	1/8"		Air	3.5					
R2W012-08				1.2	0.05	1/4"		Water	3.5					
R2W020-10				2	0.15	3/8"		Oil	3.5					

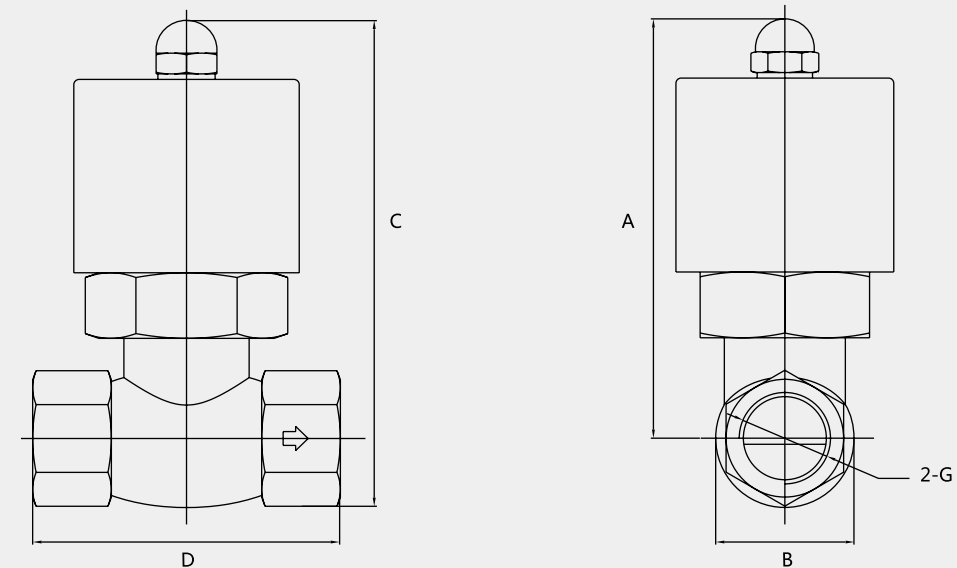
Overall Dimension

Speciality

2W series is direct acting type two-position two-way solenoid valve, which can work at Zero pressure with good shape and large flow. It is a common components used for industrial pipes.
Connection port : G1/8"~G3/8"
Working pressure : 0~0.8MPa
Operating Temperature : -5~80°C



Overall Dimension



Model	A	B	C	D	G
2W025-06	66	30	75	40.5	G1/8"
2W025-08	66	30	75	40.5	G1/4"
2W040-10	72.5	32	83.5	55	G3/8"
2W012-06	66	30.3	75	40.5	G1/8"
2W012-08	66	30.3	75	40.5	G1/4"
2W020-10	74	32.2	85.5	52.5	G3/8"

➤ 2L series Two-position Two-way Solenoid valve

2L



Ordering Code

2L	-	170	-	15	-	
2L Steam Valve		Orifice		Connection port		Standard Voltage
		170 17mm		10 3/8"		DC12V
		200 20mm		15 1/2"		DC24V
		300 30mm		20 3/4"		AC24V
		500 50mm		25 1"		AC36V
				35 1 1/4"		AC110V
				40 1 1/2"		AC220V
				50 2"		AC380V

Parameters

Model	Media	Working type	Pattern	Orifice (mm)	Cv Value	Connection ports	Fluid viscosity	Working pressure (MPa)	Max. pressure (MPa)	Working temp (°C)	Rated voltage	Power	Valve body material	Seal material
2L170-10	Air Water Steam	Direct action	Normally close	17	4.8	3/8"	< 20CST	0.1~1.5	2.5	-5-180	DC12-24V AC24V-380V	DC40W AC50VA	Brass	PTFE
2L170-15				17	4.8	1/2"								
2L170-20				17	4.8	3/4"								
2L200-25				22	12	1"								
2L300-35				30	20	1 1/4"								
2L300-40				30	20	1 1/2"								
2L500-50				50	48	2"					±10%			

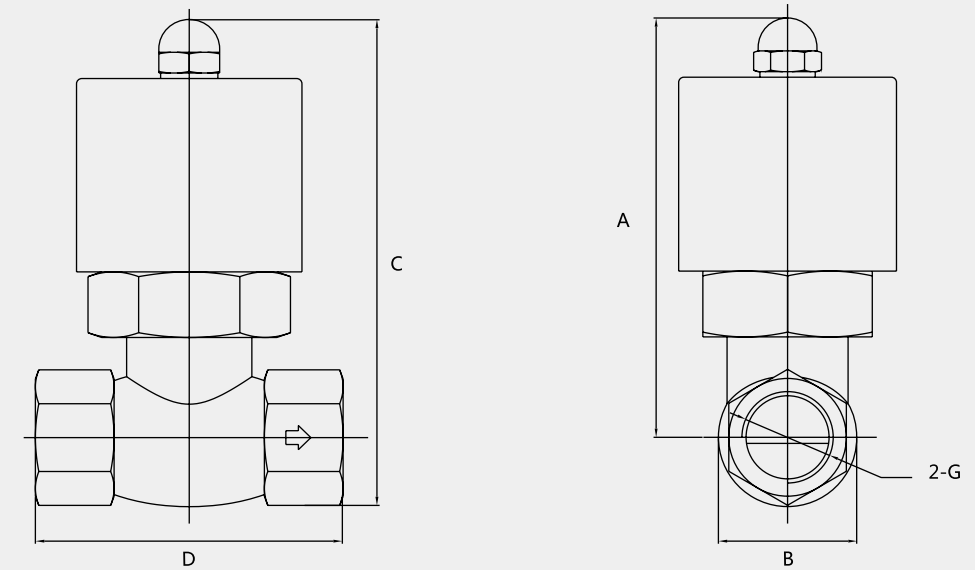
Overall Dimension

Speciality

- Using PTFE sealing, it is suitable for high temperature fluid flow.
- Top-centre structure, automatic sealing compensation extended the service life of valve
- Solenoid magnetic field design can make this valve reach higher pressure
- The balance of piston gap design enhance the reliable of valve in high temperature.



Overall Dimension



Model	A	B	C	D	G
2L170-10	125	42	146	82	3/8"
2L170-15	125	42	146	82	1/2"
2L170-20	125	42	146	82	3/4"
2L200-25	136	52	162	90.5	1"
2L300-35	148	74	185	111	1 1/4"
2L300-40	148	74	185	111	1 1/2"
2L500-50	176	94.5	223	163	2"

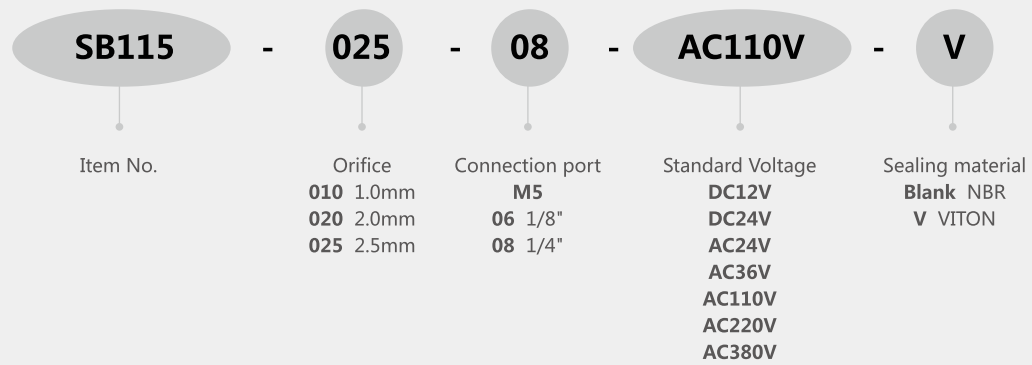
➤ SB115 Series Two-position Two-way Solenoid valve

SB115

Small dimension, fast action and low noise.



Ordering Code

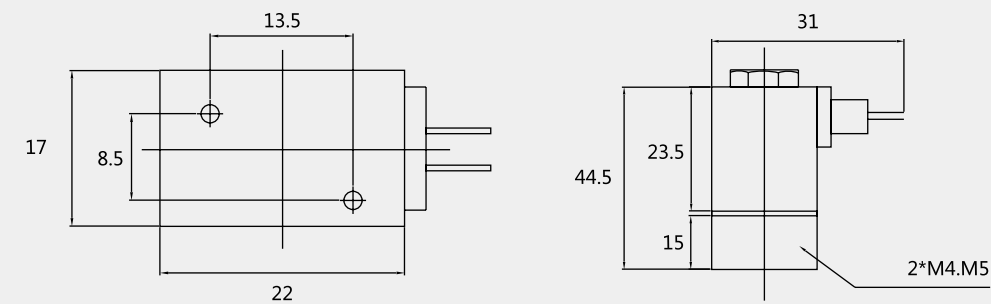


Specification

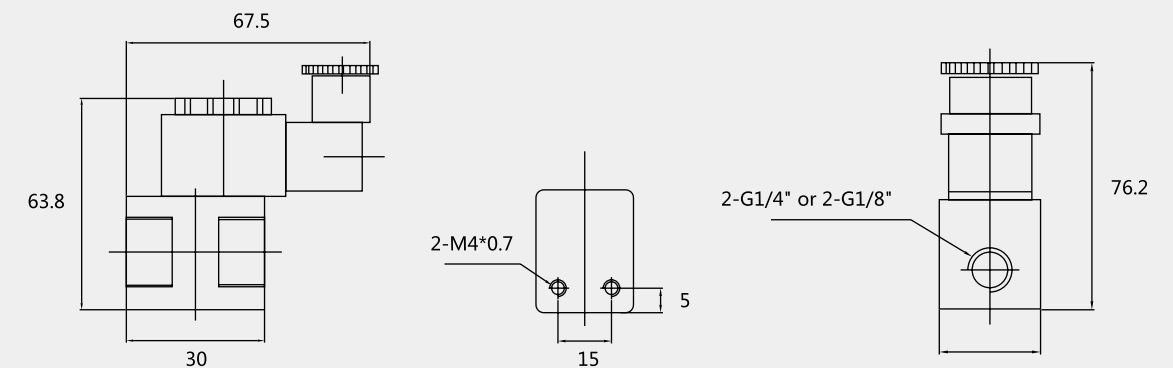
Model	SB115-010-M5	SB115-025-06	SB115-025-08
Media	Air / Water / Oil		
Working type	Direct action		
Pattern	Normally close		
Orifice	1.0mm	2.0mm/2.5mm	
Cv Value	0.10	0.23	
Connection ports	M5	1/8"	1/4"
Fluid viscosity	< 20CST		
Working pressure	0~0.8MPa	0~1.6MPa/0~0.8MPa	
Max. pressure	1.2MPa	1.6MPa	
Working temp	DC12-24V/AC24V-380V ±10%		
Protection class	IP65		
Power consumption	AC:5.5VA DC:6W		
Insulation class	F class		
Valve body material	Aluminum / Brass / Stainless steel		
Seal material	NBR or VITON		
Response time	0.05S		



SB115-010



SB115-025



➤ PU series Two-Position Two-way Solenoid valve

PU

Compact and good appearance, small dimension
It can work at low pressure
Coil made from thermosetting plastic encapsulating



Ordering Code

PU

Pu series

225S

Specification
220 brass two-position, two-way valve
225 brass two-position, two-way valve
225S two-position two-way stainless steel valve

10

Connection port
06 1/8"
08 1/4"
10 3/8"
15 1/2"
20 3/4"
25 1"
35 1 1/4"
40 1 1/2"
50 2"

A

Installing form
A standard
F flange form

AC220V

Standard voltage
DC12V
DC24V
AC24V
AC36V
AC110V
AC220V
AC380V

Parameters

Model	Media	Working type	Pattern	Orifice (mm)	Cv Value	Connection ports	Medium viscosity	Working pressure	Max. pressure	Rated voltage	Power	Working temp
PU225-10A	Air Water Oil	Direct action / Diaphragm Type	Normally close	13	4.5	3/8"	< 50CST	0 ~ 7bar	10.5bar	DC12-24V AC24V-380V ±10%	DC22W AC27VA	-5 ~ 80°C
PU225-15A				13	4.5	1/2"						
PU225-20A				25	12	3/4"						
PU225-25A				25	12	1"						
PU225-35A				38	22	1 1/4"						
PU225-40A				38	30	1 1/2"						
PU225-50A	50	48	2"									

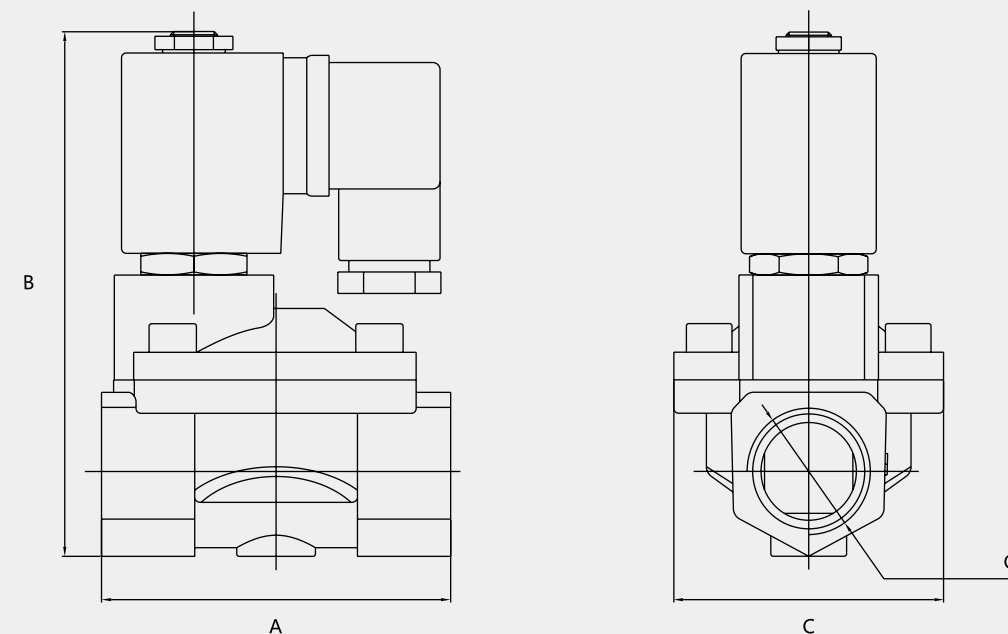
Overall Dimension

Speciality

- Compact and good appearance, small dimension
- Direct acting, diaphragm structure, it can work at low pressure
- Coil made from thermosetting plastic encapsulating, the protection class IP65, the temperature class can reach H Class.



Overall Dimension



Model	A	B	C	G
PU225-10A	66.5	106.5	48.0	G3/8"
PU225-15A	66.5	106.5	48.0	G1/2"
PU225-20A	96.0	126.0	70.0	G3/4"
PU225-25A	96.0	126.0	70.0	G1"
PU225-35A	131.0	145.5	96.0	G1 1/4"
PU225-40A	131.0	145.5	96.0	G1 1/2"
PU225-50A	160	160.0	112.0	G2"

➤ SB116 Series Two-Position Two-way Solenoid valve

SB116

No-water hammer impact ,low noise, stable working, large flow, long service life.



Ordering Code

SB116

-

2A

10

08

-

AC110V

Item No.

Code Form

Orifice

Connection port

Standard voltage

2A Zero pressure
2B Differential pressure
4 High temperature
5 High Pressure
2AS Zero pressure Stainless Steel
2BS Low pressure Stainless Steel

08 8mm
10 10mm
13 13mm
14 14mm
20 20mm
25 25mm
40 40mm
50 50mm

08 1/4"
10 3/8"
15 1/2"
20 3/4"
25 1"
35 1 1/4"
40 1 1/2"
50 2"

DC12V
DC24V
AC24V
AC36V
AC110V
AC220V
AC380V

SB116-2A

Specification

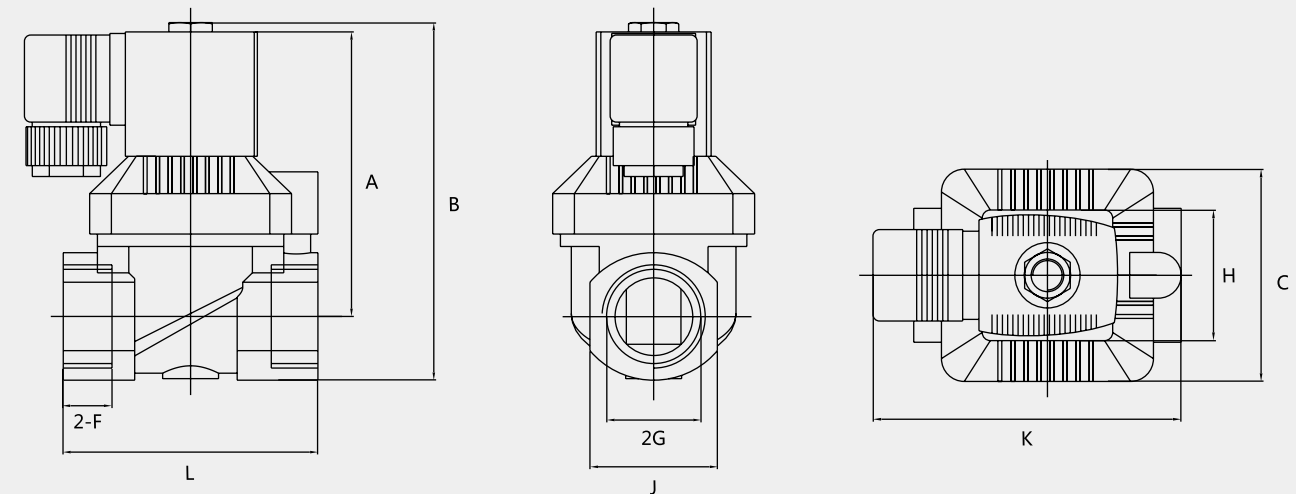
Model	Orifice	Connection ports	Working pressure	Ambient Temp.	Medium Temp.	Kv value (m3/h)	Power consumption		Response Frequency	Voltage
							AC(VA)	DC(W)		
SB116-2A1008	10mm	G1/4	0~1.0MPa	-10~+55°C	-10~+90°C	2	14	8	≥ 1Hz	DC12V DC24V AC24V AC36V AC110V AC220V AC380V ±10%
SB116-2A1010	10mm	G3/8				2	14	8	≥ 1Hz	
SB116-2A1015	10mm	G1/2				3.6	14	8	≥ 1Hz	
SB116-2A1415	14mm	G1/2				8.3	14	8	≥ 0.5Hz	
SB116-2A1420	14mm	G3/4				8.3	14	8	≥ 0.5Hz	
SB116-2A2020	20mm	G3/4				4.8	17	20	≥ 0.5Hz	
SB116-2A2025	20mm	G1				4.8	17	20	≥ 0.5Hz	

Speciality

- Working at Zero Pressure and used below 90°C
- It can be used in gas,water,oil,weak acid& Alkali.
- Low noise, No-water hammer impact ,low noise, stable working, large flow, long service life.
- Coil model:BD-A-3
- Change to Ex-proof & suitable armature, it can used as Ex-proof valve. The coil made from thermosetting plastic encapsulating, the protection class IP65.Plug confirms with ISO standard.



Overall Dimension



Model	G	C	F	L	J	A	B	H	K
SB116-2A1008	G1/4"	38	14	50	26	71	85	40	80
SB116-2A1010	G3/8"	38	14	50	26	71	85	40	80
SB116-2A1015	G1/2"	38	14	50	26	71	85	40	80
SB116-2A1415	G1/2"	45	16	58	31	82	96	40	80
SB116-2A1420	G3/4"	45	16	58	31	82	96	40	80
SB116-2A2020	G3/4"	65	18	82	41	96	117	40	95
SB116-2A2025	G1"	65	18	82	41	96	117	40	95

SB116-2B

Specification

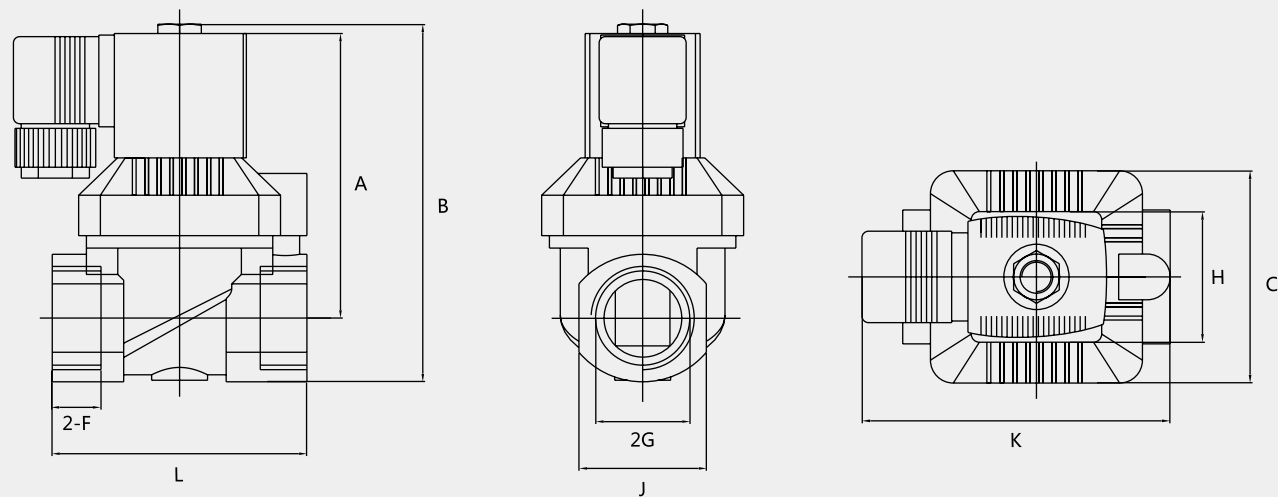
Model	Orifice	Connection ports	Working pressure	Ambient Temp.	Medium Temp.	Kv value (m3/h)	Power consumption		Response Frequency	Voltage
							AC(VA)	DC(W)		
SB116-2B1008	10mm	G1/4	0.02 ~1.0MPa	-10~+55°C	-10~+90°C	1.4	14	12	≥ 1Hz	DC12V DC24V AC24V AC36V AC110V AC220V AC380V ±10%
SB116-2B1010	10mm	G3/8				1.4	14	12	≥ 1Hz	
SB116-2B1015	10mm	G1/2				1.4	14	12	≥ 1Hz	
SB116-2B1415	14mm	G1/2				2.52	14	12	≥ 0.5Hz	
SB116-2B1420	14mm	G3/4				2.52	14	12	≥ 0.5Hz	
SB116-2B2020	20mm	G3/4				5	14	12	≥ 0.5Hz	
SB116-2B2025	20mm	G1				5	14	12	≥ 0.5Hz	
SB116-2B4035	40mm	G1 ¹ / ₄				18	14	12	≥ 0.33Hz	
SB116-2B4040	40mm	G1 ¹ / ₂				18	14	12	≥ 0.33Hz	
SB116-2B5050	50mm	G2				28	14	12	≥ 0.33Hz	

Speciality

- Working at Zero Pressure and used below 90°C
- It can be used in gas,water,oil,weak acid& Alkali.
- Low noise, No-water hammer impact ,low noise, stable working, large flow, long service life.
- Coil model:BD-A-3
- Change to Ex-proof & suitable armature, it can be used as Ex-proof valve. The coil made from thermosetting plastic encapsulating, the protection class IP65.Plug confirms with ISO standard.



Overall Dimension



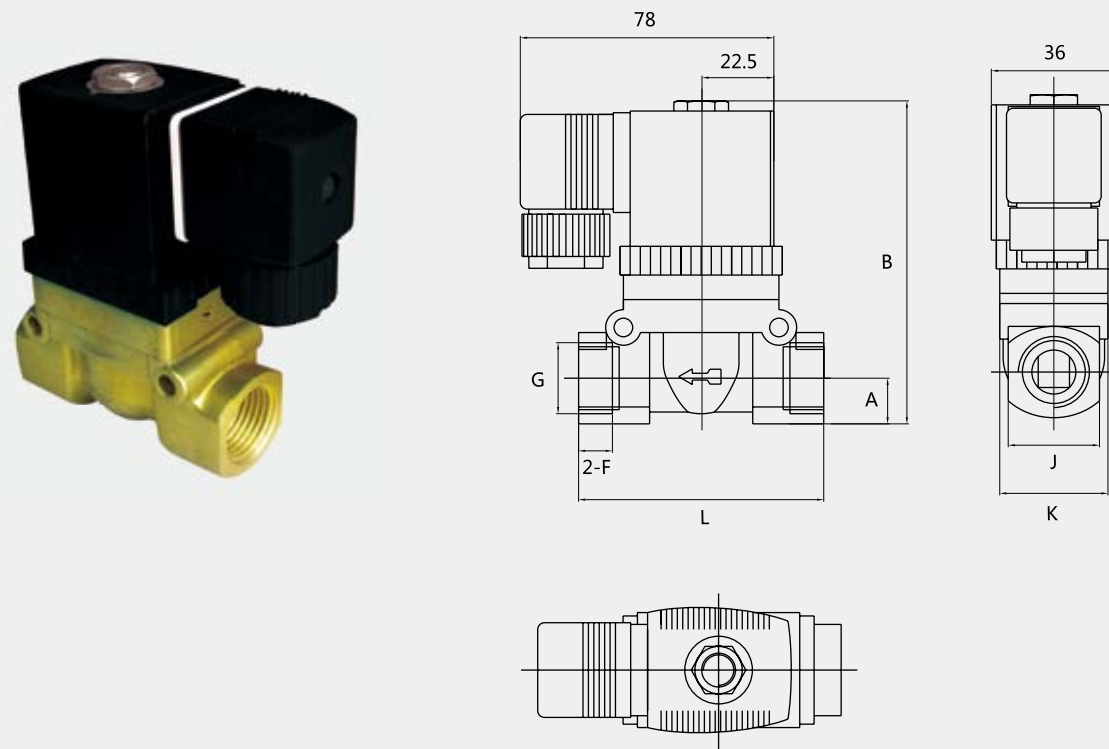
Model	G	C	F	L	J	A	B	H	K
SB116-2B1008	G1/4"	38	14	50	26	71	85	40	80
SB116-2B1010	G3/8"	38	14	50	26	71	85	40	80
SB116-2B1015	G1/2"	38	14	50	26	71	85	40	80
SB116-2B1415	G1/2"	45	16	58	31	82	96	40	80
SB116-2B1420	G3/4"	45	16	58	31	82	96	40	80
SB116-2B2020	G3/4"	65	18	82	41	96	117	40	80
SB116-2B2025	G1"	65	18	82	41	96	117	40	80
SB116-2B4035	G1 ¹ / ₄ "	96	20	132	58	112	145	40	80
SB116-2B4040	G1 ¹ / ₂ "	96	20	132	58	112	145	40	80
SB116-2B5050	G2"	111	22	160	70	125	166	40	80

SB116-4

Specification

Model	Orifice	Connection ports	Working pressure	Ambient Temp.	Medium Temp.	Kv value (m3/h)	Power consumption		Response Frequency	Voltage
							AC(VA)	DC(W)		
SB116-40808	8mm	G1/4"	0.05 ~1.6MPa	-20~+55°C	0~+180°C	3.6	14	12	≥ 1Hz	DC12V DC24V AC24V AC36V AC110V AC220V AC380V ±10%
SB116-41010	10mm	G3/8"				3.6	14	12	≥ 1Hz	
SB116-41315	13mm	G1/2"				3.6	14	12	≥ 1Hz	
SB116-42520	25mm	G3/4"				11	14	12	≥ 0.5Hz	
SB116-42525	25mm	G1"				11	14	12	≥ 0.5Hz	

Overall Dimension



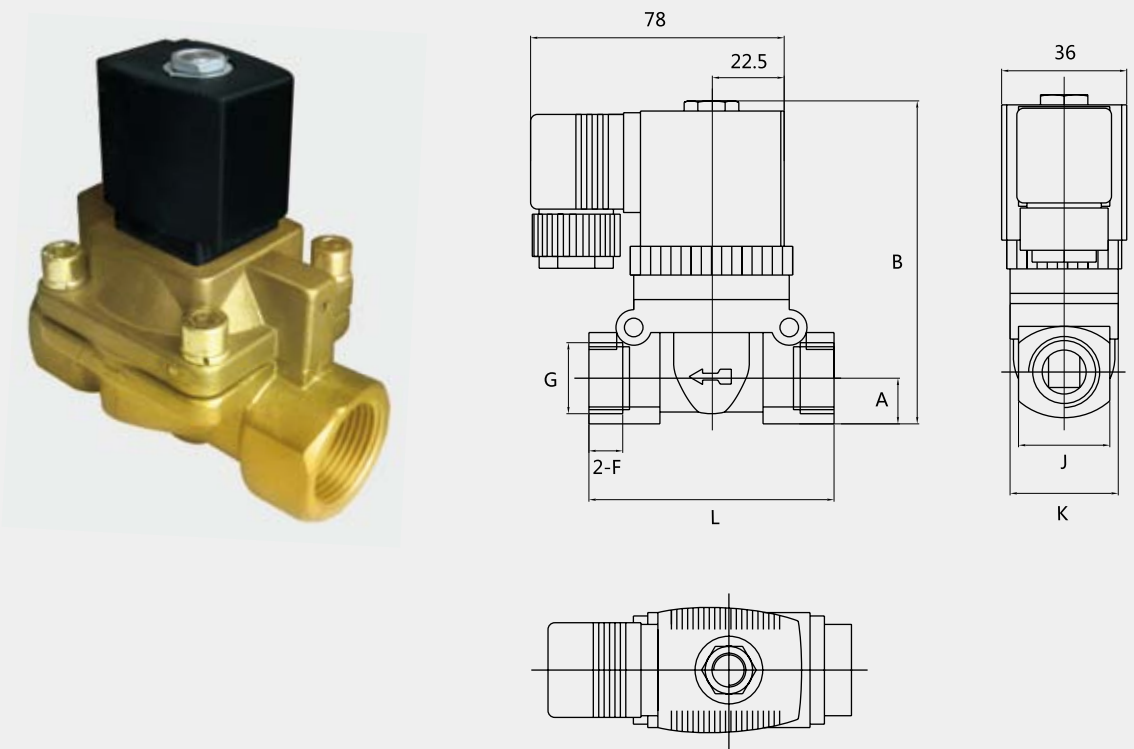
Model	G	F	J	K	L	B	A
SB116-42525	G1"	18	40	60	90	124	20
SB116-42520	G3/4"	16		60	90	124	20
SB116-41315	G1/2"	12		34	65	97	16
SB116-41010	G3/8"	12		34	65	97	16
SB116-40808	G1/4"	12		34	65	97	16

SB116-5

Specification

Model	Orifice	Connection ports	Working pressure	Ambient Temp.	Medium Temp.	Kv value (m3/h)	Power consumption		Response Frequency	Voltage
							AC(VA)	DC(W)		
SB116-51308	13mm	G1/4"	0.1 ~5.0MPa	-20~+55°C	0~+90°C	2.52	14	8	≥ 1Hz	DC12V DC24V AC24V AC36V AC110V AC220V AC380V ±10%
SB116-51310	13mm	G3/8"				2.52	14	8	≥ 1Hz	
SB116-51315	13mm	G1/2"				2.52	14	8	≥ 1Hz	
SB116-52020	20mm	G3/4"				5.0	14	8	≥ 0.5Hz	
SB116-52525	25mm	G1"				8.5	14	8	≥ 0.5Hz	

Overall Dimension



Model	G	F	J	K	L	B	A
SB116-51308	G1/4"	12	40	34	65	97	16
SB116-51310	G3/8"	12		34	65	97	16
SB116-51315	G1/2"	12		34	65	97	16
SB116-52020	G3/4"	16		60	90	124	20
SB116-52525	G1"	18		70	116	123	20.5

➤ RBMC diaphragm Solenoid valve

RBMC



Ordering Code



Specification

Model	RBMC-160-15	RBMC-200-20	RBMC-250-25
Media	Air / Water / Oil		
Working type	Direct action		
Pattern	Normally close		
Orifice	16mm	20mm	25mm
Connection ports	G1/2" G3/4" G1"		
Working pressure	Air 0Pa~1.0MPa Water 0Pa~0.7MPa Oil 0Pa~0.7MPa		
Medium viscosity	< 20CST		
Working temp	-5~80°C		
Working Pressure	DC12-24V/AC24V-380V ±10%		
Power	AC28VA DC20W		
Max. pressure	1.2MPa		
Valve body material	BMC		
Seal material	NBR / EPDM or VITON		

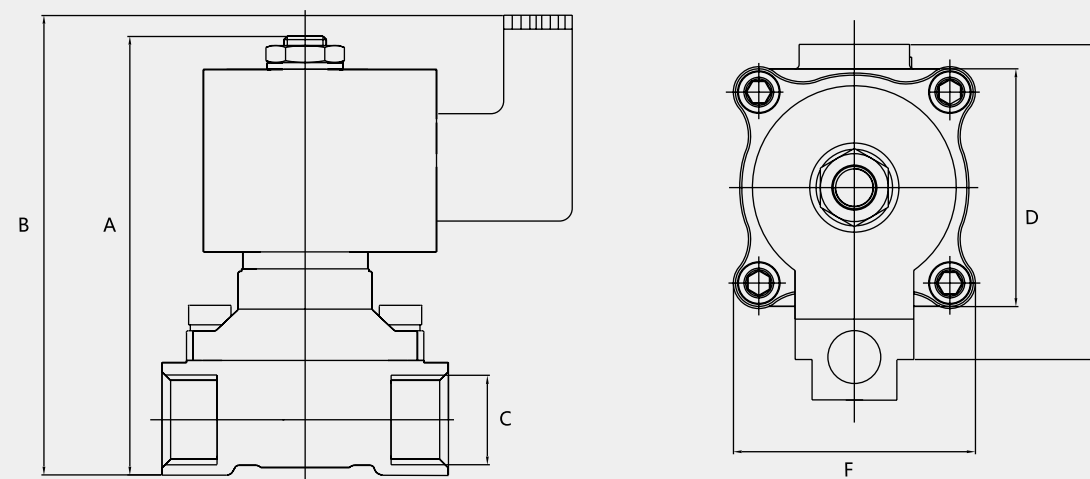
Overall Dimension

Speciality

- Direct-acting, diaphragm structure, it can work at Zero Pressure.
- Plate type diaphragm structure, it is reliable of starting and off.
- Valve body material: BMC
- Choosing thermosetting plastic encapsulating coil which make the valve used in different kinds of environment



Overall Dimension



Model	RBMC-15	RBMC-20	RBMC-25
A	115mm	115mm	124mm
B	118mm	118mm	127mm
C	G1/2"	G3/4"	G1"
D	67mm	67mm	74mm
E	80mm	80mm	103mm
F	64mm	64mm	74.5mm