

low power consumption, exhaust for the pilot and main valve, small size, large flow , good appearance, flexible, can be integrated installation , high wear resistance and long life.

- 56-59
100
- 60-65
200
- 66-71
300
- 72-73
400
- 74-75
3V1 Series

➤ 4V100 Series

4V100

low power consumption, exhaust for the pilot and main valve,
small size, large flow, good appearance, flexible, can be
integrated installation, high wear resistance and long life.



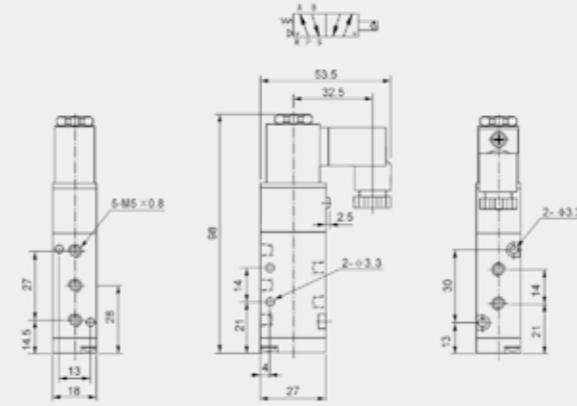
Ordering Code

4V	1	10	06	B	AC220V	W
Type 4V 5/2 or 5/3 way solenoid valve 4A 5/2 or 5/3 way pneumatic control valve 3V 3/2 way solenoid valve 3A 3/2 way pneumatic control valve	Series code 100 Series	Coil and position 10 single-coil double-position 20 double-coil double-position 30C double-coil three-position center close type 30E double-coil three-position center exhaust type 30P double-coil three-position center pressure type	Joint pipe bore M5 M5×0.8 06 1/8"	Connection type Blank Thread type B Namur	Standard voltage DC12V DC24V AC24V 50Hz/60Hz AC110V 50Hz/60Hz AC220V 50Hz/60Hz AC380V 50Hz/60Hz	Terminal Blank Black connector LD brown with LED connector LD1 white with LED connector W lead wire type

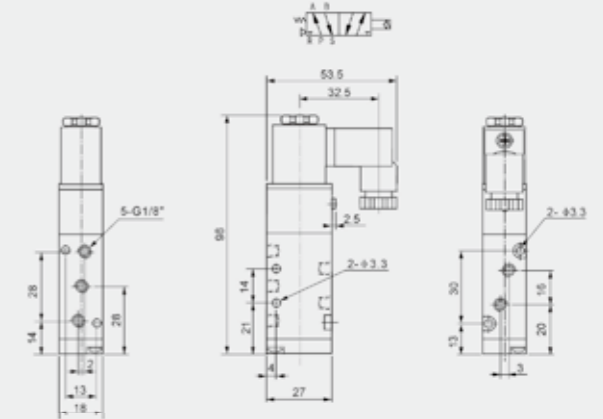
Specification

Model	4V110-M5	4V120-M5	4V130C-M5	4V130E-M5	4V130P-M5	4V110-06	4V120-06	4V130C-06	4V130E-06	4V130P-06	
	4A110-M5	4A120-M5	4A130C-M5	4A130E-M5	4A130P-M5	4A110-06	4A120-06	4A130C-06	4A130E-06	4A130P-06	
Type	5/2		5/3			5/2		5/3			
Flow rate	10mm ² (Cv=0.56)		7mm ² (Cv=0.40)			12mm ² (Cv=0.67)		9mm ² (Cv=0.5)			
Model	3V110-M5	3V120-M5	3A110-M5	3A120-M5	3V110-06	3V120-06	3A110-06	3A120-06			
Type	3/2				3/2						
Flow rate	10mm ² (Cv=0.56)				12mm ² (Cv=0.67)						
Connection ports	Inlet = Outlet = Exhaust = M5x0.8				Inlet = Outlet = Exhaust = G1/8"						
Media	Clean air										
Working type	Pilot										
Working pressure	0.15 ~ 0.8MPa										
Max. pressure	1.2MPa										
Ambient temp.	5 ~ 50°C										
Voltage tolerance	±10%										
Power	AC:2.5VA DC:2.5W										
Insulation class Protection class	F class. IP65										
Terminal	Flying Lead Or Din43650C PIN										
Frequency	5 cycles/s										
Response time	0.05s										

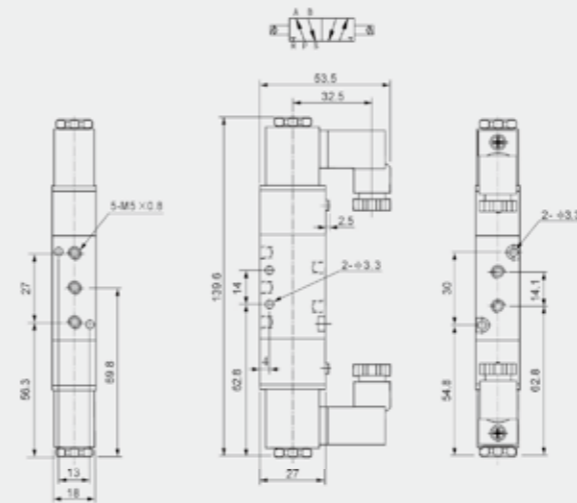
4V110-M5



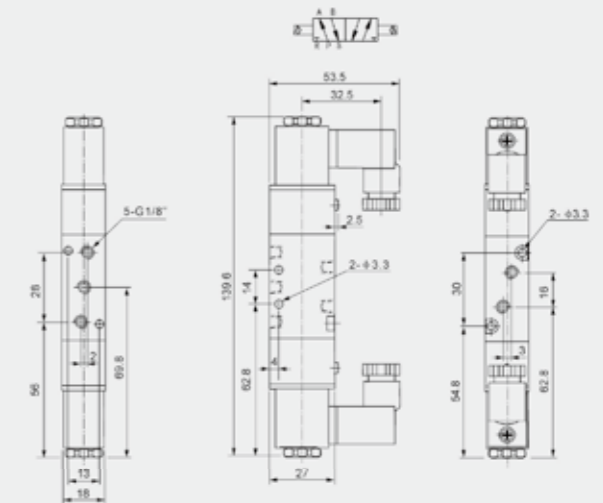
4V110-06



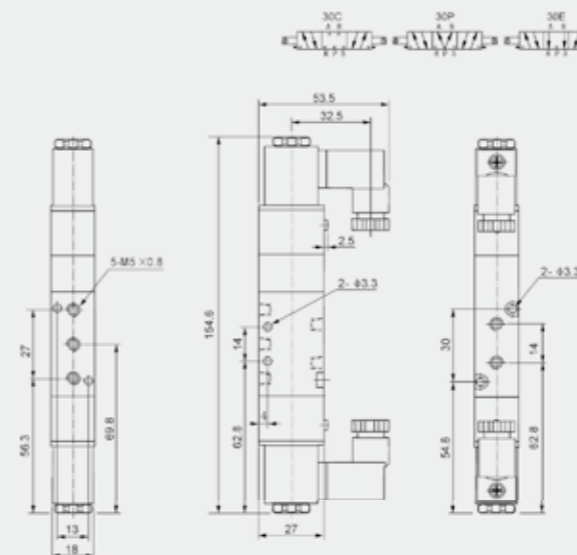
4V120-M5



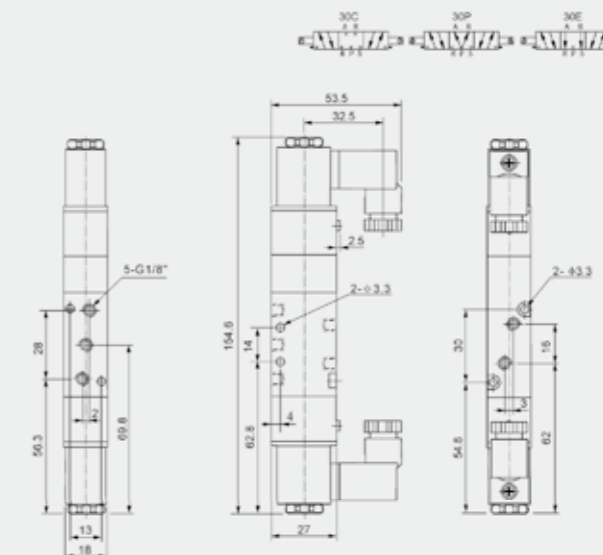
4V120-06



4V130-M5



4V130-06



➤ 4V200Series

4V200

low power consumption, exhaust for the pilot and main valve,
small size, large flow , good appearance, flexible, can be
integrated installation , high wear resistance and long life.



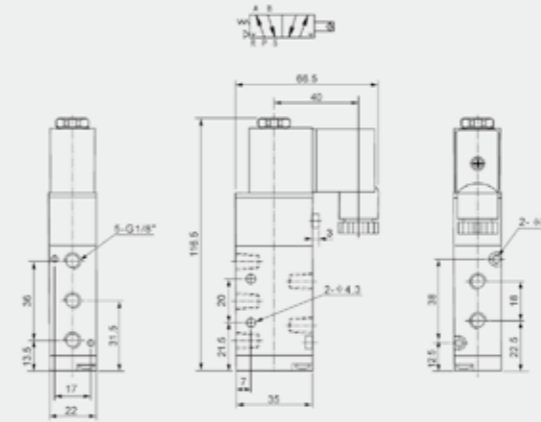
Ordering Code

4V	2	10	06	B	AC220V	W
Type 4V 5/2 or 5/3 way solenoid valve 4A 5/2 or 5/3 way pneumatic control valve 3V 3/2 way solenoid valve 3A 3/2 way pneumatic control valve	Series code 200 Series 30C double-coil three-position center close type 30E double-coil three-position center exhaust type 30P double-coil three-position center pressure type	Coil and position 10 single-coil double-position 20 double-coil double-position	Joint pipe bore 06 1/8" 08 1/4"	Connection type Blank Thread type B Namur	Standard voltage DC12V DC24V AC24V 50Hz/60Hz AC110V 50Hz/60Hz AC220V 50Hz/60Hz AC380V 50Hz/60Hz	Terminal Blank Black connector LD brown with LED connector LD1 white with LED connector W lead wire type

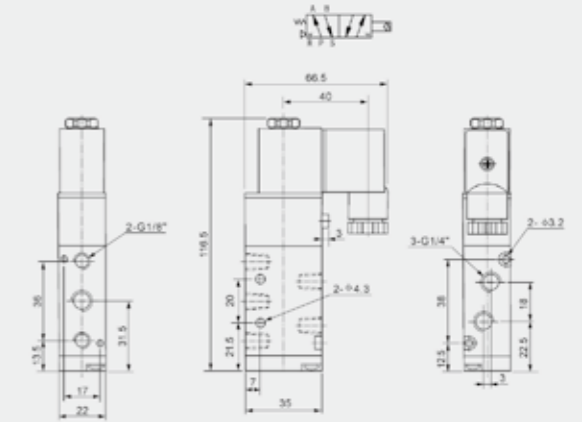
Specification

Model	4V210-06	4V220-06	4V230C-06	4V230E-06	4V230P-06	4V210-08	4V220-08	4V230C-08	4V230E-08	4V230P-08
	4A210-06	4A220-06	4A230C-06	4A230E-06	4A230P-06	4A210-08	4A220-08	4A230C-08	4A230E-08	4A230P-08
Type	5/2		5/3			5/2		5/3		
Flow rate	14mm ² (Cv=0.78)		12mm ² (Cv=0.67)			16mm ² (Cv=0.89)		12mm ² (Cv=0.67)		
Model	3V210-06	3V220-06	3A210-06	3A220-06	3V210-08	3V220-08	3A210-08	3A220-08		
Type	3/2				3/2					
Flow rate	14mm ² (Cv=0.78)				16mm ² (Cv=0.89)					
Connection ports	Inlet = Outlet = Exhaust = G1/8"				Inlet = Outlet = G1/4" Exhaust = G1/8"					
Media	Clean air									
Working type	Pilot									
Working pressure	0.15 ~ 0.8MPa									
Max. pressure	1.2MPa									
Ambient temp.	5 ~ 50°C									
Voltage tolerance	±10%									
Power	AC:4.5VA DC:3W									
Insulation class Protection class	F class. IP65									
Terminal	Flying Lead Or Din43650B PIN									
Frequency	5 cycles/s									
Response time	0.05s									

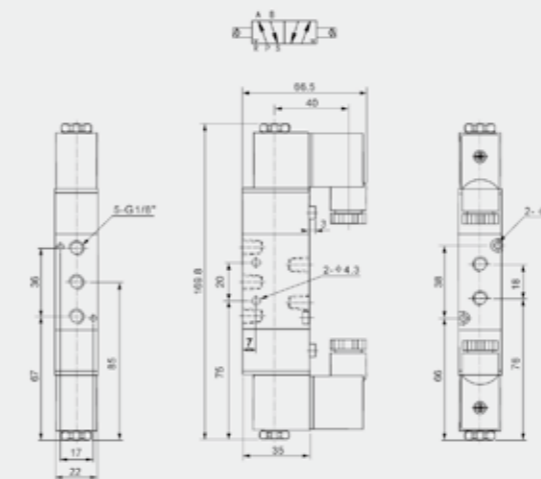
4V210-06



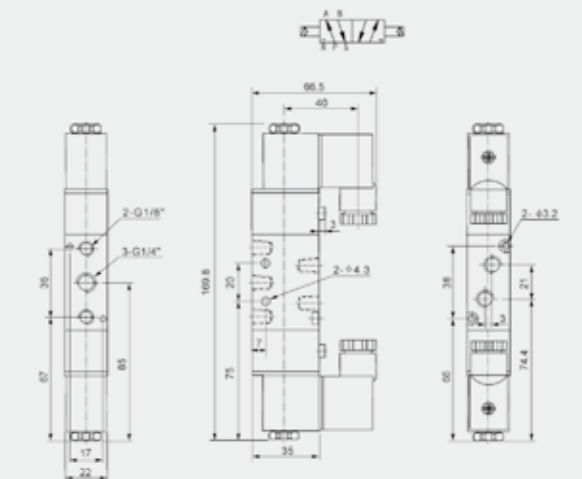
4V210-08



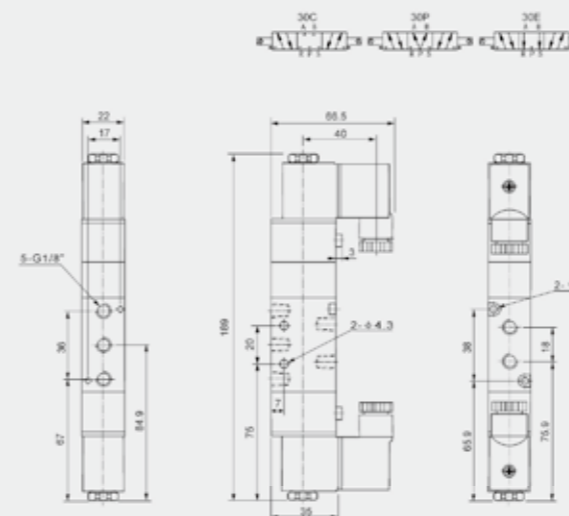
4V220-06



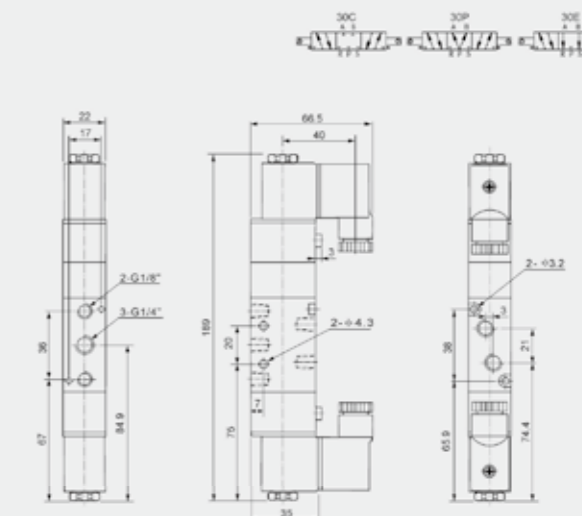
4V220-08



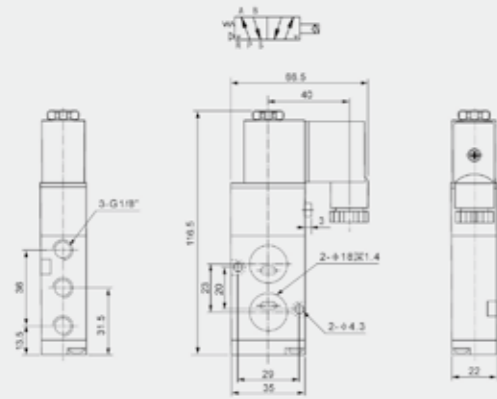
4V230-06



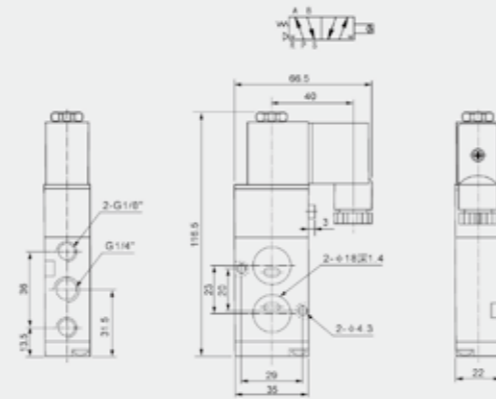
4V230-08



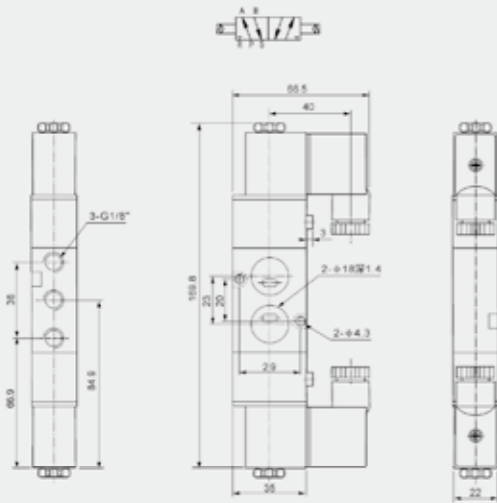
4V210-06B



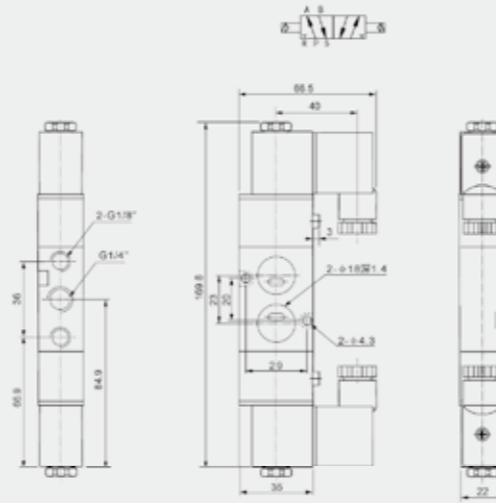
4V210-08B



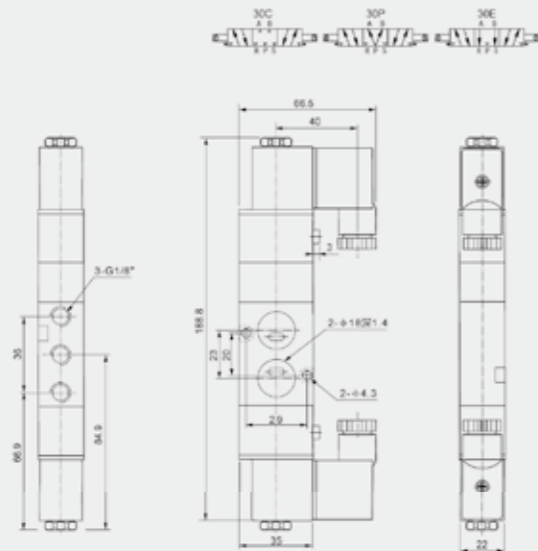
4V220-06B



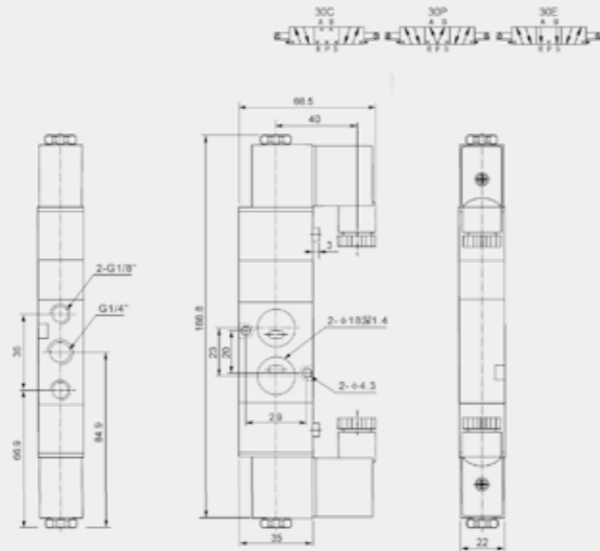
4V220-08B



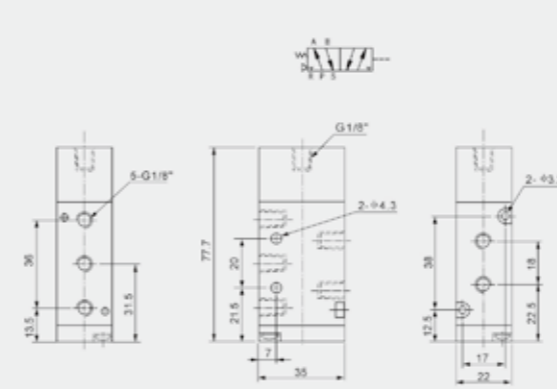
4V230-06B



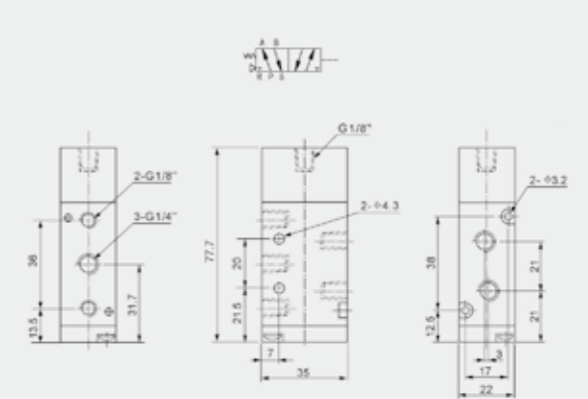
4V230-08B



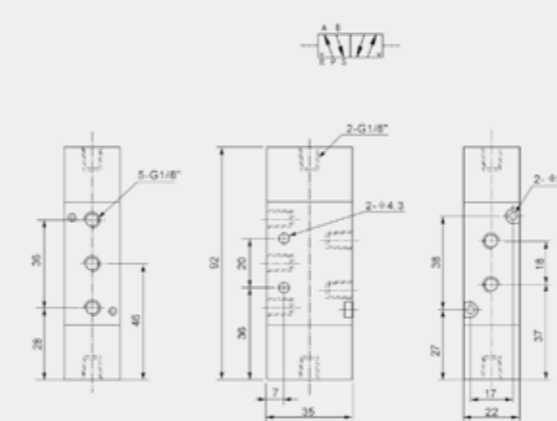
4A210-06



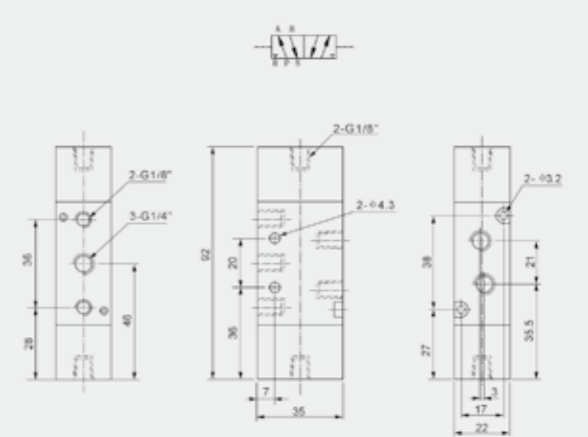
4A210-08



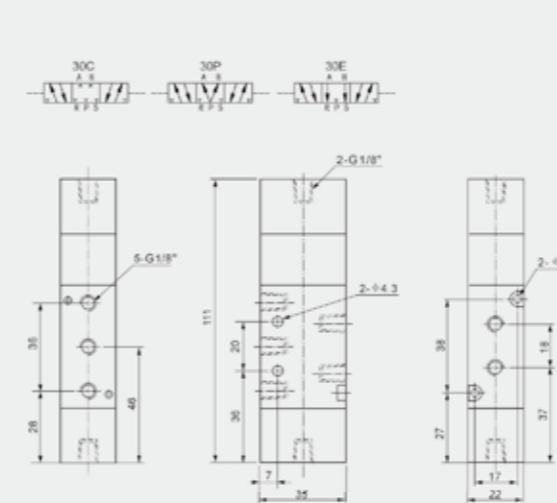
4A220-06



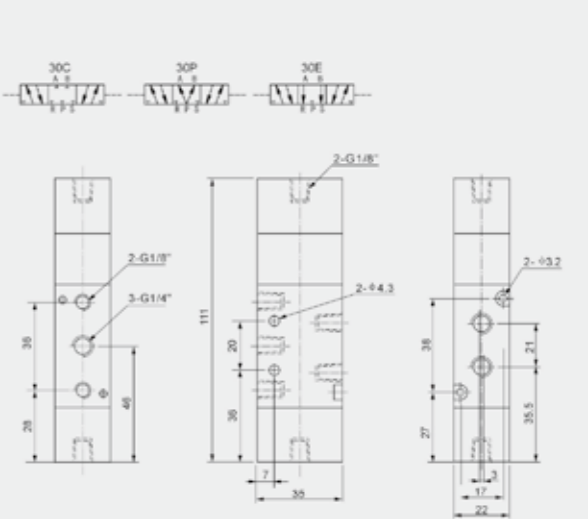
4A220-08



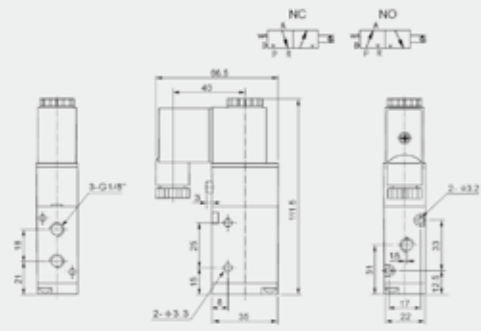
4A230-06



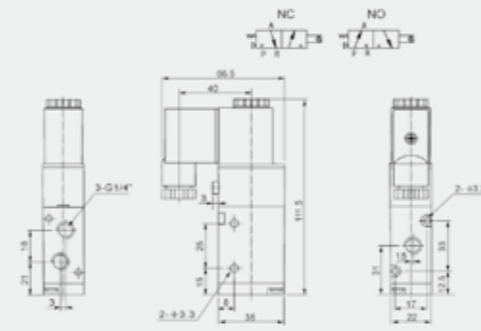
4A230-08



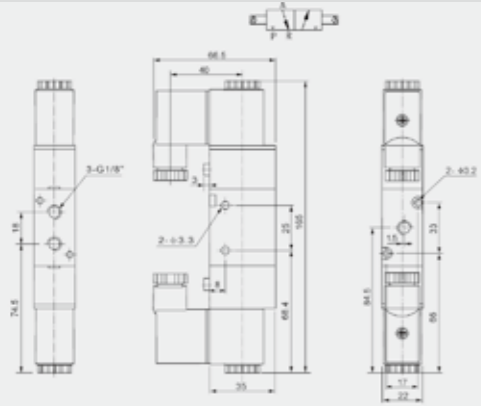
3V210-06



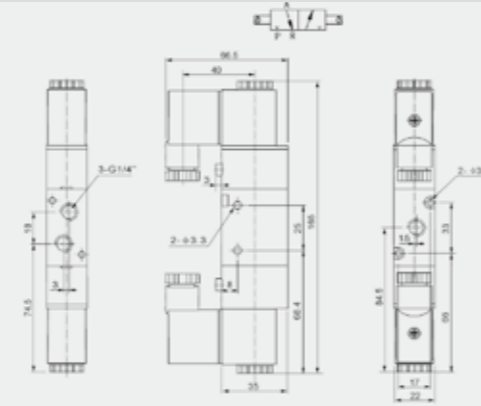
3V210-08



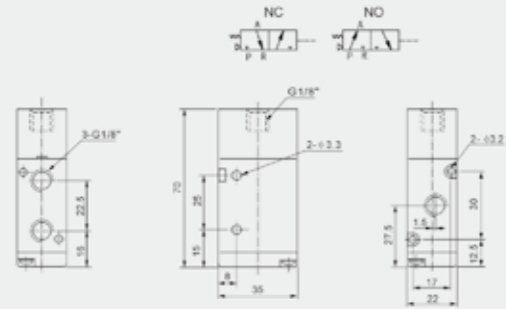
3V220-06



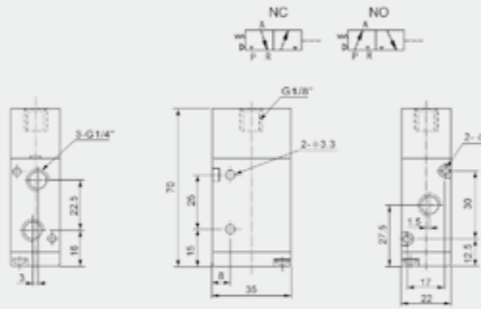
3V220-08



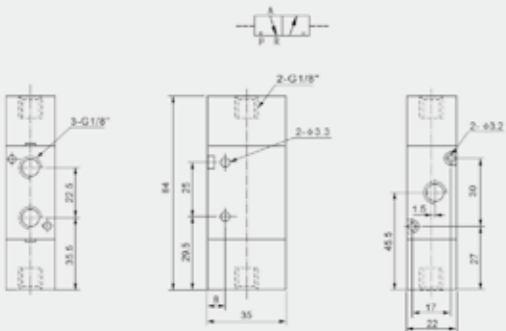
3A210-06



3A210-08



3A220-06



3A220-08



➤ 4V300Series

4V300

low power consumption, exhaust for the pilot and main valve,
small size, large flow, good appearance, flexible, can be
integrated installation, high wear resistance and long life.



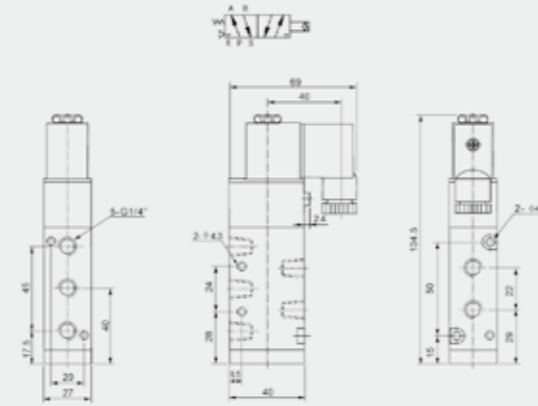
Ordering Code

4V	3	10	06	B	AC220V	W
Type	Series code	Coil and position	Joint pipe bore	Connection type	Standard voltage	Terminal
4V 5/2 or 5/3 way solenoid valve	300 Series	10 single-coil double-position 20 double-coil double-position	08 1/4" 10 3/8"	Blank Thread type B Namur	DC12V DC24V AC24V 50Hz/60Hz AC110V 50Hz/60Hz AC220V 50Hz/60Hz AC380V 50Hz/60Hz	Blank Black connector LD brown with LED connector LD1 white with LED connector W lead wire type
4A 5/2 or 5/3 way pneumatic control valve	30C double-coil three-position center close type					
3V 3/2 way solenoid valve	30E double-coil three-position center exhaust type					
3A 3/2 way pneumatic control valve	30P double-coil three-position center pressure type					

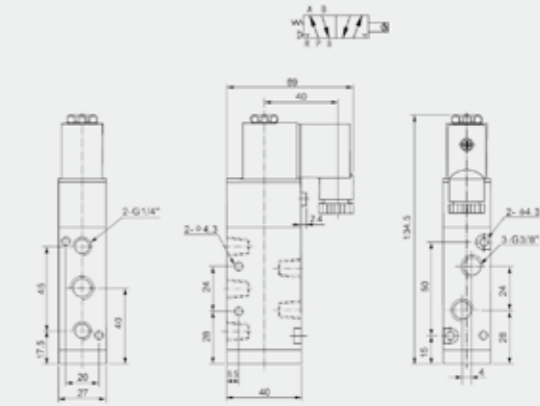
Specification

Model	4V310-08	4V320-08	4V330C-08	4V330E-08	4V330P-08	4V310-10	4V320-10	4V330C-10	4V330E-10	4V330P-10
	4A310-08	4A320-08	4A330C-08	4A330E-08	4A330P-08	4A310-10	4A320-10	4A330C-10	4A330E-10	4A330P-10
Type	5/2		5/3			5/2		5/3		
Flow rate	25mm ² (Cv=1.40)		18mm ² (Cv=1.00)			30mm ² (Cv=1.68)		18mm ² (CV=1.0)		
Model	3V310-08	3V320-08	3A310-08	3A320-08	3V310-10	3V320-10	3A310-10	3A320-10		
Type	3/2				3/2					
Flow rate	25mm ² (Cv=1.40)				30mm ² (Cv=1.68)					
Connection ports	Inlet = Outlet = Exhaust = G1/4"				Inlet = Outlet = G3/8" Exhaust = G1/4"					
Media	Clean air									
Working type	Pilot									
Working pressure	0.15 ~ 0.8MPa									
Max. pressure	1.2MPa									
Ambient temp.	5 ~ 50°C									
Voltage tolerance	±10%									
Power	AC:4.5VA DC:3W									
Insulation class Protection class	F class. IP65									
Terminal	Flying Lead Or Din43650B PIN									
Frequency	5 cycles/s									
Response time	0.05s									

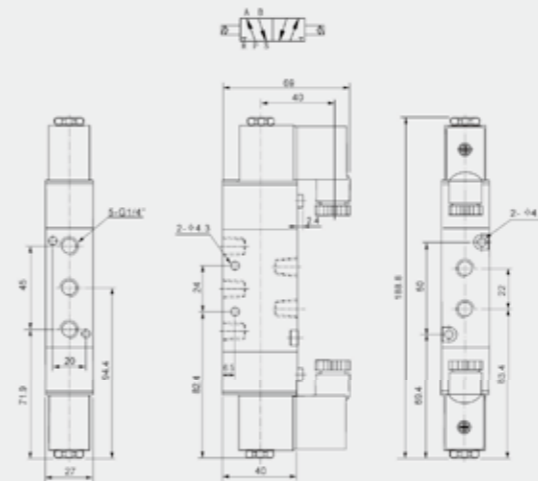
4V310-08



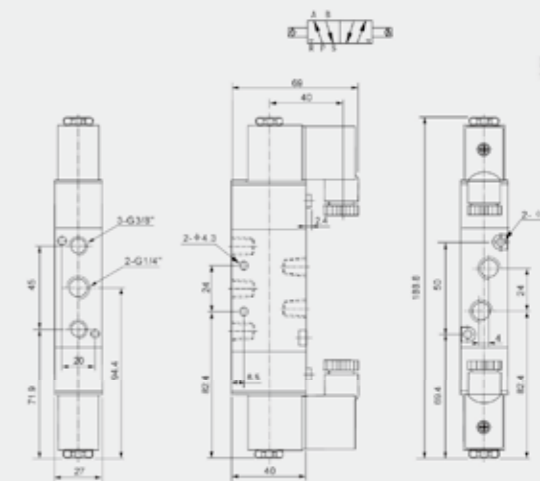
4V310-10



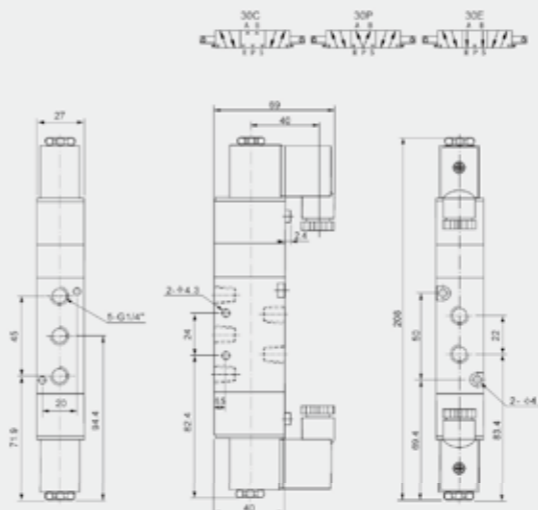
4V320-08



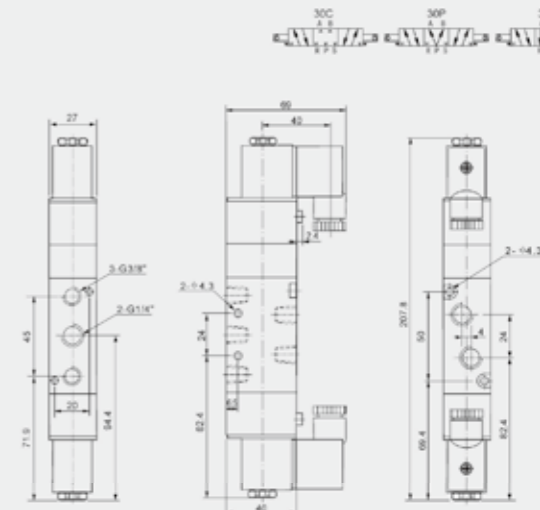
4V320-10



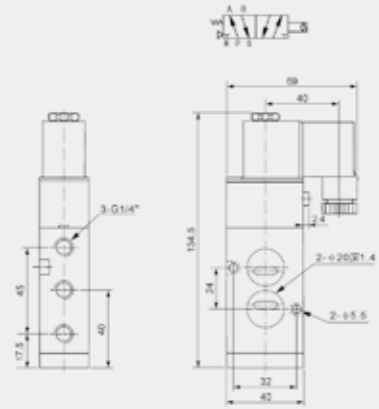
4V330-08



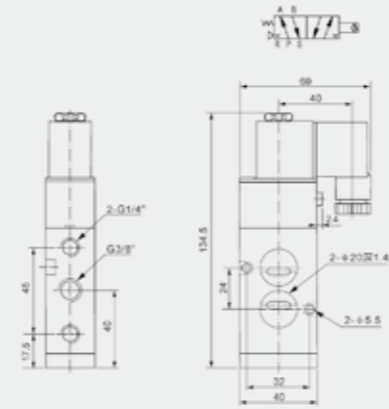
4V330-10



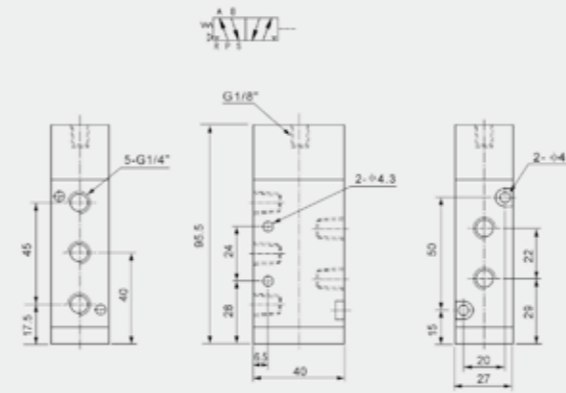
4V310-08B



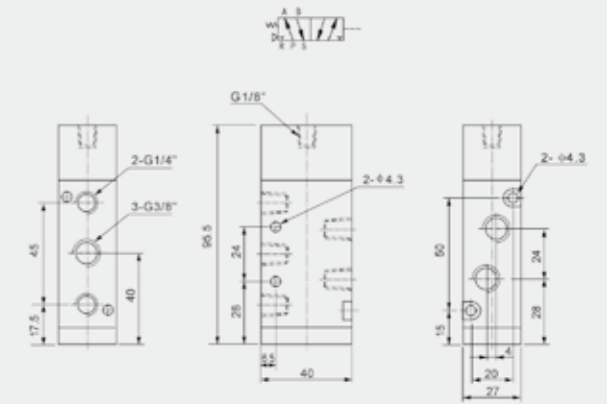
4V310-10B



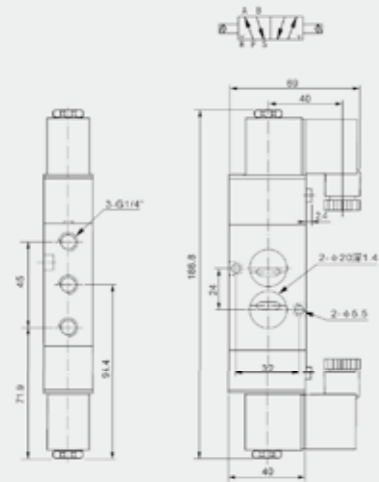
4A310-08



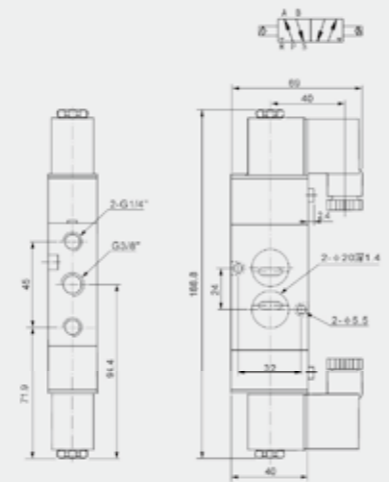
4A310-10



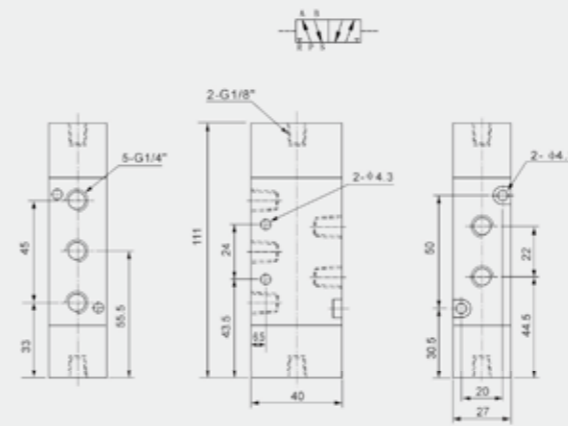
4V320-08B



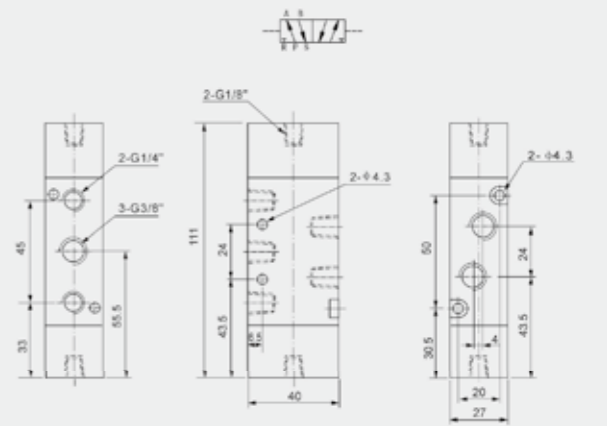
4V320-10B



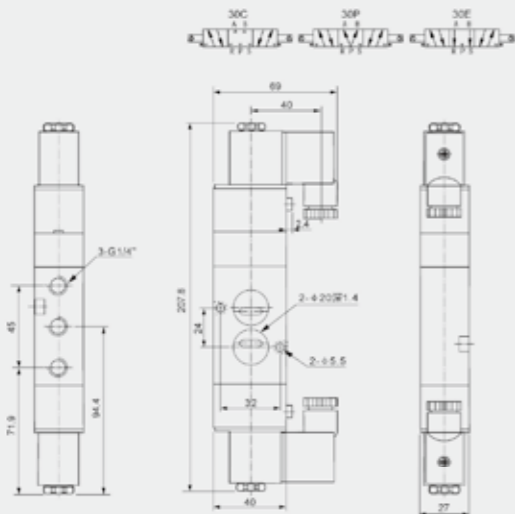
4A320-08



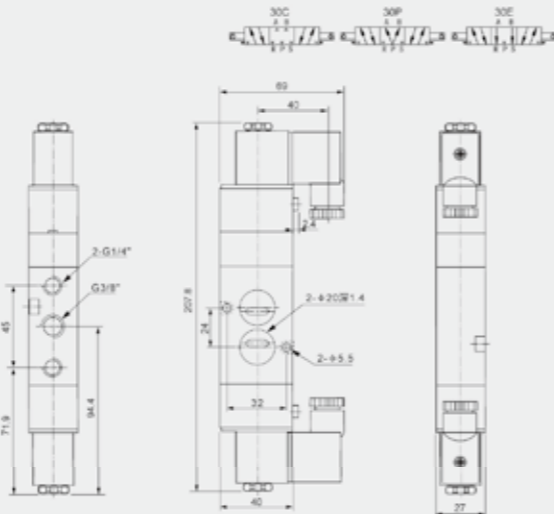
4A320-10



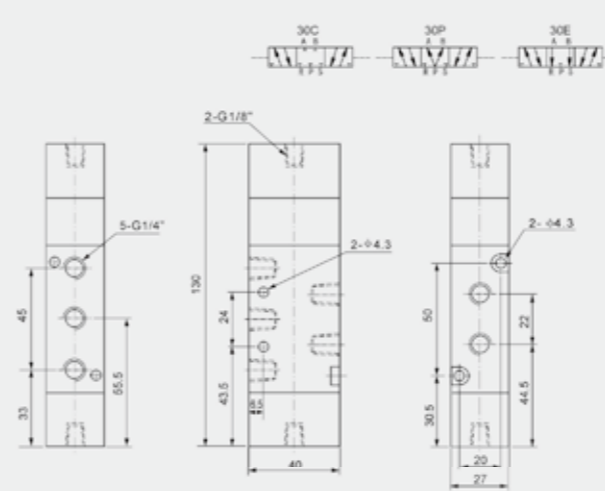
4V330-08B



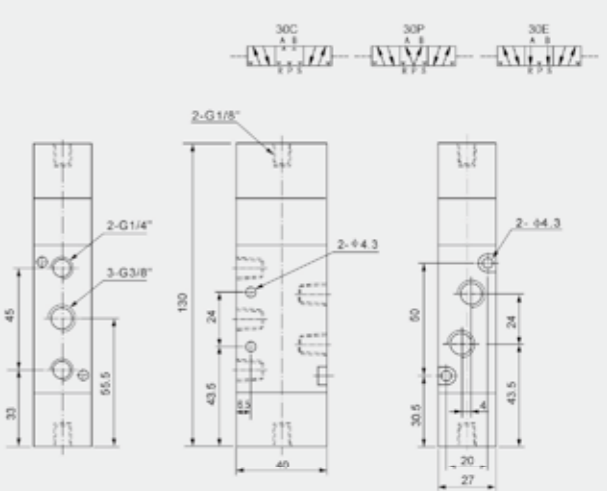
4V330-10B



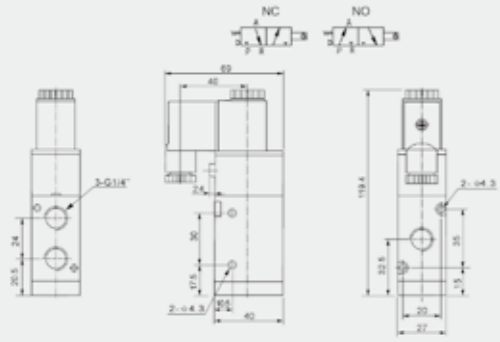
4A330-08



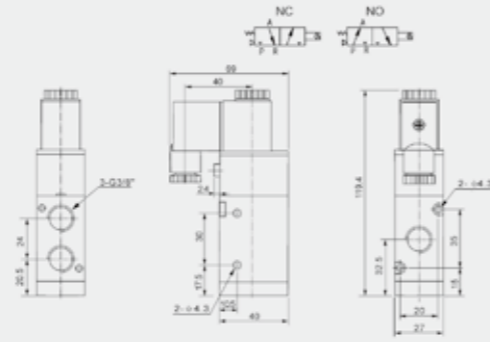
4A330-10



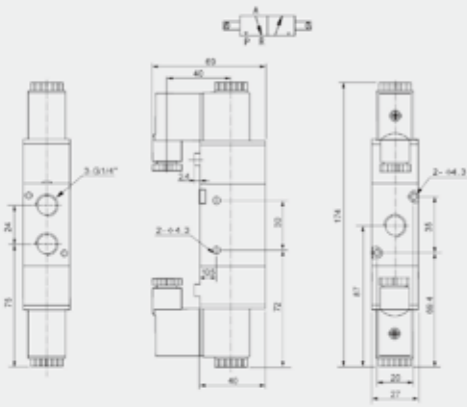
3V310-08



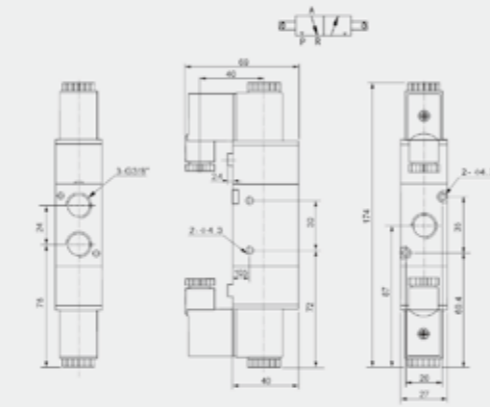
3V310-10



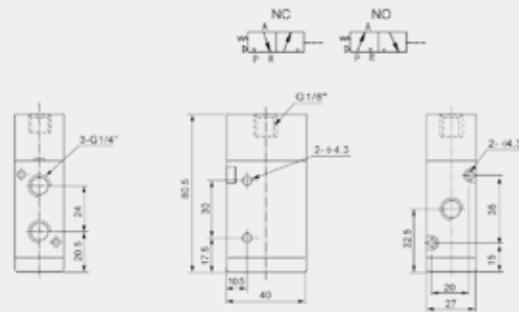
3V320-08



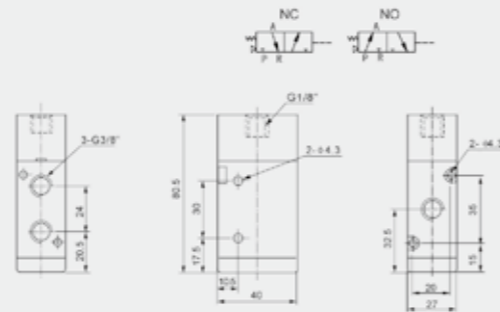
3V320-10



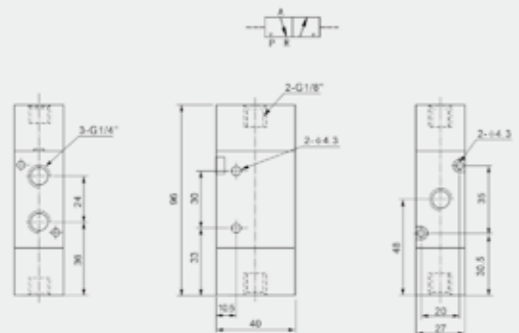
3A310-08



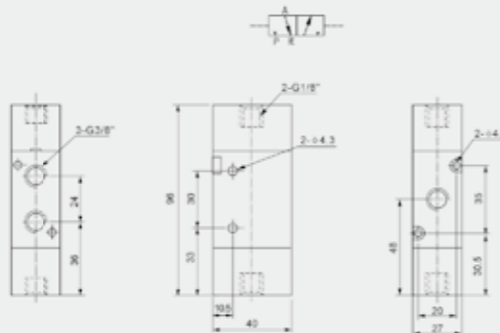
3A320-10



3A320-08



3A320-10



➤ 4V400Series

4V400

low power consumption, exhaust for the pilot and main valve,
small size, large flow , good appearance, flexible, can be
integrated installation , high wear resistance and long life.



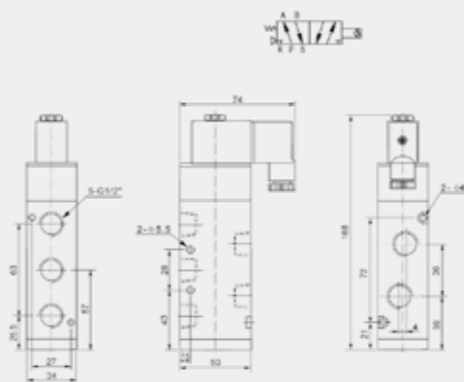
Ordering Code

4V	4	10	06	B	AC220V	W
Type	Series code	Coil and position	Joint pipe bore	Connection type	Standard voltage	Terminal
4V 5/2 or 5/3 way solenoid valve	400 Series	10 single-coil double-position 20 double-coil double-position	15 1/2"	Blank Thread type B Namur	DC12V DC24V AC24V 50Hz/60Hz AC110V 50Hz/60Hz AC220V 50Hz/60Hz AC380V 50Hz/60Hz	LD brown with LED connector LD1 white with LED connector W lead wire type
4A 5/2 or 5/3 way pneumatic control valve	30C double-coil three-position center close type					
3V 3/2 way solenoid valve	30E double-coil three-position center exhaust type					
3A 3/2 way pneumatic control valve	30P double-coil three-position center pressure type					

Specification

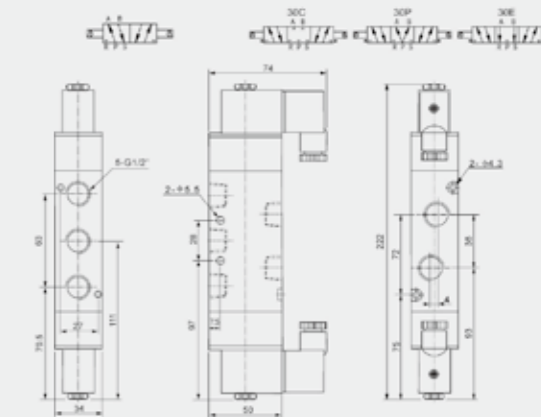
Model	4V410-15	4V420-15	4V430C-15	4V430E-15	4V430P-15
Type	5/2			5/2	
Flow rate	50mm ² (Cv=2.79)			30mm ² (Cv=1.68)	
Model	3V410-15	3V420-15	3A410-15	3AV420-15	
Type	3/2				
Flow rate	50mm ² (Cv=2.79)				
Connection ports	Inlet = Outlet = Exhaust = G1/2"				
Media	Clean air				
Working type	Pilot				
Working pressure	0.15 ~ 0.8MPa				
Max. pressure	1.2MPa				
Ambient temp.	5 ~ 50°C				
Voltage tolerance	±10%				
Power	AC:4.5VA DC:3W				
Insulation class Protection class	F class. IP65				
Terminal	Flying Lead Or Din43650B PIN				
Frequency	5 cycles/s				
Response time	0.05s				

4V410-15

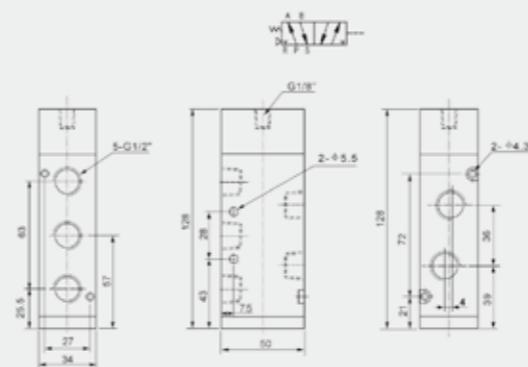


4V420-15

4V430-15

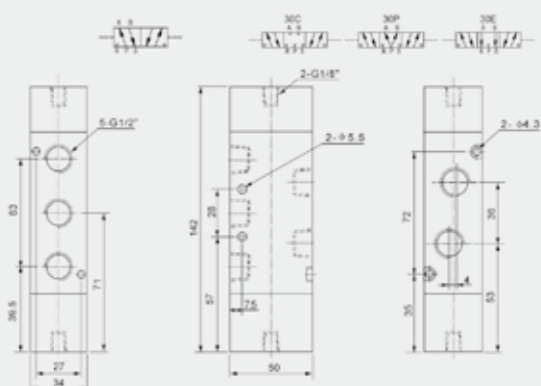


4A410-15

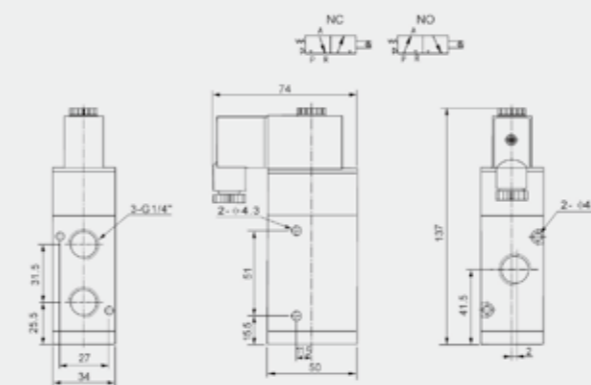


4A420-15

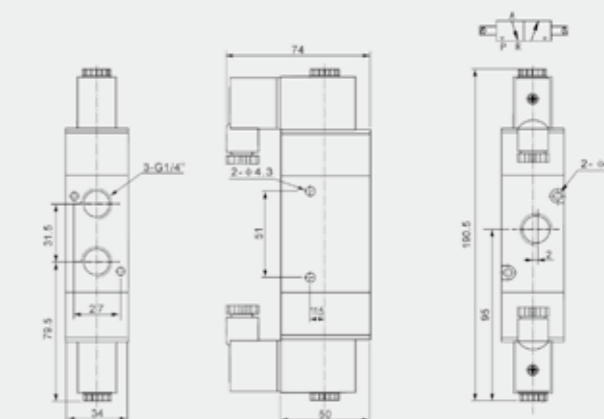
4A430-15



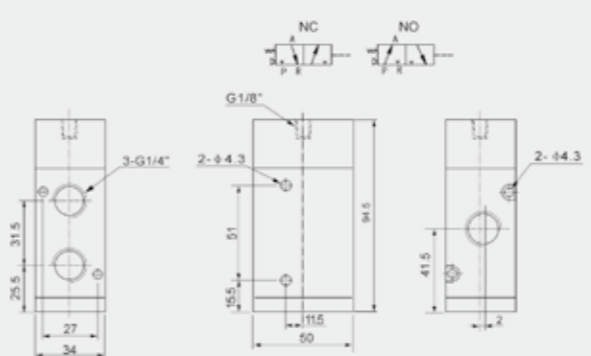
3A410-15



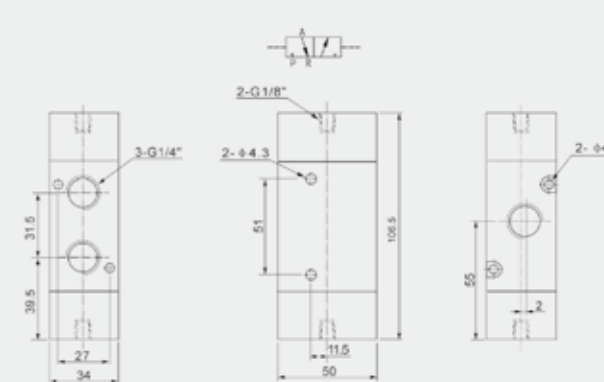
3V420-15



3A410-15



3A420-15



➤ 3V1Series

3V1

low power consumption, exhaust for the pilot and main valve,
small size, large flow, good appearance, flexible, can be
integrated installation, high wear resistance and long life.



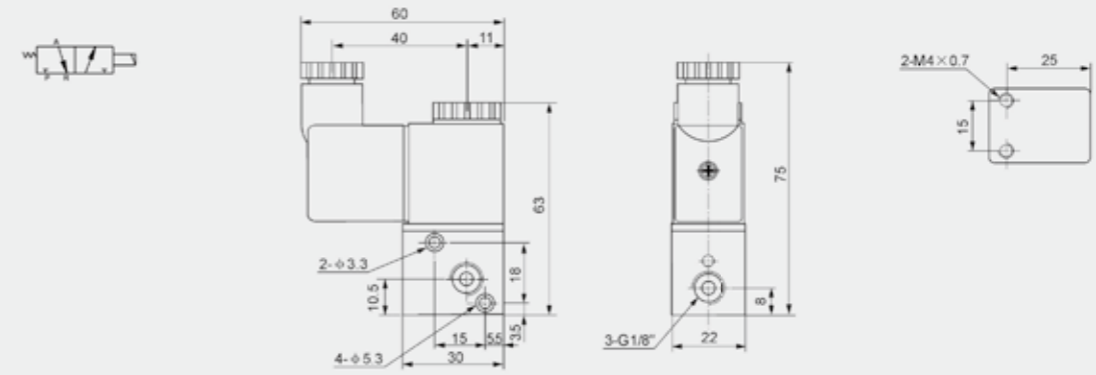
Ordering Code

3V	1	06	B	-	AC220V	-	W
Type 3V 3/2 solenoid valve	Series code 100 series	Connection ports M5 M5 06 1/8"	Connection type Blank Thread type B namur type		Standard voltage DC12V DC24V AC24V 50Hz/60Hz AC110V 50Hz/60Hz AC220V 50Hz/60Hz AC380V 50Hz/60Hz		Terminal Blank Black connector LD brown with LED connector LD1 white with LED connector W lead wire type

Specification

Model	3V1-M5	3V1-06
Medium	Clean air	
Working type	Direct action	
Model	M5	1/8"
Ambient temp.	-10~60°C	
Working Temp	5~60°C	
Orifice	1.0mm	
Lubrication	No	
Pressure	0~0.8MPa	
Max. pressure	1.2MPa	
Power	AC 4.5VA DC 3W	
Protection class	IP65	
Cable Entry	Flying Lead Or Din43650C PIN	
Valve body material	Aluminum	
Frequency	10 cycles/s	
Insulation class	F class	
Voltage tolerance	±10%	
Response time	0.05s	

3V1-06



3V1-06B

