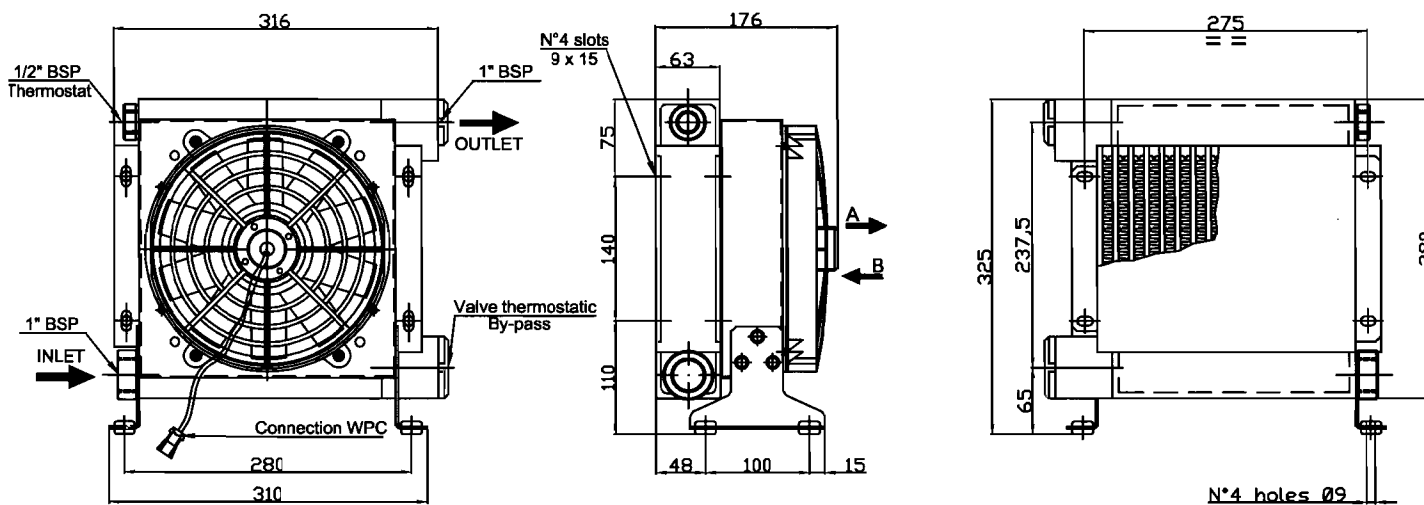


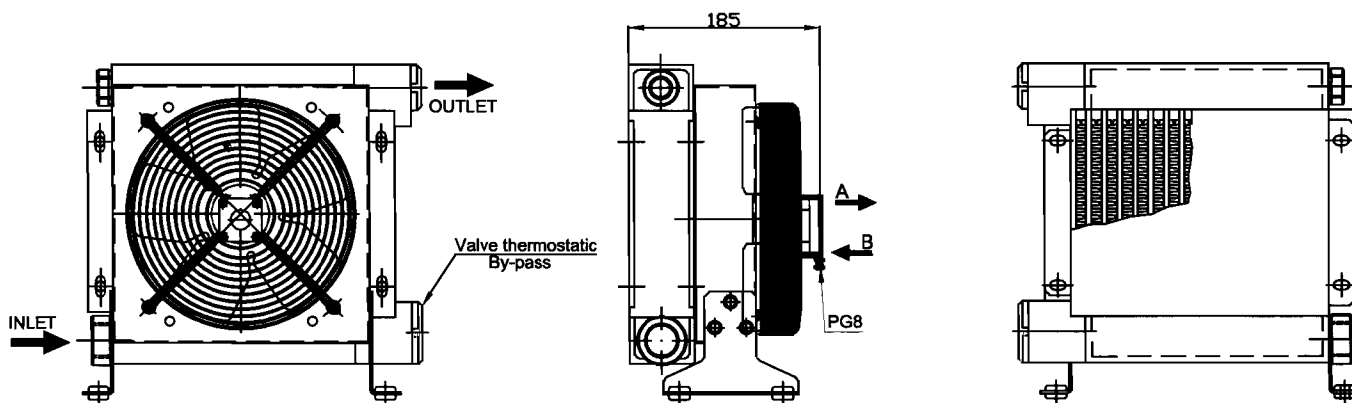


Air - Oil coolers series CSLV1

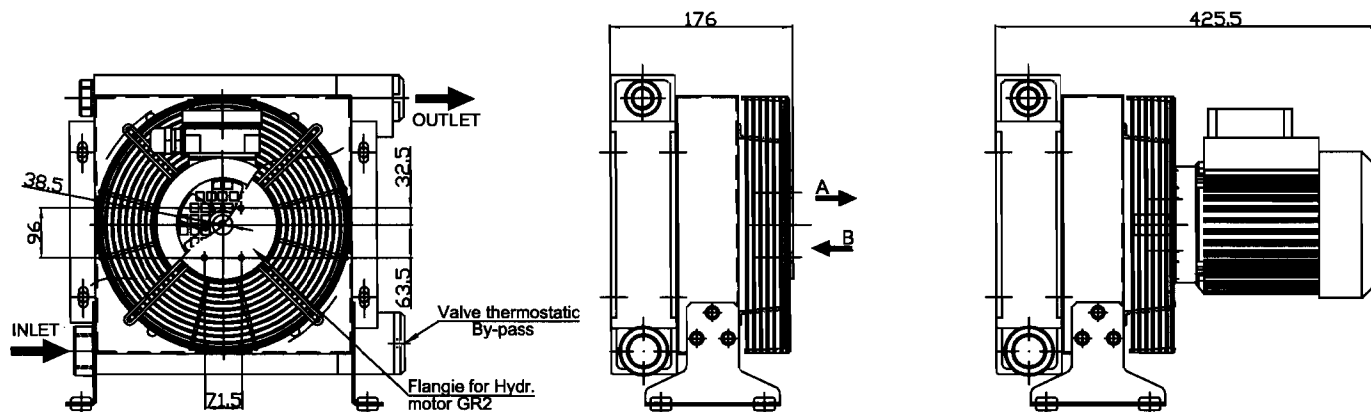
Code	Tension (V)	Frequency (Hz)	Rpm (N°)	Air flow (m³/h)	Power (Kw)	Current (A)	ØFan (mm)	IP Fan	Lwa dB (A)	Capacity (lt)	Weight (Kg)	Color Painting
CSLV1.12.0.00	12	DC	3100	900	0.090	5.9	225	68	72	1.9	6.5	Black
CSLV1.24.0.00	24	DC	3050	885	0.100	2.7	225	68	72	1.9	6.5	Black



Code	Tension (V)	Frequency (Hz)	Rpm (N°)	Air flow (m³/h)	Power (Kw)	Current (A)	ØFan (mm)	IP Fan	Lwa dB (A)	Capacity (lt)	Weight (Kg)	Color Painting
CSLV1.22.0.00	230	50/60	3200	810	0.085	0.55	200	44	66	1.9	7	Black
CSLV1.38.0.00	230/400	50/60	2800	810	0.068	0.31	200	44	66	1.9	7	Black



Code	Tension (V)	Frequency (Hz)	Rpm (N°)	Air flow (m³/h)	Power (Kw)	Current (A)	ØFan (mm)	IP Fan	Lwa dB (A)	Capacity (lt)	Weight (Kg)	Color Painting
CSLV1.G2.0.00	//	//	//	//	//	//	200	//	//	1.9	7.5	Black
CSLV1.40.0.00	230/400	50/60	1350	400	0.250	0.72	200	55	67	1.9	11	Black

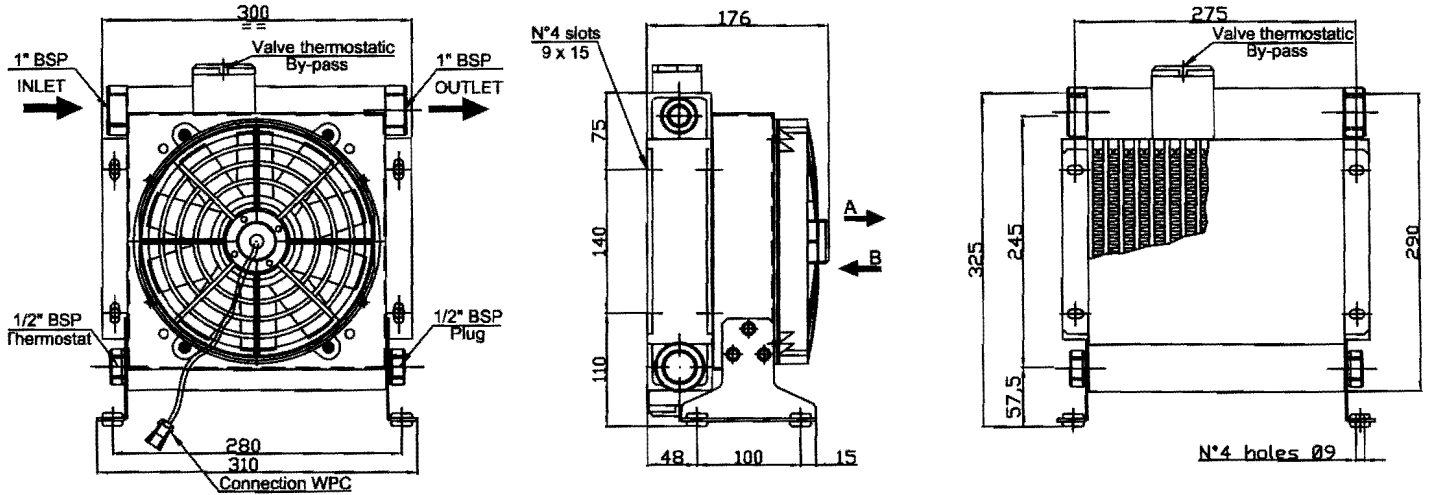


Technical characteristic herein mentioned are not binding and it can be modified from CIESSE without any notice

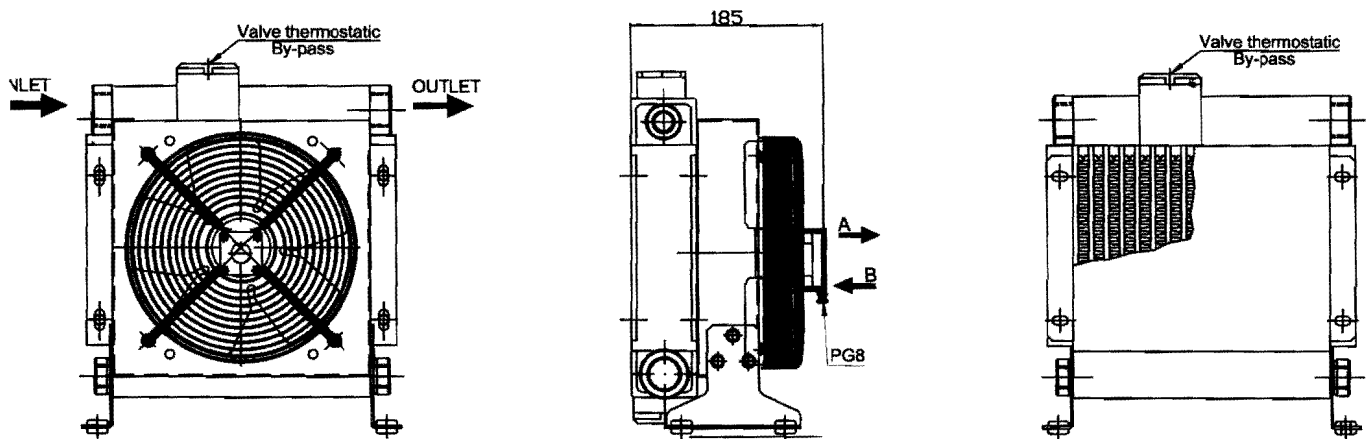


Air - Oil coolers series CSLV1 - 2 Passages

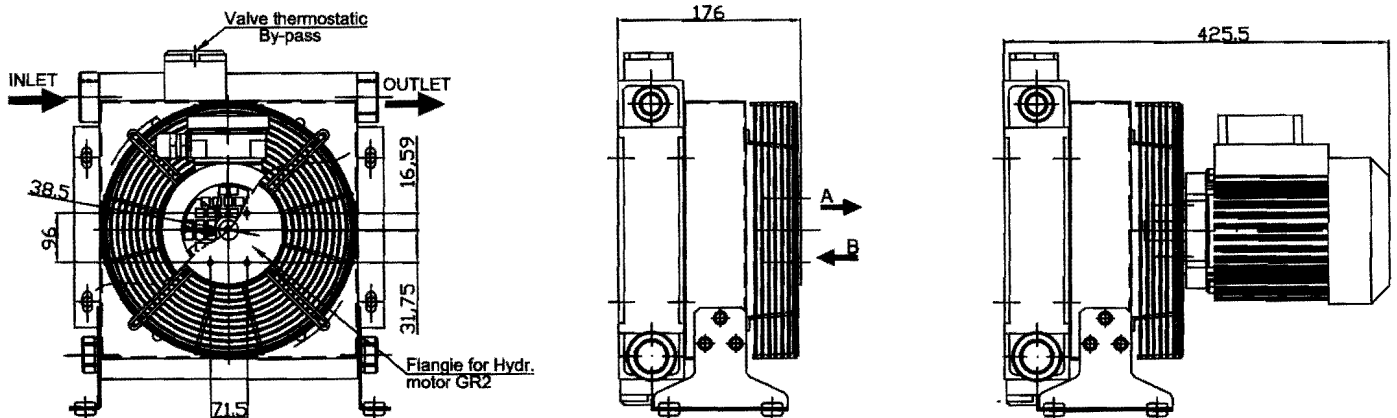
Code	Tension (V)	Frequency (Hz)	Rpm (N°)	Air flow (m³/h)	Power (Kw)	Current (A)	ØFan (mm)	IP Fan	Lwa dB (A)	Capacity (lt)	Weight (Kg)	Color Painting
CSLV1.12.0.002	12	DC	3100	900	0.090	5.9	225	68	72	1.9	6.7	Black
CSLV1.24.0.002	24	DC	3050	885	0.100	2.7	225	68	72	1.9	6.7	Black



Code	Tension (V)	Frequency (Hz)	Rpm (N°)	Air flow (m³/h)	Power (Kw)	Current (A)	ØFan (mm)	IP Fan	Lwa dB (A)	Capacity (lt)	Weight (Kg)	Color Painting
CSLV1.22.0.002	230	50/60	3200	810	0.085	0.55	200	44	66	1.9	7.2	Black
CSLV1.38.0.002	230/400	50/60	2800	810	0.068	0.31	200	44	66	1.9	7.2	Black



Code	Tension (V)	Frequency (Hz)	Rpm (N°)	Air flow (m³/h)	Power (Kw)	Current (A)	ØFan (mm)	IP Fan	Lwa dB (A)	Capacity (lt)	Weight (Kg)	Color Painting
CSLV1.G2.0.002	//	//	//	//	//	//	200	//	//	1.9	7.7	Black
CSLV1.40.0.002	230/400	50/60	1350	400	0.250	0.72	200	55	67	1.9	11.2	Black



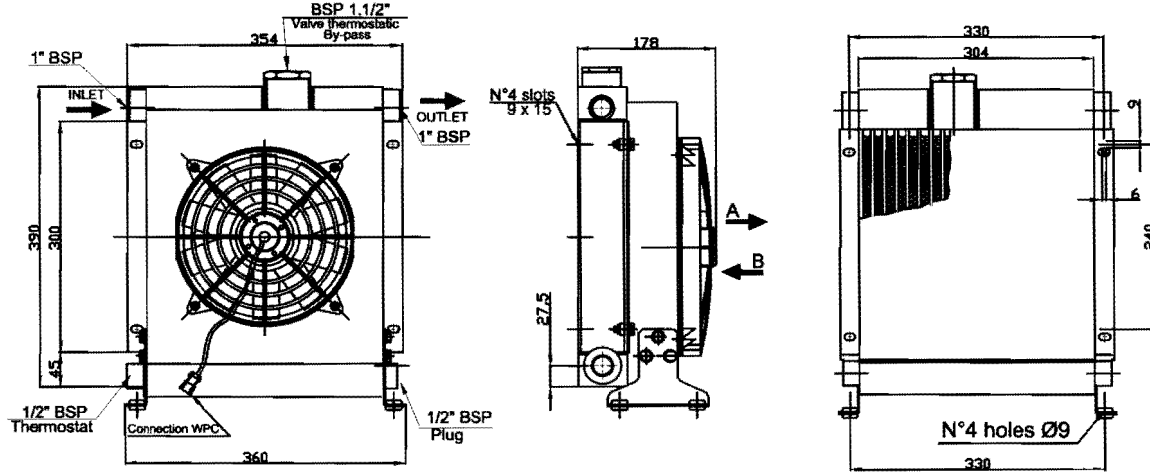
Technical characteristic herein mentioned are not binding and it can be modified from CIESSE without any notice



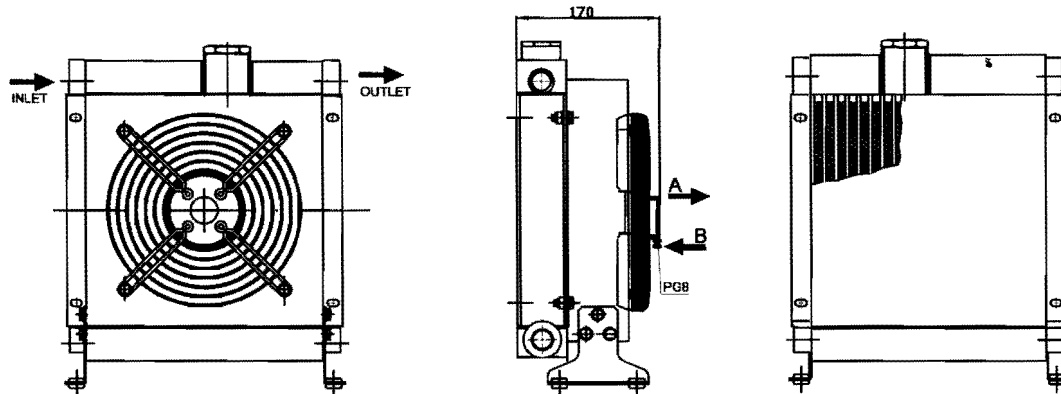


Air - Oil coolers series CSLV2 - 2 Passages

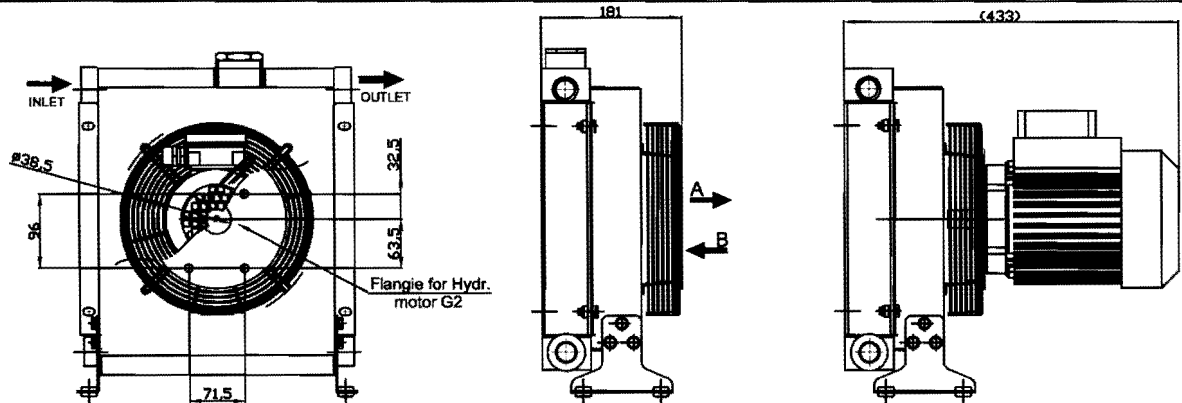
Code	Tension (V)	Frequency (Hz)	Rpm (N°)	Air flow (m³/h)	Power (Kw)	Current (A)	ØFan (mm)	IP Fan	Lwa dB (A)	Capacity (lt)	Weight (Kg)	Color Painting
CSLV2.12.0.002	12	DC	3150	950	0.095	5.8	255	68	70	1.65	7	Black
CSLV2.24.0.002	24	DC	3050	950	0.105	3	255	68	70	1.65	7	Black



Code	Tension (V)	Frequency (Hz)	Rpm (N°)	Air flow (m³/h)	Power (Kw)	Current (A)	ØFan (mm)	IP Fan	Lwa dB (A)	Capacity (lt)	Weight (Kg)	Color Painting
CSLV2.22.0.002	230	50/60	2850	1960	0.128	0.55	250	44	71	1.65	8	Black
CSLV2.38.0.002	230/400	50/60	2700	1830	0.110	0.40	250	44	71	1.65	8	Black



Code	Tension (V)	Frequency (Hz)	Rpm (N°)	Air flow (m³/h)	Power (Kw)	Current (A)	ØFan (mm)	IP Fan	Lwa dB (A)	Capacity (lt)	Weight (Kg)	Color Painting
CSLV2.G2.0.002	//	//	//	//	//	//	250	//	//	1.65	7	Black
CSLV2.40.0.002	230/400	50/60	1450	1100	0.250	0.68	250	55	64	1.65	11	Black

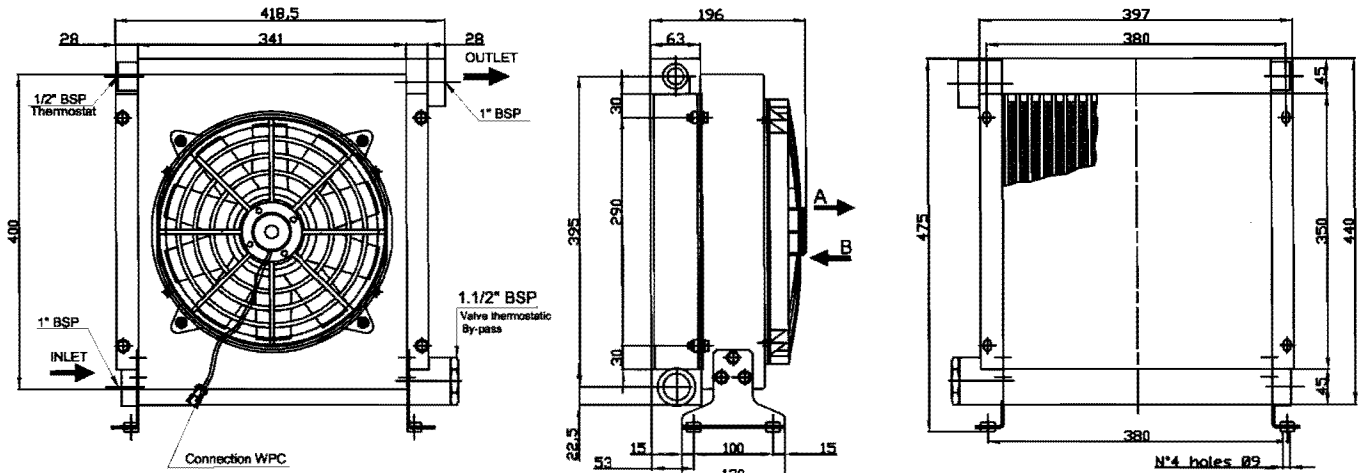


Technical characteristic herein mentioned are not binding and it can be modified from CIESSE without any notice

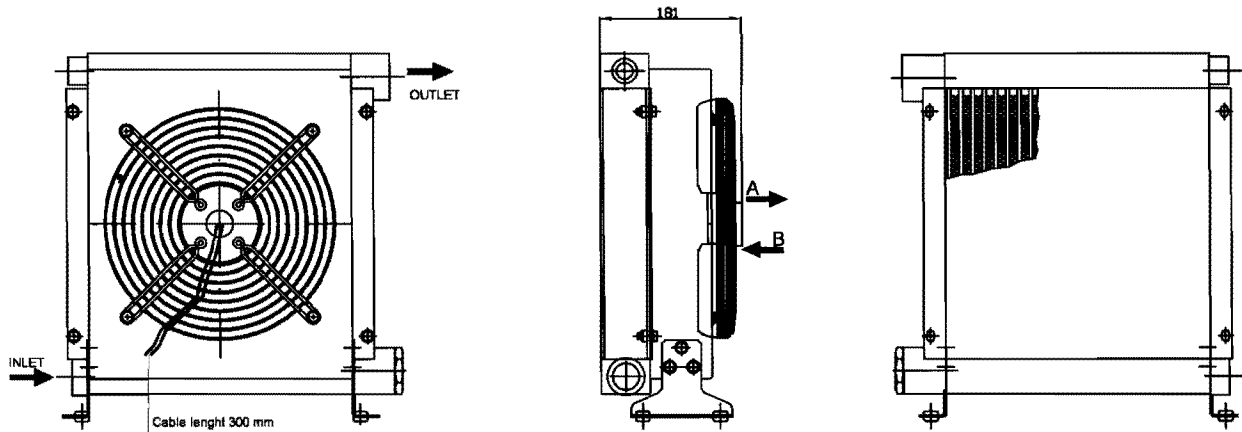


Air - Oil coolers series CSLV3

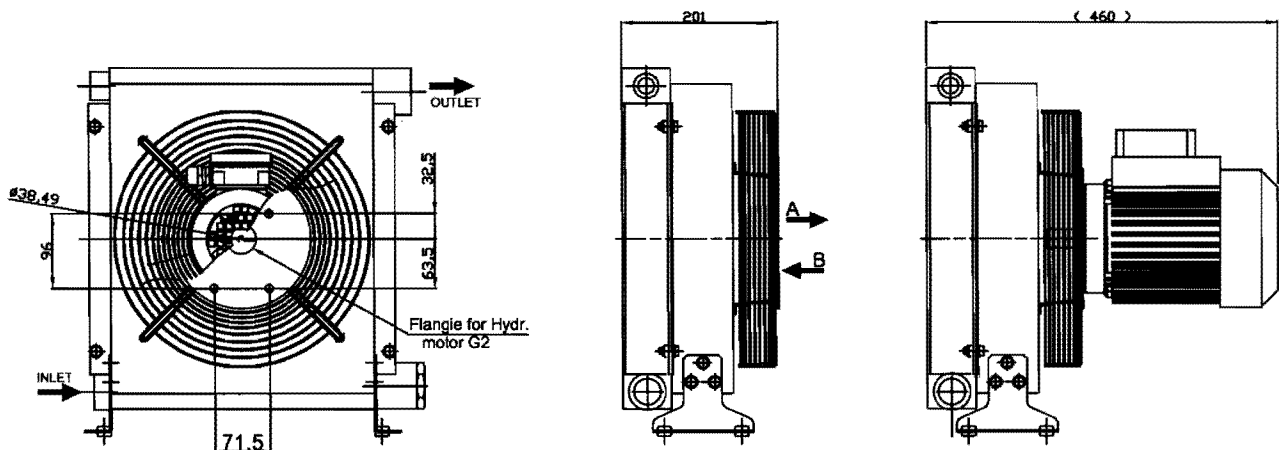
Code	Tension (V)	Frequency (Hz)	Rpm (N°)	Air flow (m³/h)	Power (Kw)	Current (A)	ØFan (mm)	IP Fan	Lwa dB (A)	Capacity (lt)	Weight (Kg)	Color Painting
CSLV3.12.0.00	12	DC	3150	2670	0.150	11	305	68	69	2	10	Black
CSLV3.24.0.00	24	DC	3050	2670	0.150	5.5	305	68	69	2	10	Black



Code	Tension (V)	Frequency (Hz)	Rpm (N°)	Air flow (m³/h)	Power (Kw)	Current (A)	ØFan (mm)	IP Fan	Lwa dB (A)	Capacity (lt)	Weight (Kg)	Color Painting
CSLV3.22.0.00	230	50/60	2600	2600	0.350	1.55	300	44	70	2	11	Black
CSLV3.38.0.00	230/400	50/60	2600	2600	0.300	0.48	300	44	70	2	11	Black



Code	Tension (V)	Frequency (Hz)	Rpm (N°)	Air flow (m³/h)	Power (Kw)	Current (A)	ØFan (mm)	IP Fan	Lwa dB (A)	Capacity (lt)	Weight (Kg)	Color Painting
CSLV3.G2.0.00	//	//	//	//	//	//	300	//	//	2	11	Black
CSLV3.40.0.00	230/400	50/60	1450	1950	0.370	1.03	300	55	70	2	16	Black

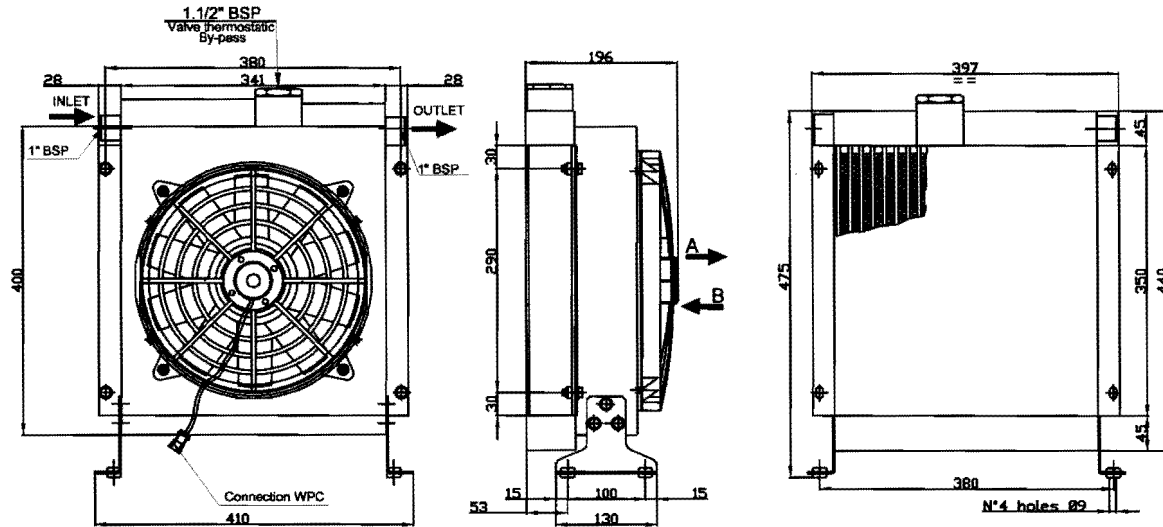


Technical characteristic herein mentioned are not binding and it can be modified from CIESSE without any notice

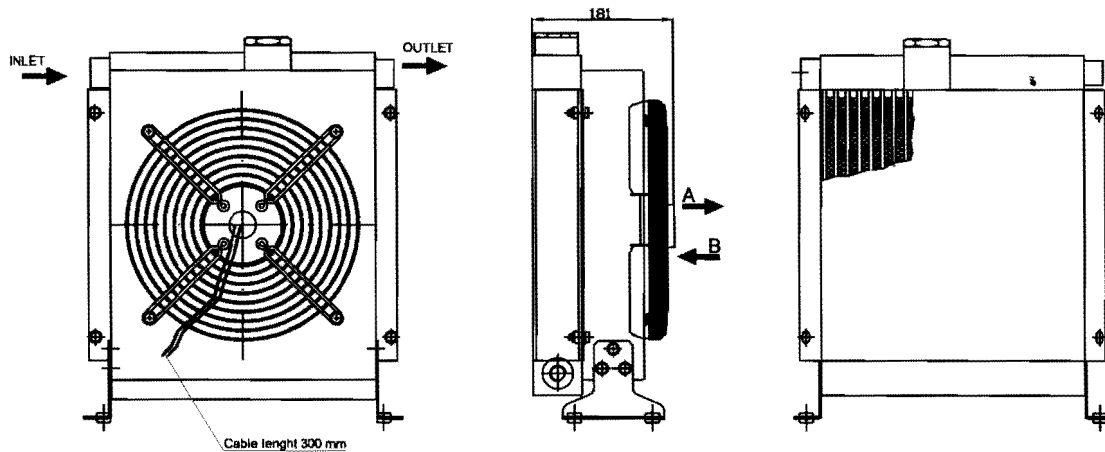


Air - Oil coolers series CSLV3 - 2 Passages

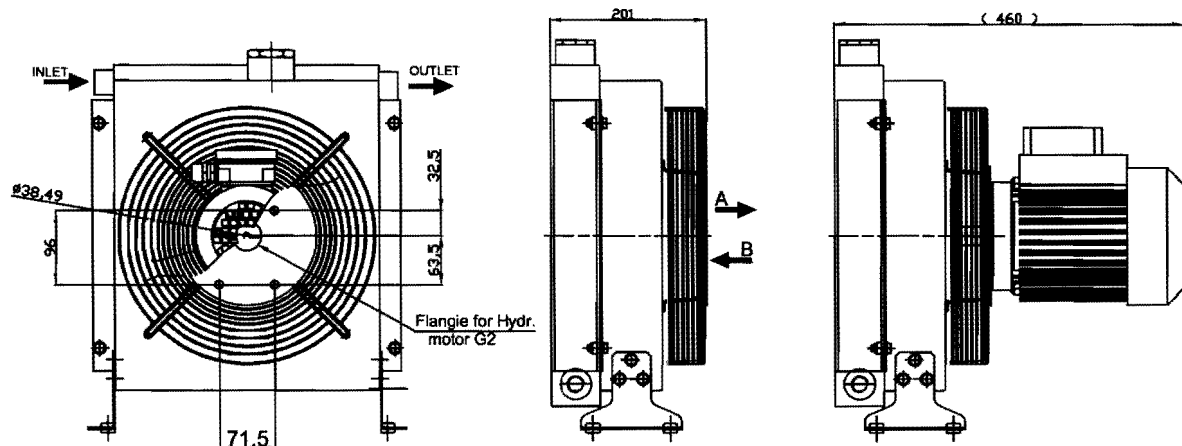
Code	Tension (V)	Frequency (Hz)	Rpm (N°)	Air flow (m³/h)	Power (Kw)	Current (A)	ØFan (mm)	IP Fan	Lwa dB (A)	Capacity (lt)	Weight (Kg)	Color Painting
CSLV3.12.0.002	12	DC	3150	2670	0.150	11	305	68	69	2	10	Black
CSLV3.24.0.002	24	DC	3050	2670	0.150	5.5	305	68	69	2	10	Black



Code	Tension (V)	Frequency (Hz)	Rpm (N°)	Air flow (m³/h)	Power (Kw)	Current (A)	ØFan (mm)	IP Fan	Lwa dB (A)	Capacity (lt)	Weight (Kg)	Color Painting
CSLV3.22.0.002	230	50/60	2600	2600	0.350	1.55	300	44	70	2	12	Black
CSLV3.38.0.002	230/400	50/60	2600	2600	0.300	0.48	300	44	70	2	11	Black



Code	Tension (V)	Frequency (Hz)	Rpm (N°)	Air flow (m³/h)	Power (Kw)	Current (A)	ØFan (mm)	IP Fan	Lwa dB (A)	Capacity (lt)	Weight (Kg)	Color Painting
CSLV3.G2.0.002	//	//	//	//	//	//	300	//	//	2	11	Black
CSLV3.40.0.002	230/400	50/60	1450	1950	0.370	1.03	300	55	70	2	16	Black

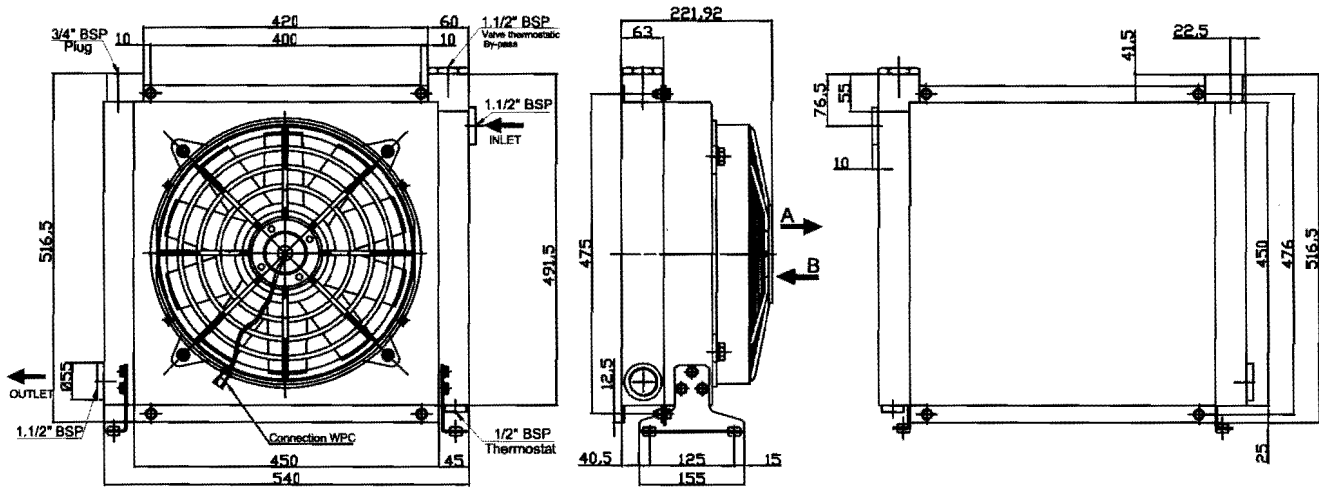


Technical characteristic herein mentioned are not binding and it can be modified from CIESSE without any notice

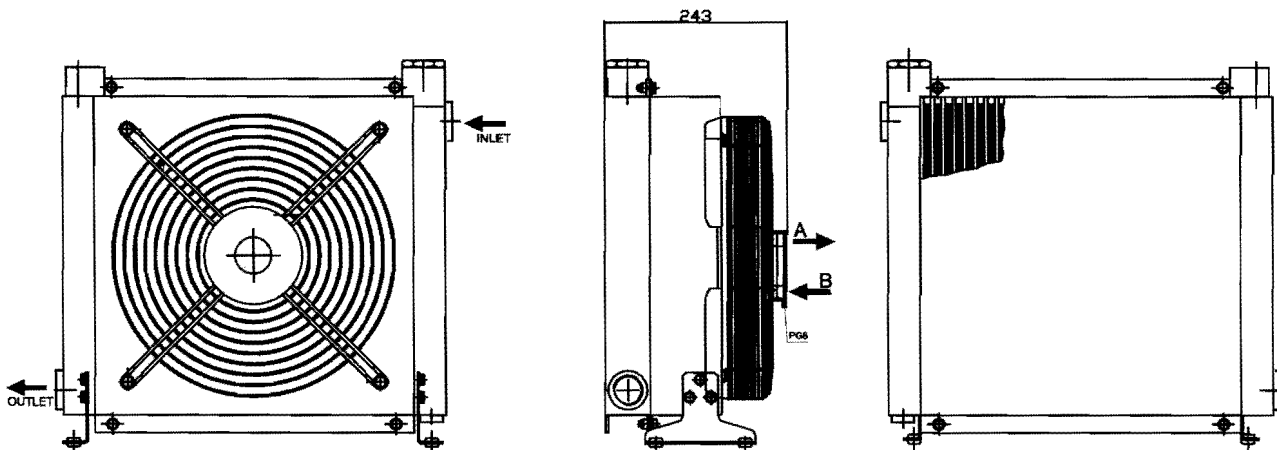


Air - Oil coolers series CSL4V

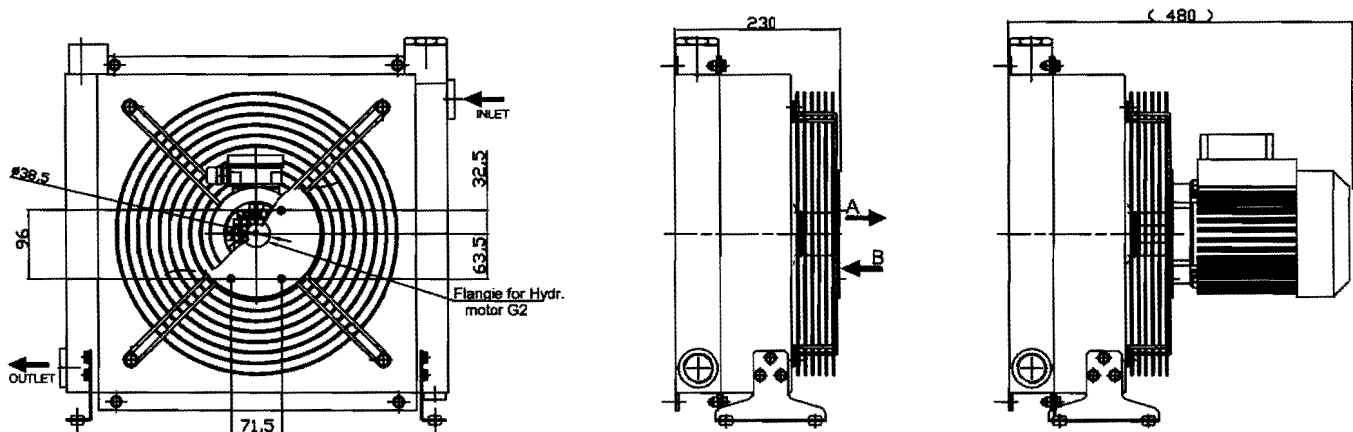
Code	Tension (V)	Frequency (Hz)	Rpm (N°)	Air flow (m ³ /h)	Power (Kw)	Current (A)	ØFan (mm)	IP Fan	Lwa dB (A)	Capacity (lt)	Weight (Kg)	Color Painting
CSL4V.12.0.00	12	DC	2650	3300	0.210	13	385	68	75	3	14	Black
CSL4V.24.0.00	24	DC	2650	3300	0.210	8.1	385	68	75	3	14	Black



Code	Tension (V)	Frequency (Hz)	Rpm (N°)	Air flow (m ³ /h)	Power (Kw)	Current (A)	ØFan (mm)	IP Fan	Lwa dB (A)	Capacity (lt)	Weight (Kg)	Color Painting
CSL4V.22.0.00	230	50/60	2350	3200	0.170	0.74	400	44	68	3	15	Black
CSL4V.38.0.00	230/400	50/60	2450	3200	0.185	0.52	400	44	68	3	15	Black



Code	Tension (V)	Frequency (Hz)	Rpm (N°)	Air flow (m ³ /h)	Power (Kw)	Current (A)	ØFan (mm)	IP Fan	Lwa dB (A)	Capacity (lt)	Weight (Kg)	Color Painting
CSL4V.G2.0.00	//	//	//	//	//	//	400	//	//	3	15	Black
CSL4V.40.0.00	230/400	50/60	1450	3200	0.55	1.52	400	55	72	3	20	Black

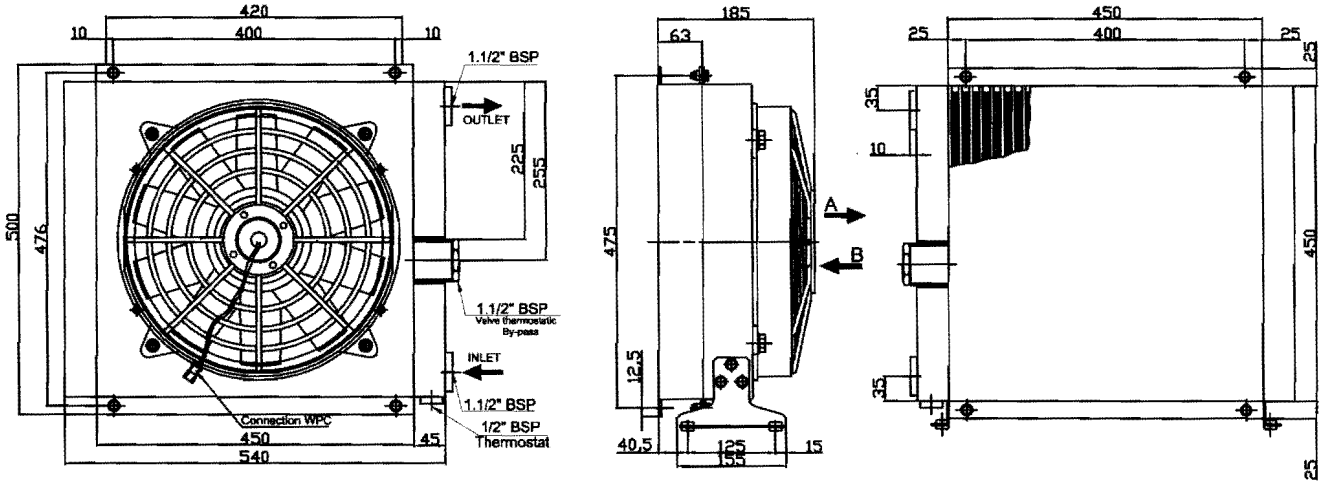


Technical characteristic herein mentioned are not binding and it can be modified from CIESSE without any notice

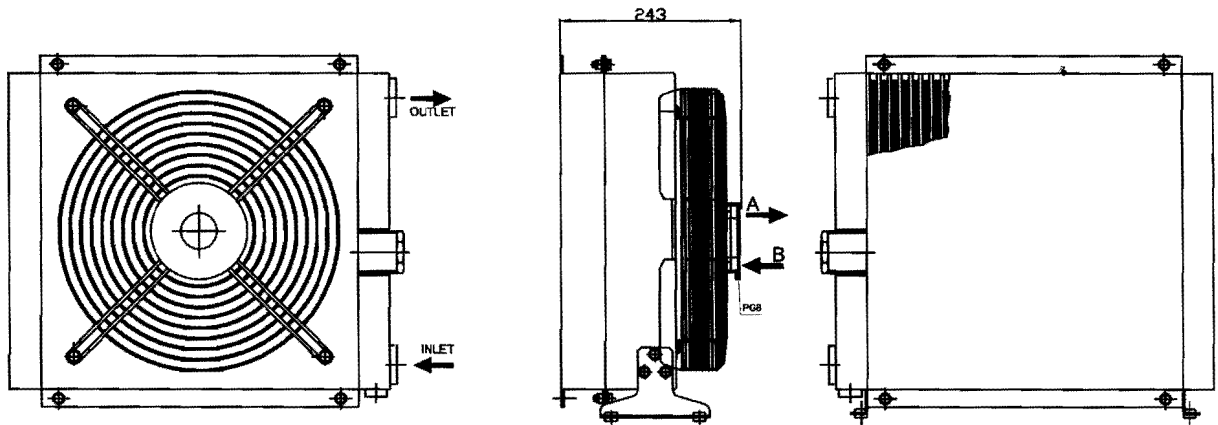


Air - Oil coolers series CSLV4 - 2 Passages

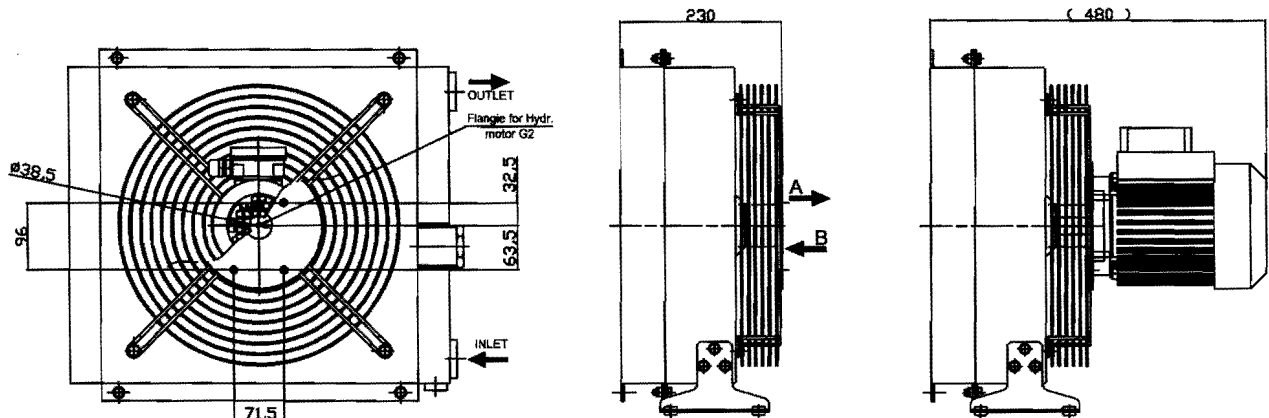
Code	Tension (V)	Frequency (Hz)	Rpm (N°)	Air flow (m³/h)	Power (Kw)	Current (A)	ØFan (mm)	IP Fan	Lwa dB (A)	Capacity (lt)	Weight (Kg)	Color Painting
CSL4V.12.0.002	12	DC	2650	3300	0.210	13	385	68	75	3	14	Black
CSL4V.24.0.002	24	DC	2650	3300	0.210	8.1	385	68	75	3	14	Black



Code	Tension (V)	Frequency (Hz)	Rpm (N°)	Air flow (m³/h)	Power (Kw)	Current (A)	ØFan (mm)	IP Fan	Lwa dB (A)	Capacity (lt)	Weight (Kg)	Color Painting
CSL4V.22.0.002	230	50/60	2350	3200	0.170	0.74	400	44	68	3	15	Black
CSL4V.38.0.002	230/400	50/60	2450	3200	0.185	0.52	400	44	68	3	15	Black



Code	Tension (V)	Frequency (Hz)	Rpm (N°)	Air flow (m³/h)	Power (Kw)	Current (A)	ØFan (mm)	IP Fan	Lwa dB (A)	Capacity (lt)	Weight (Kg)	Color Painting
CSL4V.G2.0.002	//	//	//	//	//	//	400	//	//	3	15	Black
CSL4V.40.0.002	230/400	50/60	1450	3200	0.55	1.52	400	55	72	3	20	Black

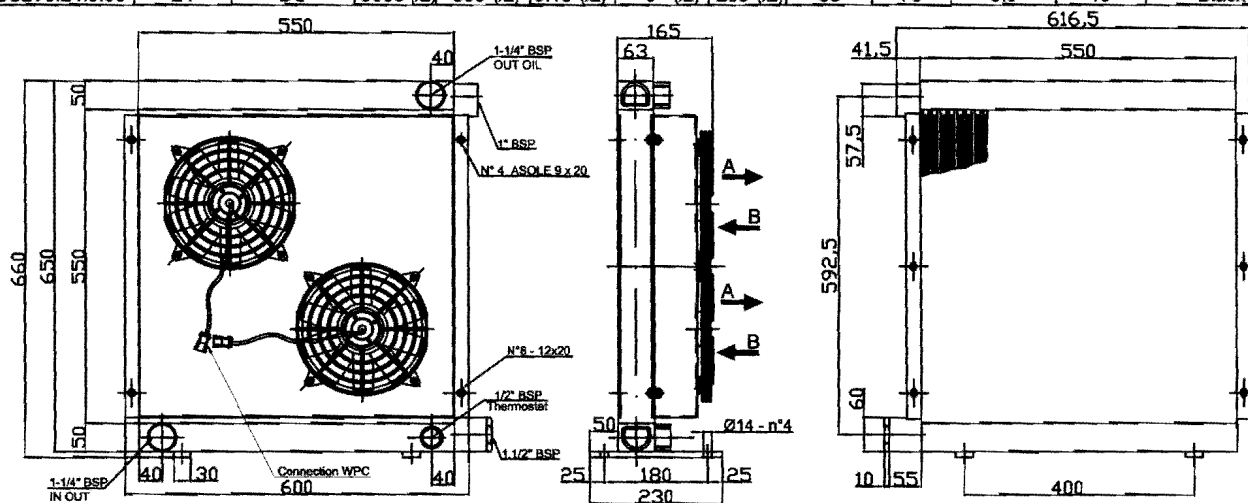


Technical characteristic herein mentioned are not binding and it can be modified from CIESSE without any notice

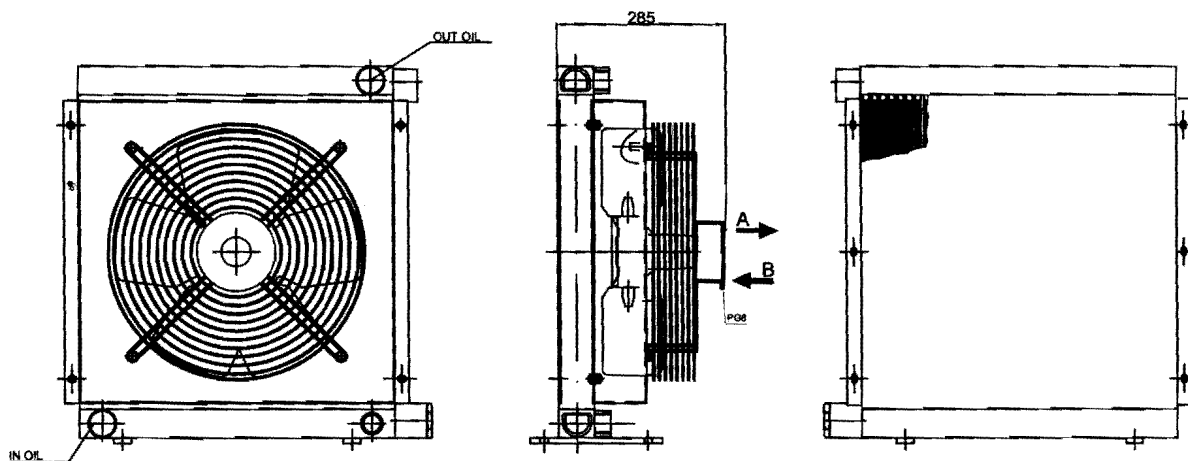


Air - Oil coolers series CSLV5

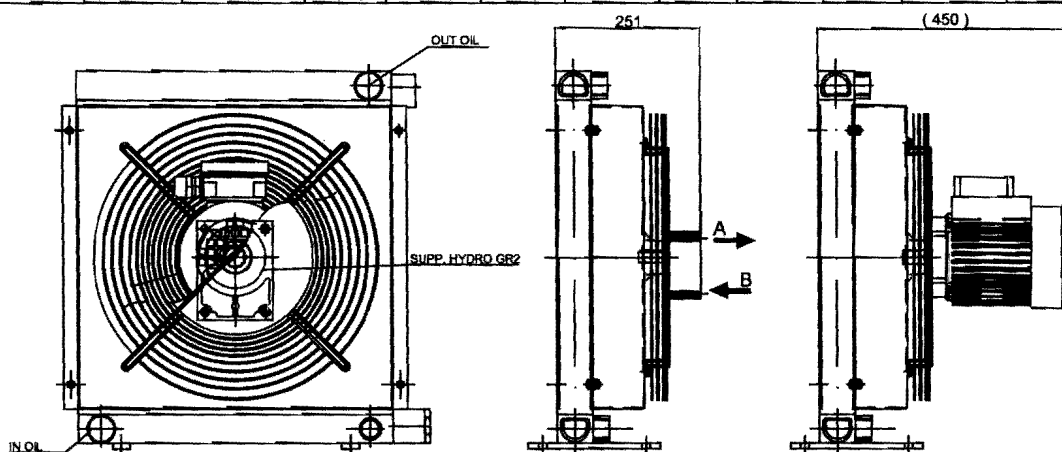
Code	Tension (V)	Frequency (Hz)	Rpm (N°)	Air flow (m³/h)	Power (Kw)	Current (A)	ØFan (mm)	IP Fan	Lwa dB (A)	Capacity (lt)	Weight (Kg)	Color Painting
CSLV5.12.0.00	12	DC	3150 (x2)	950 (x2)	0.09 (x2)	5.8 (x2)	255 (x2)	68	70	3.9	19	Black
CSLV5.24.0.00	24	DC	3050 (x2)	950 (x2)	0.10 (x2)	3 (x2)	255 (x2)	68	70	3.9	19	Black



Code	Tension (V)	Frequency (Hz)	Rpm (N°)	Air flow (m³/h)	Power (Kw)	Current (A)	ØFan (mm)	IP Fan	Lwa dB (A)	Capacity (lt)	Weight (Kg)	Color Painting
CSLV5.22.0.00	230	50/60	1600	6400	0.66	1.35	450	54	73	3.9	21	Black
CSLV5.38.0.00	230/400	50/60	1600	6500	0.66	1.20	450	54	73	3.9	21	Black



Code	Tension (V)	Frequency (Hz)	Rpm (N°)	Air flow (m³/h)	Power (Kw)	Current (A)	ØFan (mm)	IP Fan	Lwa dB (A)	Capacity (lt)	Weight (Kg)	Color Painting
CSLV5.G2.0.00	//	//	//	//	//	//	450	//	//	3.9	19	Black
CSLV5.40.0.00	230/400	50/60	1600	5000	0.55	1.88	450	55	76	3.9	25	Black



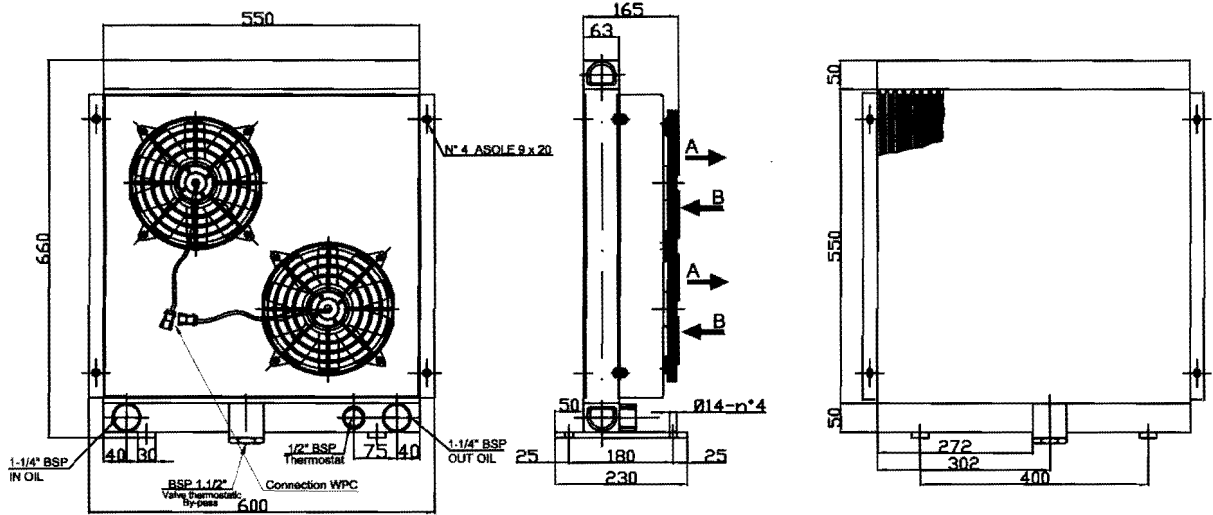
Technical characteristic herein mentioned are not binding and it can be modified from CIESSE without any notice



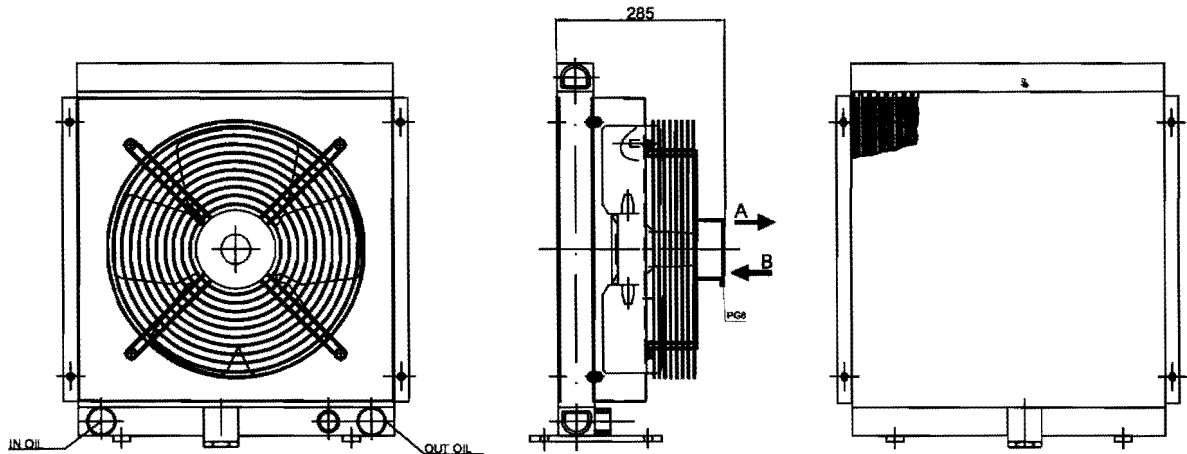


Air - Oil coolers series CSLV5 - 2 Passages

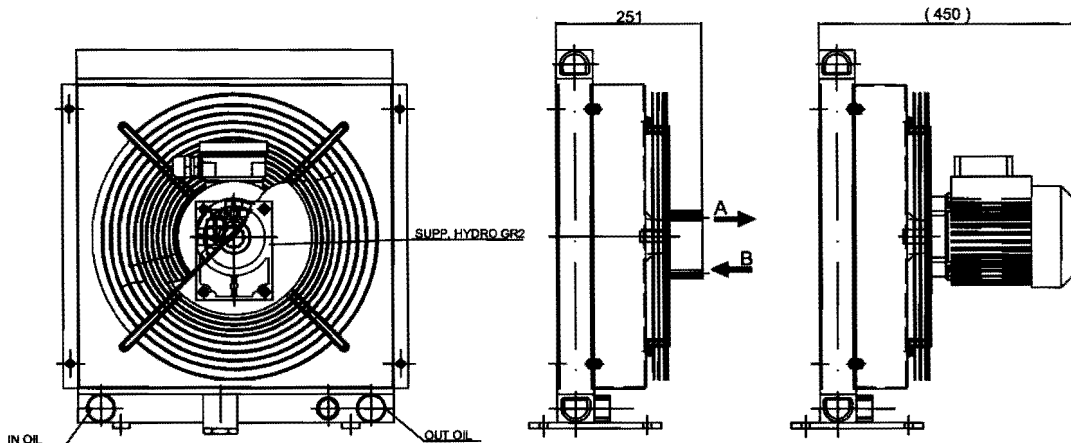
Code	Tension (V)	Frequency (Hz)	Rpm (N°)	Air flow (m³/h)	Power (Kw)	Current (A)	ØFan (mm)	IP Fan	Lwa (dB (A))	Capacity (lt)	Weight (Kg)	Color Painting
CSLV5.12.0.002	12	DC	3150 (x2)	950 (x2)	0.09 (x2)	5.8 (x2)	255 (x2)	68	70	3.9	19	Black
CSLV5.24.0.002	24	DC	3050 (x2)	950 (x2)	0.10 (x2)	3 (x2)	255 (x2)	68	70	3.9	19	Black



Code	Tension (V)	Frequency (Hz)	Rpm (N°)	Air flow (m³/h)	Power (Kw)	Current (A)	ØFan (mm)	IP Fan	Lwa (dB (A))	Capacity (lt)	Weight (Kg)	Color Painting
CSLV5.22.0.002	230	50/60	1600	6400	0.66	1.35	450	54	73	3.9	21	Black
CSLV5.38.0.002	230/400	50/60	1600	6500	0.66	1.20	450	54	73	3.9	21	Black



Code	Tension (V)	Frequency (Hz)	Rpm (N°)	Air flow (m³/h)	Power (Kw)	Current (A)	ØFan (mm)	IP Fan	Lwa (dB (A))	Capacity (lt)	Weight (Kg)	Color Painting
CSLV5.G2.0.002	//	//	//	//	//	//	450	//	//	3.9	19	Black
CSLV5.40.0.002	230/400	50/60	1600	5000	0.55	1.88	450	55	76	3.9	25	Black

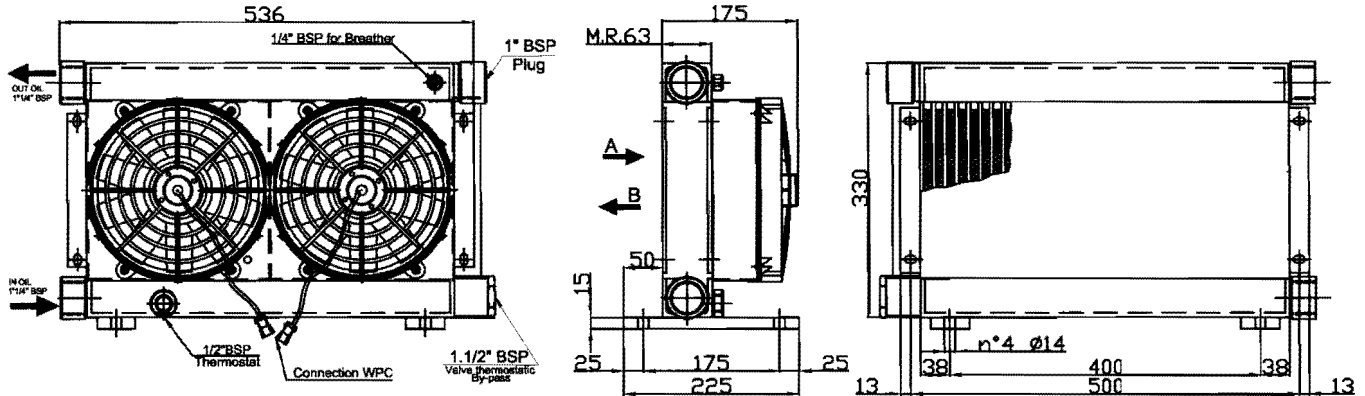


Technical characteristic herein mentioned are not binding and it can be modified from CIESSE without any notice

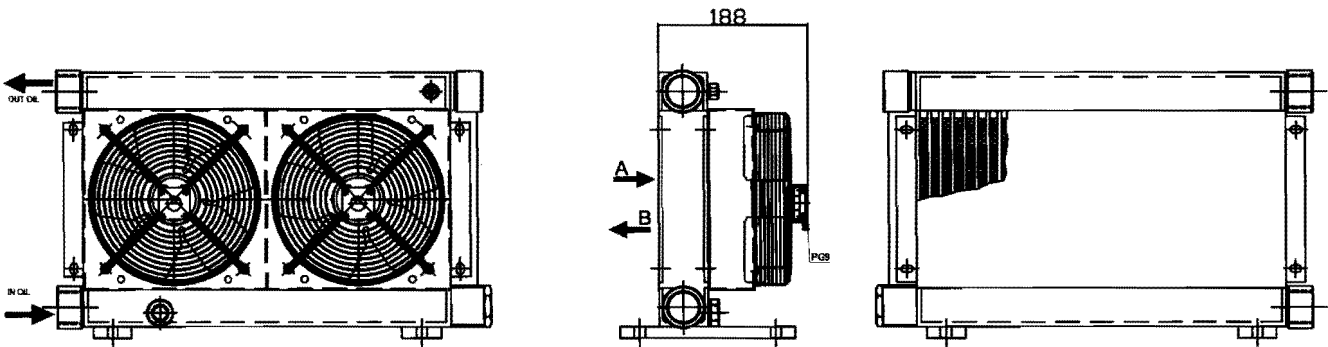


Air - Oil coolers series CSLV1/2

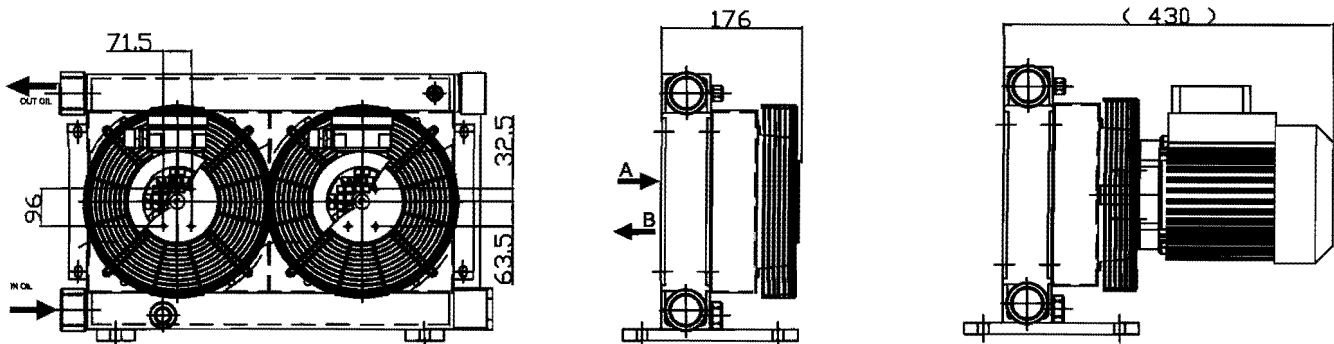
Code	Tension (V)	Frequency (Hz)	Rpm (N°)	Air flow (m³/h)	Power (Kw)	Current (A)	ØFan (mm)	IP Fan	Lwa dB (A)	Capacity (lt)	Weight (Kg)	Color Painting
CSLV1/2.12.0.00	12	DC	3100 (x2)	900 (x2)	0.09 (x2)	5.9 (x2)	225 (x2)	68	72	2.5	10	Black
CSLV1/2.24.0.00	24	DC	3050 (x2)	885 (x2)	0.10 (x2)	2.7 (x2)	225 (x2)	68	72	2.5	10	Black



Code	Tension (V)	Frequency (Hz)	Rpm (N°)	Air flow (m³/h)	Power (Kw)	Current (A)	ØFan (mm)	IP Fan	Lwa dB (A)	Capacity (lt)	Weight (Kg)	Color Painting
CSLV1/2.22.0.00	230	50/60	3200 (x2)	810 (x2)	0.08 (x2)	0.5 (x2)	200 (x2)	44	66	2.5	11.5	Black
CSLV1/2.38.0.00	230/400	50/60	2800 (x2)	810 (x2)	0.06 (x2)	0.3 (x2)	200 (x2)	44	66	2.5	11.5	Black



Code	Tension (V)	Frequency (Hz)	Rpm (N°)	Air flow (m³/h)	Power (Kw)	Current (A)	ØFan (mm)	IP Fan	Lwa dB (A)	Capacity (lt)	Weight (Kg)	Color Painting
CSLV1/2.G2.0.00	//	//	//	//	//	//	200 (x2)	//	//	2.5	11.5	Black
CSLV1/2.40.0.00	230/400	50/60	1350 (x2)	400 (x2)	0.25 (x2)	0.72 (x2)	200 (x2)	55	67	2.5	18.5	Black

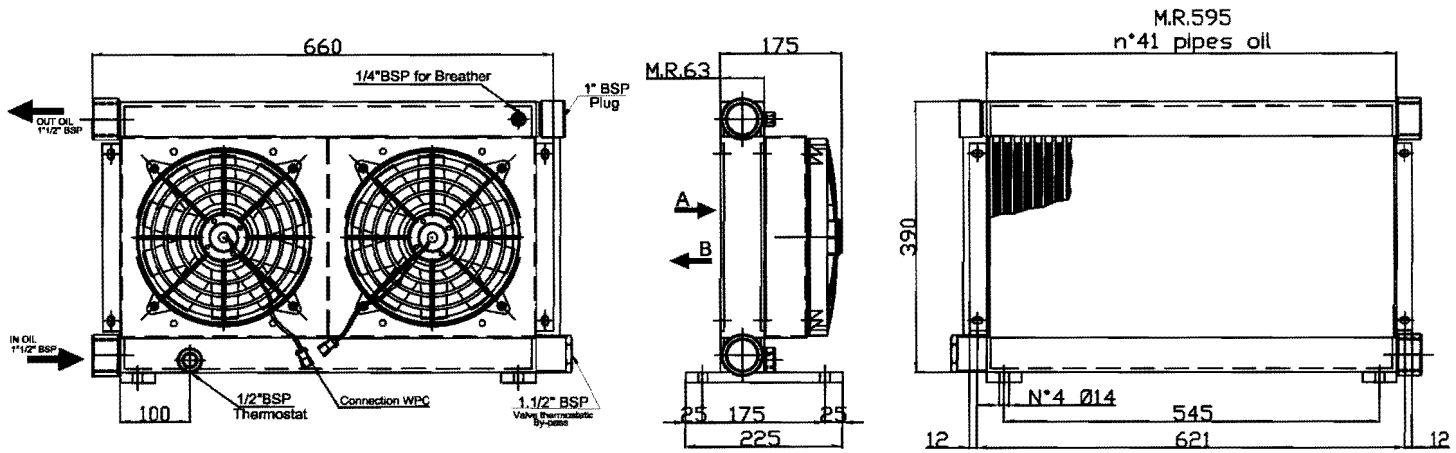


Technical characteristic herein mentioned are not binding and it can be modified from CIESSE without any notice

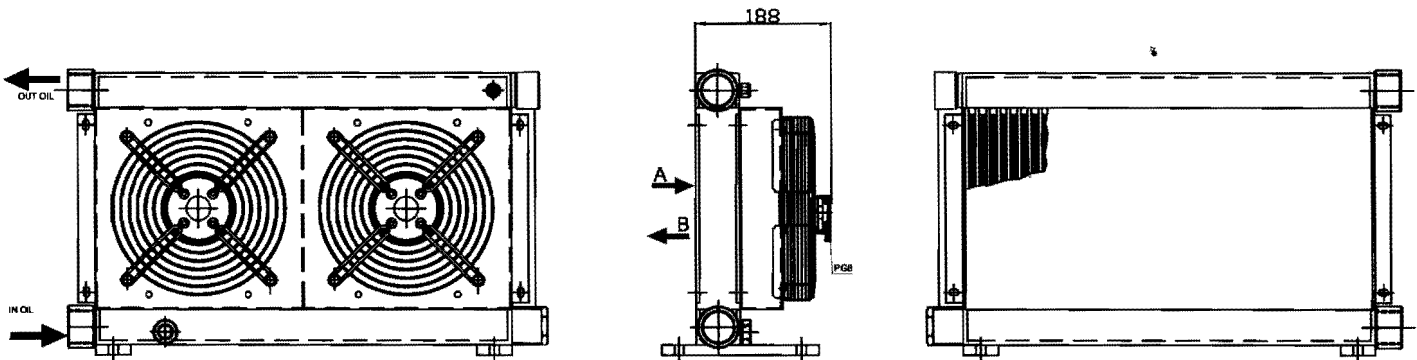


Air - Oil coolers series CSLV2/2

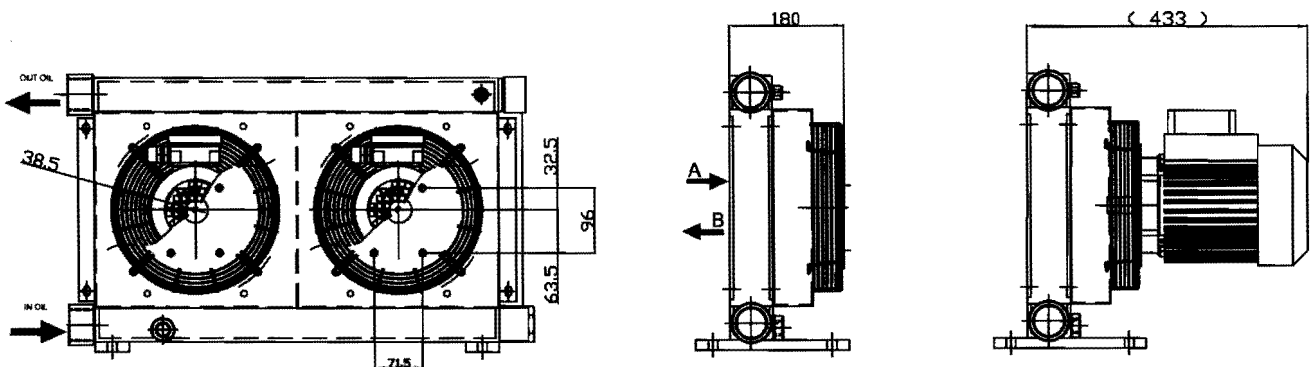
Code	Tension (V)	Frequency (Hz)	Rpm (N°)	Air flow (m³/h)	Power (Kw)	Current (A)	ØFan (mm)	IP Fan	Lwa dB (A)	Capacity (lt)	Weight (Kg)	Color Painting
CSLV2/2.12.0.00	12	DC	3150 (x2)	950 (x2)	0.09 (x2)	5.8 (x2)	255 (x2)	68	70	3.3	11	Black
CSLV2/2.24.0.00	24	DC	3050 (x2)	950 (x2)	0.10 (x2)	3 (x2)	255 (x2)	68	70	3.3	11	Black



Code	Tension (V)	Frequency (Hz)	Rpm (N°)	Air flow (m³/h)	Power (Kw)	Current (A)	ØFan (mm)	IP Fan	Lwa dB (A)	Capacity (lt)	Weight (Kg)	Color Painting
CSLV2/2.22.0.00	230	50/60	2850 (x2)	1960 (x2)	0.13 (x2)	0.55 (x2)	250 (x2)	44	71	3.3	18	Black
CSLV2/2.38.0.00	230/400	50/60	2700 (x2)	1830 (x2)	0.11 (x2)	0.4 (x2)	250 (x2)	44	71	3.3	18	Black



Code	Tension (V)	Frequency (Hz)	Rpm (N°)	Air flow (m³/h)	Power (Kw)	Current (A)	ØFan (mm)	IP Fan	Lwa dB (A)	Capacity (lt)	Weight (Kg)	Color Painting
CSLV2/2.G2.0.00	//	//	//	//	//	//	250 (x2)	//	//	3.3	11	Black
CSLV2/2.40.0.00	230/400	50/60	1450 (x2)	1100 (x2)	0.25 (x2)	0.68 (x2)	250 (x2)	55	64	3.3	20	Black

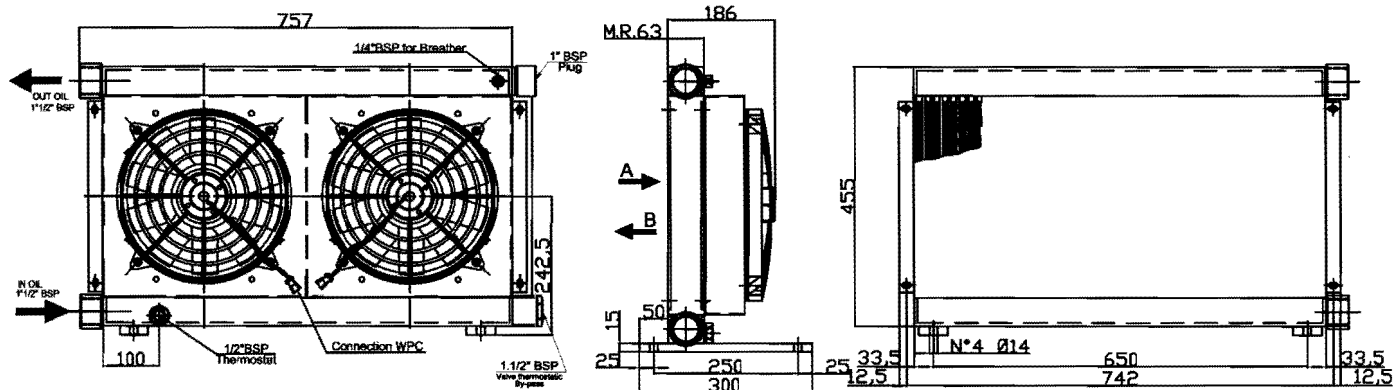


Technical characteristic herein mentioned are not binding and it can be modified from CIESSE without any notice

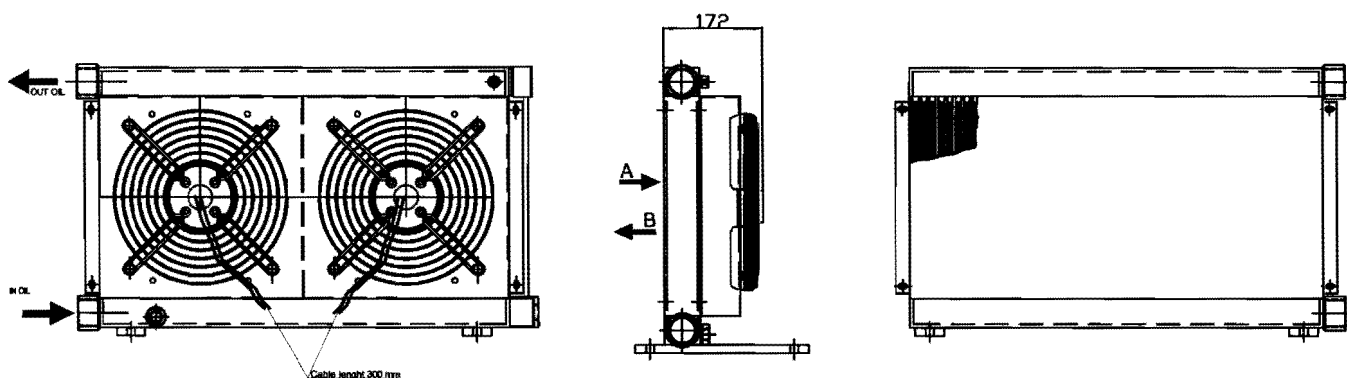


Air - Oil coolers series CSLV3/2

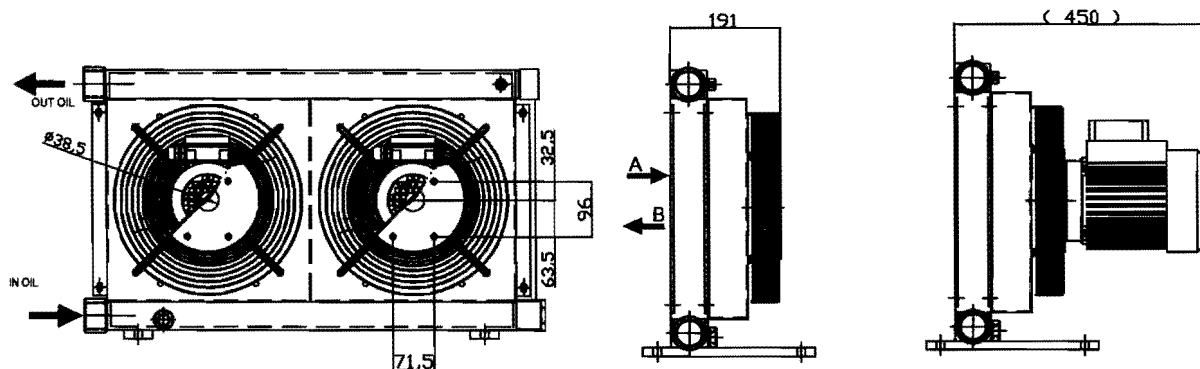
Code	Tension (V)	Frequency (Hz)	Rpm (N°)	Air flow (m³/h)	Power (Kw)	Current (A)	ØFan (mm)	IP Fan	Lwa dB (A)	Capacity (lt)	Weight (Kg)	Color Painting
CSLV3/2.12.0.00	12	DC	3150 (x2)	2670 (x2)	0.15 (x2)	11 (x2)	305 (x2)	68	69	4	18.5	Black
CSLV3/2.24.0.00	24	DC	3050 (x2)	2670 (x2)	0.15 (x2)	5.5 (x2)	305 (x2)	68	69	4	18.5	Black



Code	Tension (V)	Frequency (Hz)	Rpm (N°)	Air flow (m³/h)	Power (Kw)	Current (A)	ØFan (mm)	IP Fan	Lwa dB (A)	Capacity (lt)	Weight (Kg)	Color Painting
CSLV3/2.22.0.00	230	50/60	2600 (x2)	2600 (x2)	0.35 (x2)	1.55 (x2)	300 (x2)	44	70	4	20.5	Black
CSLV3/2.38.0.00	230/400	50/60	2600 (x2)	2600 (x2)	0.30 (x2)	0.48 (x2)	300 (x2)	44	70	4	20.5	Black



Code	Tension (V)	Frequency (Hz)	Rpm (N°)	Air flow (m³/h)	Power (Kw)	Current (A)	ØFan (mm)	IP Fan	Lwa dB (A)	Capacity (lt)	Weight (Kg)	Color Painting
CSLV3/2.G2.0.00	//	//	//	//	//	//	300 (x2)	//	//	4	20.5	Black
CSLV3/2.40.0.00	230/400	50/60	1450 (x2)	1950 (x2)	0.37 (x2)	1.03 (x2)	300 (x2)	55	70	4	29	Black

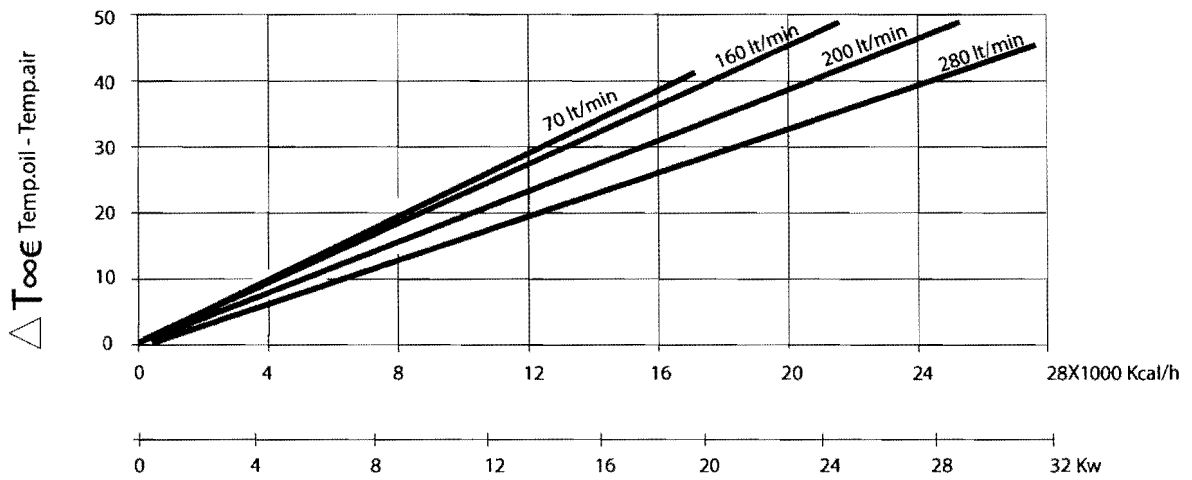


Technical characteristic herein mentioned are not binding and it can be modified from CIESSE without any notice

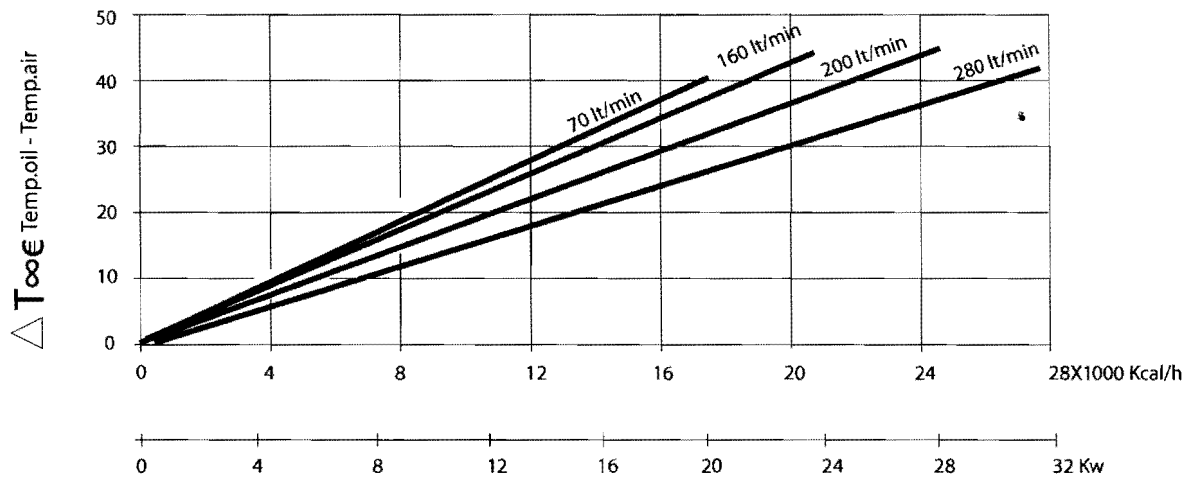


CSL3/2 and CSLV3/2

THERMIC EFFICIENCY FOR 12-24 DC



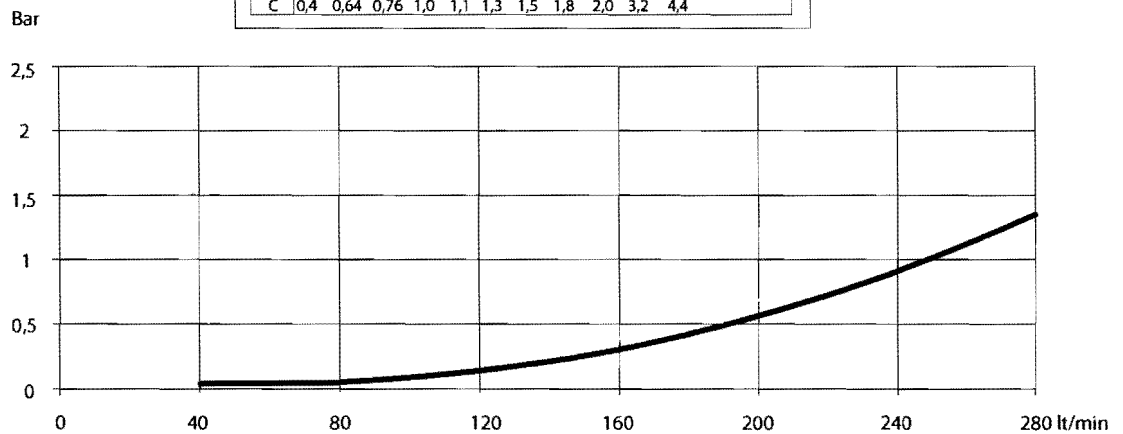
THERMIC EFFICIENCY FOR 22-38 AC



PRESSURE DROP

In order to know different viscosity, please multiply cst x C correction factor

cst	10	15	20	30	40	50	60	80	100	200	300
C	0,4	0,64	0,76	1,0	1,1	1,3	1,5	1,8	2,0	3,2	4,4

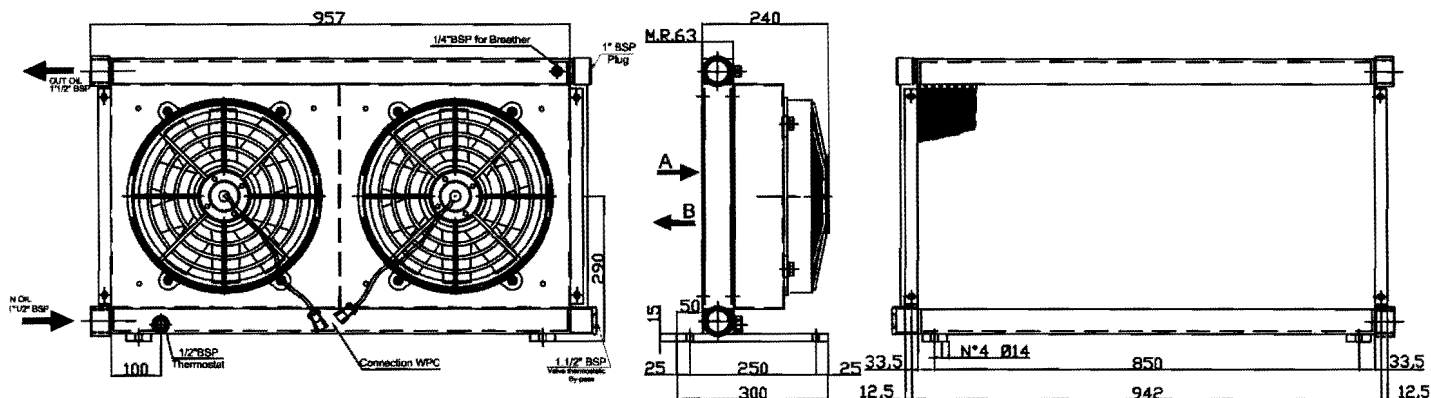


Technical characteristic herein mentioned are not binding and it can be modified from CIESSE without any notice

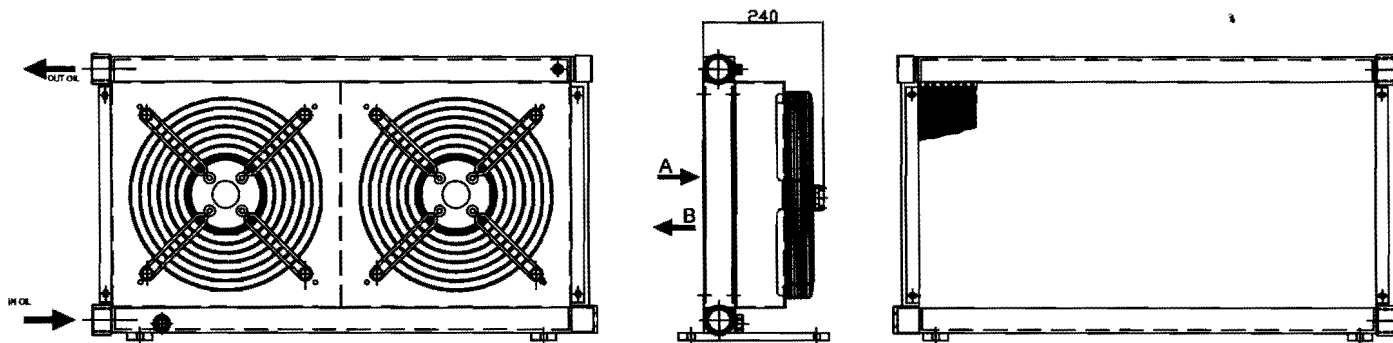


Air - Oil coolers series CSLV4/2

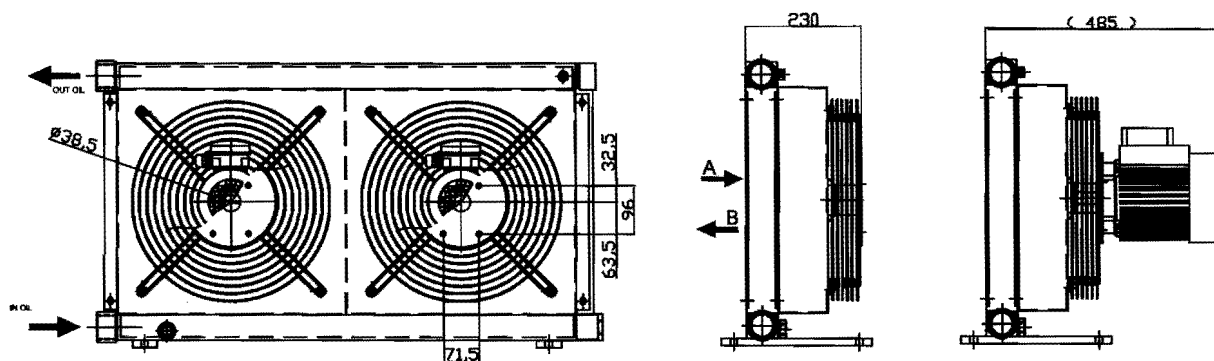
Code	Tension (V)	Frequency (Hz)	Rpm (N°)	Air flow (m³/h)	Power (Kw)	Current (A)	ØFan (mm)	IP Fan	Lwa dB (A)	Capacity (lt)	Weight (Kg)	Color Painting
CSLV4/2.12.0.00	12	DC	2650 (x2)	3300 (x2)	0.21 (x2)	13 (x2)	385 (x2)	68	75	6	25.5	Black
CSLV4/2.24.0.00	24	DC	2650 (x2)	3300 (x2)	0.21 (x2)	8.1 (x2)	385 (x2)	68	75	6	25.5	Black



Code	Tension (V)	Frequency (Hz)	Rpm (N°)	Air flow (m³/h)	Power (Kw)	Current (A)	ØFan (mm)	IP Fan	Lwa dB (A)	Capacity (lt)	Weight (Kg)	Color Painting
CSLV4/2.22.0.00	230	50/60	2350 (x2)	3200 (x2)	0.17 (x2)	0.74 (x2)	400 (x2)	44	68	6	28.5	Black
CSLV4/2.38.0.00	230/400	50/60	2450 (x2)	3200 (x2)	0.19 (x2)	0.52 (x2)	400 (x2)	44	68	6	28.5	Black



Code	Tension (V)	Frequency (Hz)	Rpm (N°)	Air flow (m³/h)	Power (Kw)	Current (A)	ØFan (mm)	IP Fan	Lwa dB (A)	Capacity (lt)	Weight (Kg)	Color Painting
CSLV4/2.G2.0.00	//	//	//	//	//	//	//	//	//	6	28.5	Black
CSLV4/2.40.0.00	230/400	50/60	1450 (x2)	3200 (x2)	0.55 (x2)	1.52 (x2)	400 (x2)	55	72	6	39	Black



Technical characteristic herein mentioned are not binding and it can be modified from CIESSE without any notice