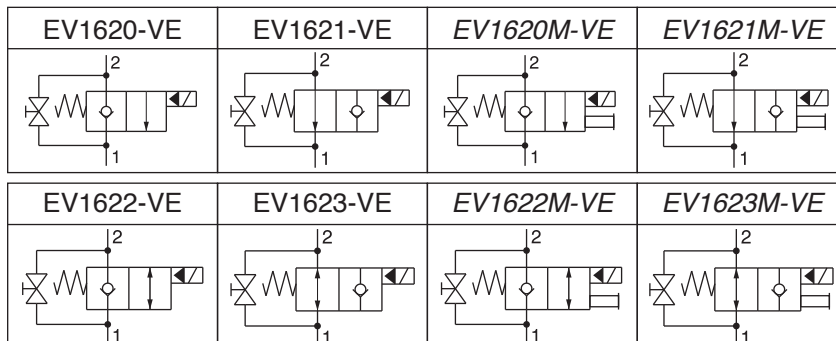
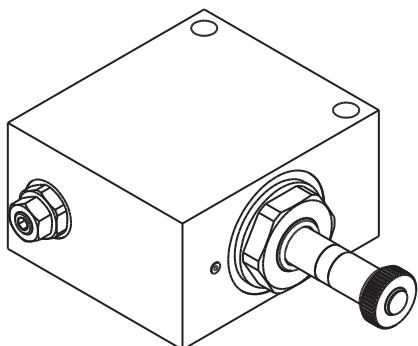


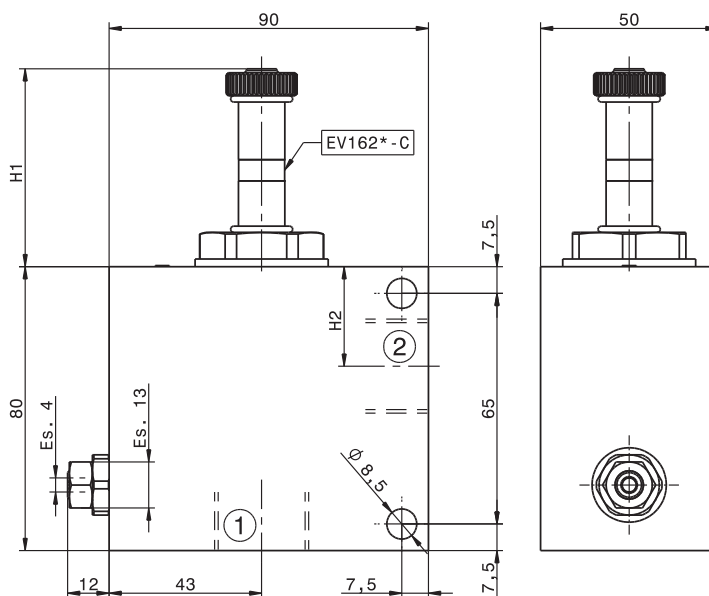
Valvola elettrica direzionale 2/2 con vite di emergenza
2/2 solenoid directional valve with emergency screw

mod. EV-16-2X-VE



Portata massima Max flow	150 l/min 40 gpm	
Pressione massima Max pressure	EV-16-2X-**-VE-Y	250 bar 3600 psi
	EV-16-2X-**-VE-Y (Su richiesta) (Upon request)	300 bar 4300 psi

Dati e tarature ottenuti usando olio a 30 cSt a 50°C.
Viscosità raccomandate 10 ÷ 420 cSt. Temperature di lavoro -20÷+90 °C. Filtrazione assoluta 25 µ.
Performances and calibrations are carried out by using hydraulic oil with 30 cSt viscosity at 50°C (122 F). Recommended viscosity 10 ÷ 420 cSt, working temperature -20÷+90 °C (-4 F÷194 F). Absolute filtration 25 µ.

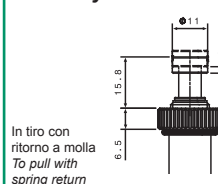


Modello Type	② ①	H1	H2
EV1620-34-VE	G3/4	56	28
EV1620-10-VE	G1	56	31
EV1621-34-VE	G3/4	61	28
EV1621-10-VE	G1	61	31
EV1622-34-VE	G3/4	56	28
EV1622-10-VE	G1	56	31
EV1623-34-VE	G3/4	61	28
EV1623-10-VE	G1	61	31
EV1620M-34-VE	G3/4	78	28
EV1620M-10-VE	G1	78	31
EV1621M-34-VE	G3/4	81	28
EV1621M-10-VE	G1	81	31
EV1622M-34-VE	G3/4	78	28
EV1622M-10-VE	G1	78	31
EV1623M-34-VE	G3/4	81	28
EV1623M-10-VE	G1	81	31

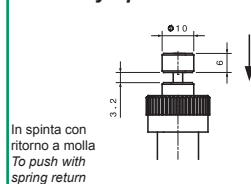
Perdite interne: max. 5 gocce/minuto a 250 bar
Internal leakage: max. 5 drops/min at 250 bar

Emergenze disponibili su richiesta
Emergency available upon request

Normally closed



Normally open



** Version "Y" NA normally open is available only with MS emergency

Sigla di ordinazione / Ordering code

EV1620	34	VE	-	-
--------	----	----	---	---

Modello/Type
 EV1620 EV1621
 EV1622 EV1623
 EV1620M** EV1621M**
 EV1622M** EV1623M**

Filettature / Port thread
 34 G3/4
 10 G1

Materiale / Material
 - Alluminio/Aluminium
A Acciaio/Steel (su richiesta / upon request)

- Pressione massima 250 bar
 Max Pressure 250 bar
Y Pressione massima 300 bar
 Max pressure 300 bar

M standard emergency screw type
MT pull (only for normally closed)
MS push (only for normally open)

For flow diagram see
PRESSURE DROP SOLENOID VALVE (5)

* Bobina venduta separatamente mod. S1
 * Coil sold separately mod. S1

I dati non sono impegnativi, CBF si riserva di apportare modifiche senza preavviso.
The specifications are not binding, CBF reserves the right to introduce modifications without notice.