

LMP 110



Maximum pressure 80 bar
Flow rates to 160 l/min

Filter housing (Materials)

- Head: Aluminium
- Housing: Cataphoresis Painting
- Bypass valve: Brass - Aluminium

Pressure

LMP 110 length: 1 - 2 - 3 - 4

- Working pressure: 80 bar (8 MPa)
- Test pressure: 120 bar (12 MPa)
- Burst pressure: 290 bar (29 MPa)
- Pulse pressure fatigue test: 1.000.000 cycles with pressure from 0 to 80 bar (8 MPa)

Temperature

- From -25 °C to +110 °C

Bypass valve

- Opening pressure 3.5 bar ±10%
- Other opening pressures on request.

Δp Elements type

- Series N and W elements: 20 bar
- Oil flow from exterior to interior.

Seals

- Standard NBR series A
- Optional FPM series V

Weights (kg)

Length

- LMP110 - 1 1,6
- LMP110 - 2 1,8
- LMP110 - 3 2,1
- LMP110 - 4 2,6

Volumes (dm³)

Length

- LMP110 - 1 0,75
- LMP110 - 2 0,81
- LMP110 - 3 1,11
- LMP110 - 4 1,53

Connections

- Inlet/Outlet In-Line LMP 110
- Inlet/Outlet In-Line + second inlet port 90° LMP 112
- Inlet/Outlet In-Line + second outlet port 90° LMP 116
- Inlet/Outlet In-Line + outlet bypass port 90° LMP 118
- Inlet/Outlet In-Line + outlet safety valve 90° LMP 119

Compatibility (to ISO 2943)

- Housings compatible with: Mineral oils, synthetic fluids. Aqueous emulsions, water and glycol (series W required).
- The filter elements are compatible with: Mineral oils, synthetic fluids. Aqueous emulsions, water and glycol (series W required).

- NBR seals series A, compatible with: Mineral oils, synthetic fluids, aqueous emulsions and water and glycol.
- FPM seals series V, compatible with: Synthetic fluids type HS-HFDR-HFDS-HFDU

Recommended maximum flow rate => see page 35

Filter Element Area

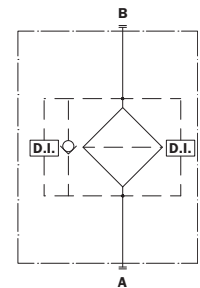
Filter element in stainless steel mesh
Length

Type	1	2	3	4
CU 110	1302	1764	2464	3864
Values expressed in cm ²				

LMP 110



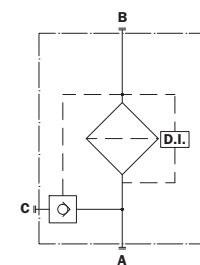
Style LMP 110



LMP 118



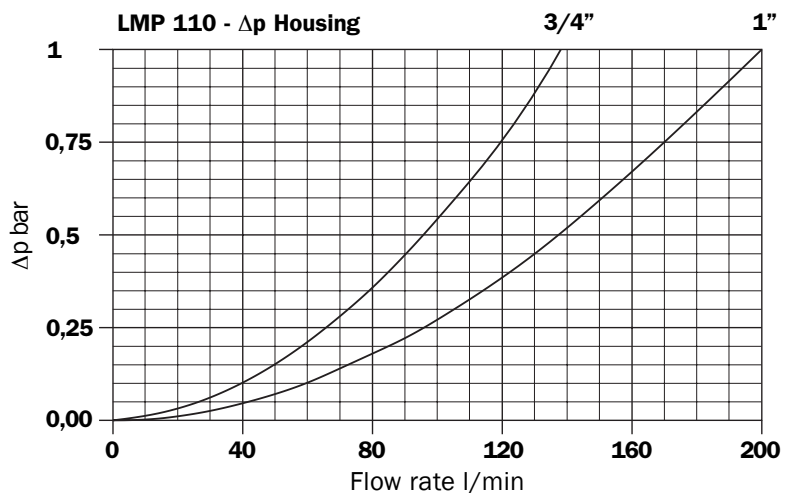
Style LMP 118



Filter housings Δp pressure drop

The curves are plotted utilising mineral oil with density of 0.86 kg/dm³ to ISO 3968.

Δp varies proportionally with density.



LMP 112



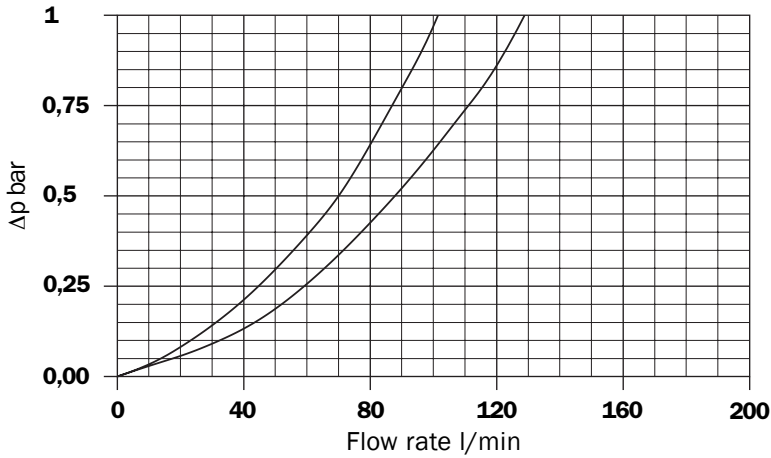
LMP 112 (plug not included)



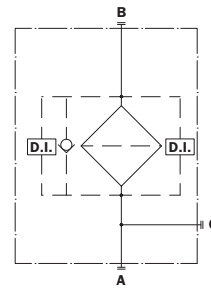
LMP 116 (plug not included)



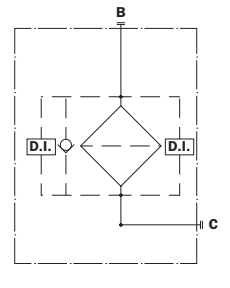
LMP 112 - Δp Housing OUT 3/4" OUT 1"



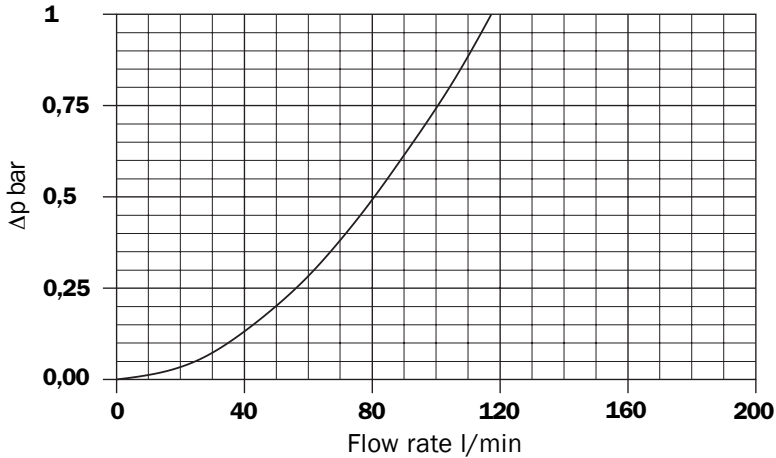
Style
LMP 112



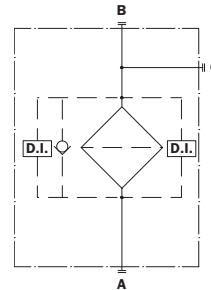
Style
LMP 112



LMP 116 - Δp Housing IN 3/4" - 1"



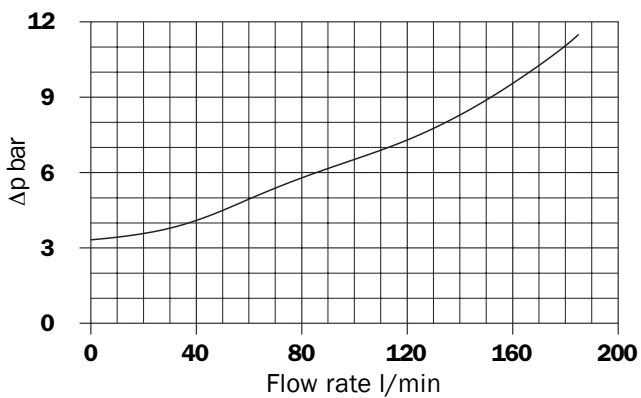
Style
LMP 116



Valves

Bypass valve pressure drop

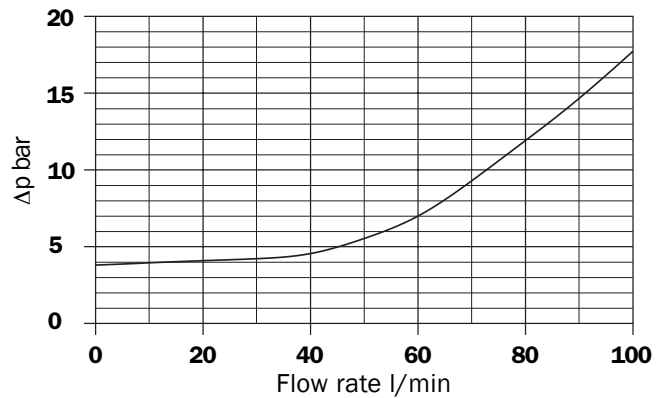
LMP 110 - LMP 112 - LMP 116 - 119



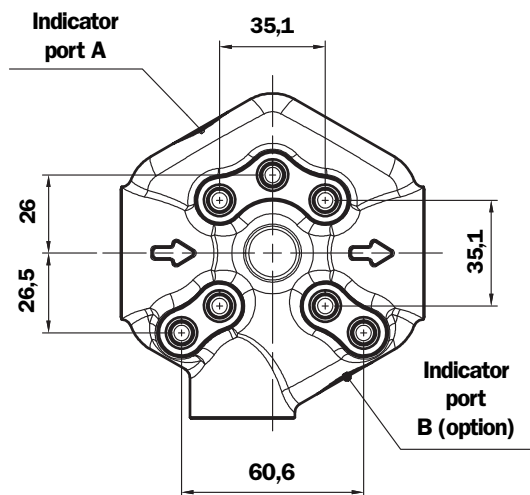
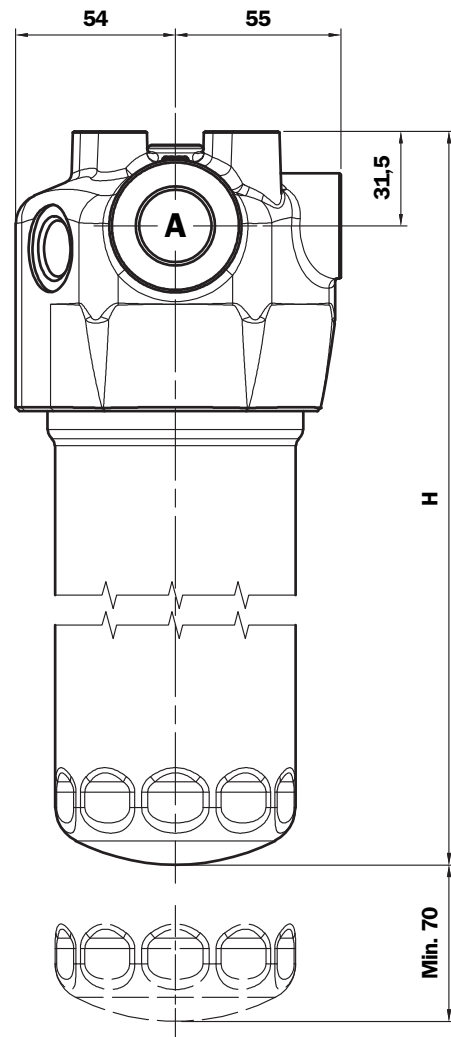
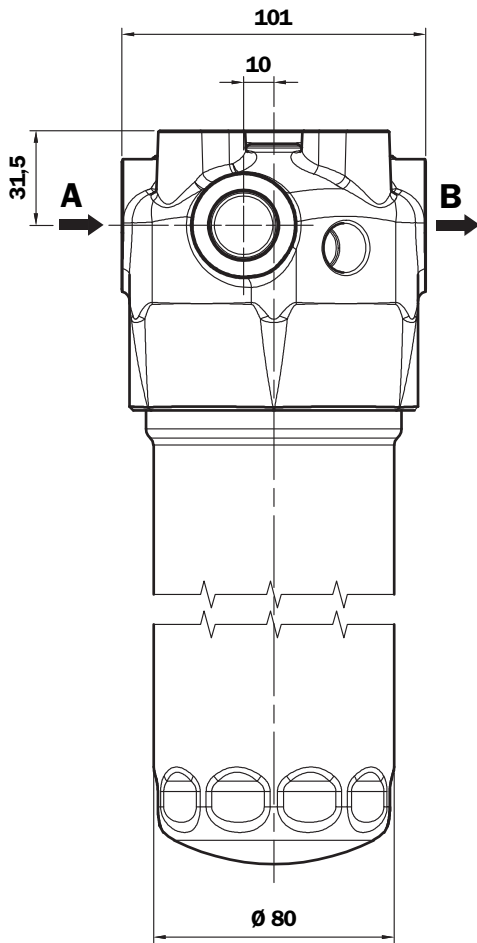
Valves

Bypass valve pressure drop

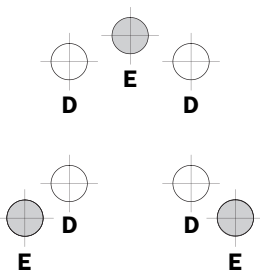
LMP 118



LMP 110

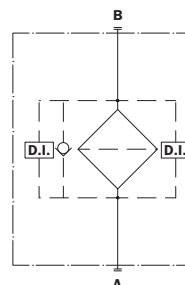


Filter fixing holes LMP 110 - 112 - 116 - 118 - 119



Double filter fixing holes

- D** 3/8" UNC x depth 12 mm
- E** M10 x depth 12 mm

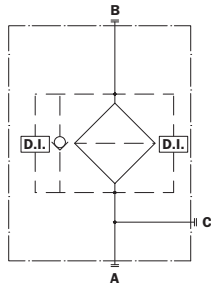
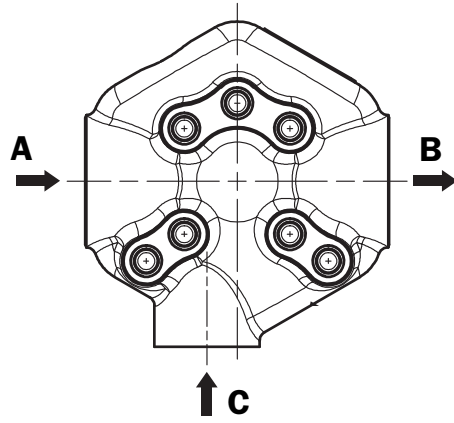


LMP 110

Length Filter	H mm
1	182
2	215
3	265
4	365

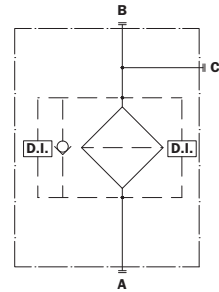
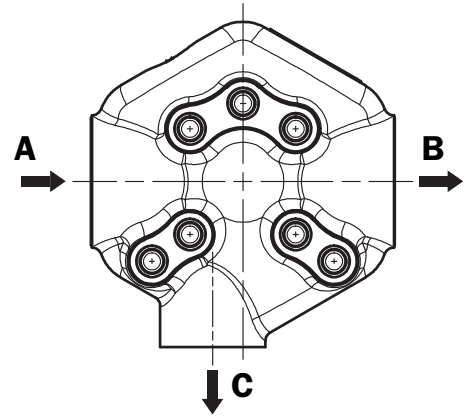
St.	Connections A - B
A	G 3/4"
B	G 1"
C	3/4" NPT
D	1" NPT
E	SAE 12
F	SAE 16

LMP 112

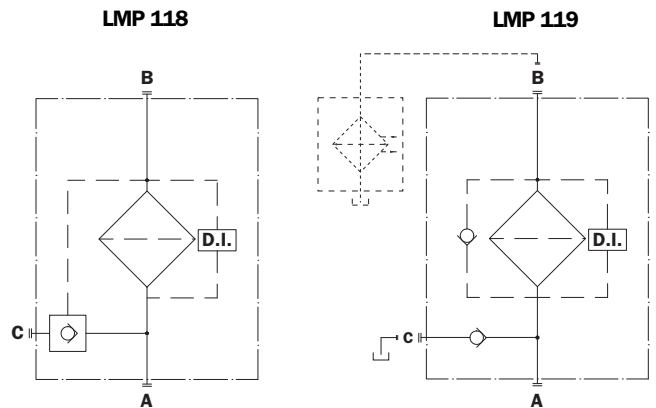
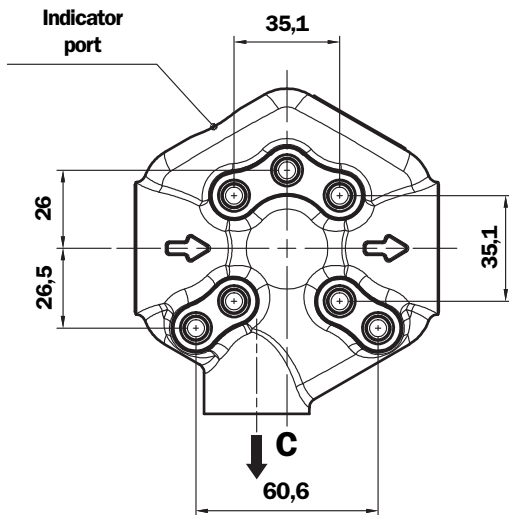
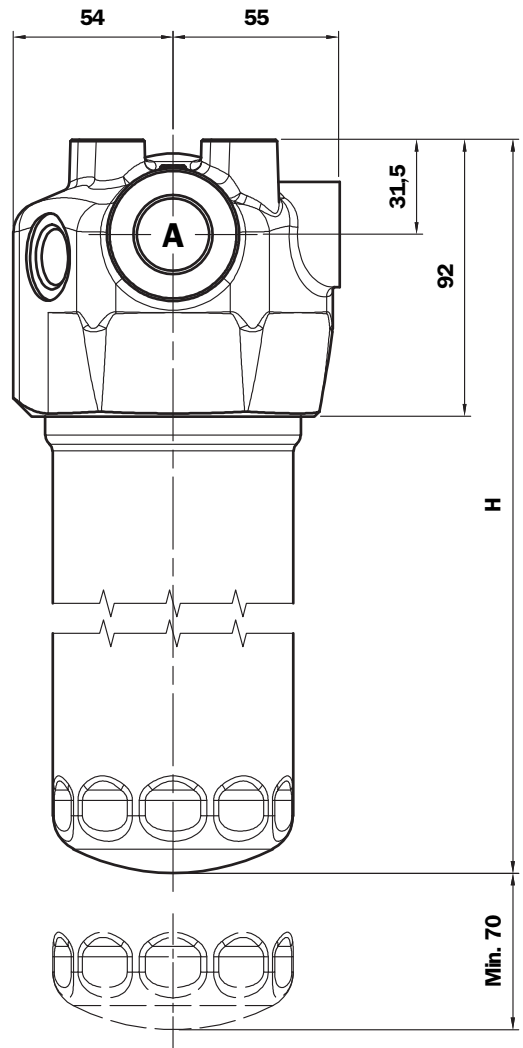
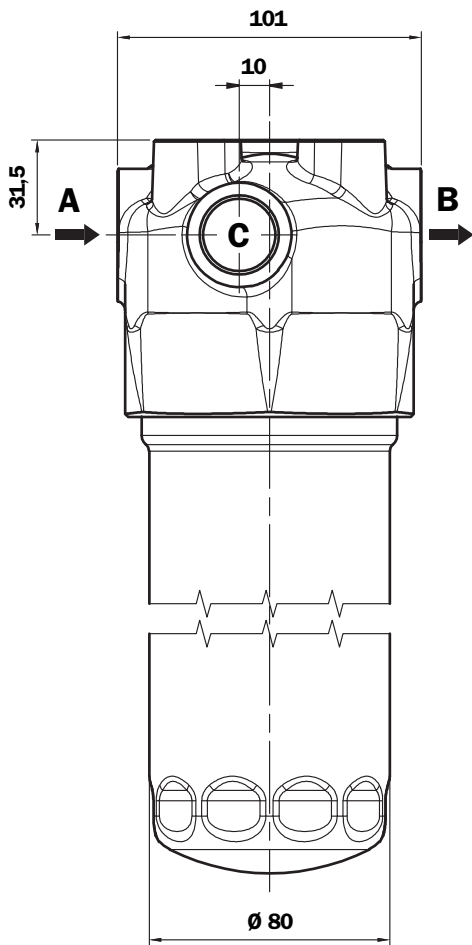


St.	Connections A - B	Lateral connections C
A	G 3/4"	G 3/4"
B	G 1"	G 3/4"
C	3/4" NPT	3/4" NPT
D	1" NPT	3/4" NPT
E	SAE 12	SAE 12
F	SAE 16	SAE 12

LMP 116



LMP 118 - 119

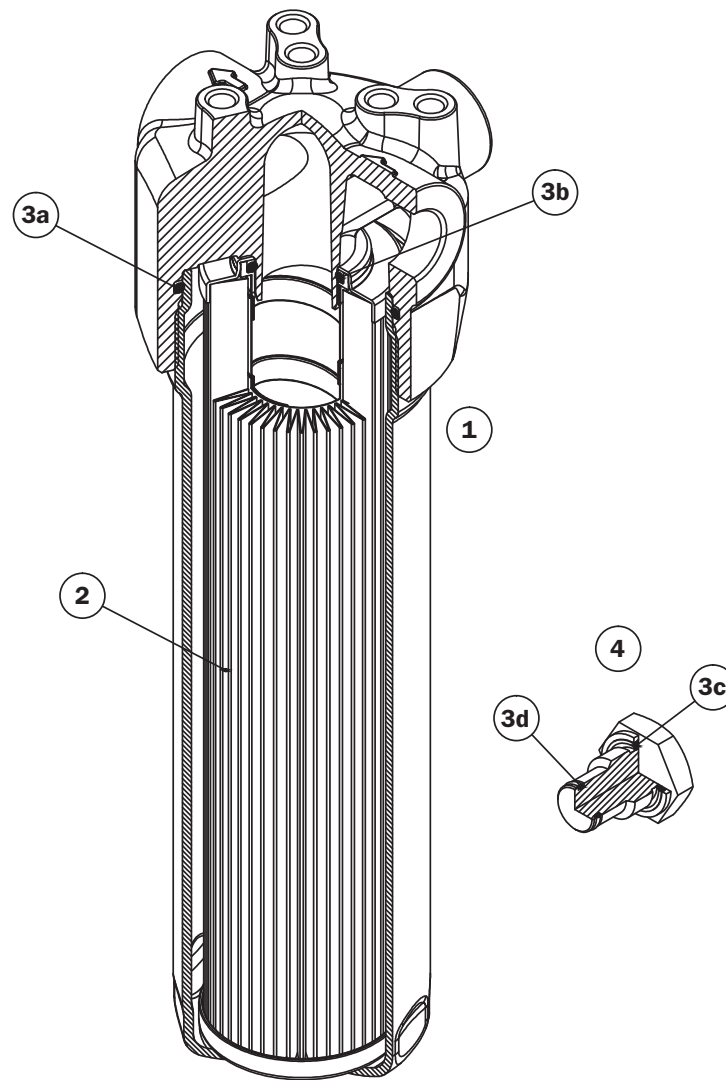


LMP 118 - 119

Length Filter	H mm
1	182
2	215
3	265
4	365

St.	Connections A - B	Lateral connection C
A	G 3/4"	G 3/4"
B	G 1"	G 3/4"
C	3/4" NPT	3/4" NPT
D	1" NPT	3/4" NPT
E	SAE 12	SAE 12
F	SAE 16	SAE 12

Spare parts



Item	Description	Q.ty	FILTER Series	
			LMP 110 - 112 - 116 - 118 - 119	
1	Filter assembly	1	See order table	
2	Filter element	1	See order table	
3	Seals Kit	1	NBR 02050478	FPM 02050479
3a	O-Ring for housing	1	O-R 4312 Ø 78,97 x 3,53	
3b	O-Ring for filter element	1	O-R 4125 Ø 31,34 x 3,53	
3c	Seal for indicator	1	NBR 01030058	FPM 01030046
3d	O-Ring for indicator	1	O-R 2050 Ø 12,42 x 1,78	
4	Indicator connection plug	1	T2H	T2V
-	Indicators	1	See order table	

Ordering information LMP 110 - 119

Filter assembly

LMP

Example: LMP

1	2	3	4	5	6	7	8	9
<input type="checkbox"/>	<input type="checkbox"/>	<input type="checkbox"/>	<input type="checkbox"/>	<input type="checkbox"/>	<input type="checkbox"/>	<input type="checkbox"/>	<input type="checkbox"/>	<input type="checkbox"/>
110	2	B	A	B	3	A10	N	P01

Filter element

CU110

Example: CU110

2	7	4	8	9
<input type="checkbox"/>	<input type="checkbox"/>	<input type="checkbox"/>	<input type="checkbox"/>	<input type="checkbox"/>
2	A10	A	N	P01

1 - Style

Filter

110
112
116
118
119

Filter element

110
110
110
110
110

2 - Filter length

1
2
3
4

3 - Valves

S	Without bypass (excluded LMP 118 - 119)
B	With bypass
<input type="checkbox"/>	With bypass Opening pressure: on request

4 - Filter seals

A	NBR
V	FPM
W	NBR (Compatible with fluid HFA, HFB, HFC)
<input type="checkbox"/>	On request

5 - Connection

Type	MULTIPOINT
A	G 3/4"
B	G 1"
C	3/4" NPT
D	1" NPT
E	SAE 12
F	SAE 16

6 - Indicator port

1	No
2	A
3	B (excluded LMP 118 - 119)
6	A+B (excluded LMP 118 - 119)

7 - Filter element

A01	Inorganic microfibre* 1 μ	} Absolute filtration $\beta_x(c) \geq 1000$
A03	Inorganic microfibre 3 μ	
A06	Inorganic microfibre 6 μ	
A10	Inorganic microfibre 10 μ	
A16	Inorganic microfibre 16 μ	
A25	Inorganic microfibre 25 μ	

* On request

M25	Wire mesh	} Nominal Filtration
M60	Wire mesh	
M90	Wire mesh	
P10	Resin impregnated paper	} Nominal Filtration
P25	Resin impregnated paper	

8 - Max filter element differential pressure

N	Δp 20 bar
----------	-------------------

9 - Option

P01	MP Filtri standard
Pxx	On request

DIFFERENTIAL INDICATORS (see page 120)

MP Filtri - The filter functions as described in this bulletin are valid exclusively for original MP Filtri filter elements and replacement parts. All rights reserved

The data in this publication are purely guideline. MP Filtri reserves the right to make changes to the models described herein at any time it deems fit in relation to technical or commercial requirements. The colours of the products shown on the cover are purely guideline. Copyright. All rights reserved.

LMP 120



Maximum pressure 80 bar
Flow rates to 200 l/min

Filter housing (Materials)

- Head: Aluminium
- Housing: Cathaphoresis Painting
- Bypass valve: Brass - Aluminium

Pressure

LMP 120/122/123 length: 1 - 2 - 3 - 4

- Working pressure: 80 bar (8 MPa)
- Test pressure: 120 bar (12 MPa)
- Burst pressure: 380 bar (38 MPa)
- Pulse pressure fatigue test: 1.000.000 cycles with pressure from 0 to 80 bar (8 MPa)

Temperature

- From -25 °C to +110 °C

Bypass valve

- Opening pressure 3.5 bar ±10%
- Other opening pressures on request.

Δp Elements type

- Series N and W elements: 20 bar
- Oil flow from exterior to interior.

Seals

- Standard NBR series A
- Optional FPM series V

Weights (kg)

Length	Weight (kg)
LMP120 - 1	1,9
LMP120 - 2	2,1
LMP120 - 3	2,4
LMP120 - 4	2,9

Volumes (dm³)

Length	Volume (dm ³)
LMP120 - 1	0,75
LMP120 - 2	0,81
LMP120 - 3	1,11
LMP120 - 4	1,53

Compatibility (to ISO 2943)

- Housings compatible with:
 - Mineral oils, synthetic fluids.
 - Aqueous emulsions, water and glycol (series W required).
- The filter elements are compatible with:
 - Mineral oils, synthetic fluids.
 - Aqueous emulsions, water and glycol (series W required).
- NBR seals series A, compatible with:
 - Mineral oils, synthetic fluids,
 - aqueous emulsions and water and glycol.
- FPM seals series V, compatible with:
 - Synthetic fluids type HS-HFDR-HFDS-HFUD

Recommended maximum flow rate => see page 35

Filter Element Area

Filter element in stainless steel mesh

Type	Length			
	1	2	3	4
CU 110	1302	1764	2464	3864

Values expressed in cm²

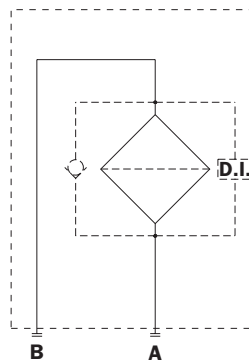
LMP 120



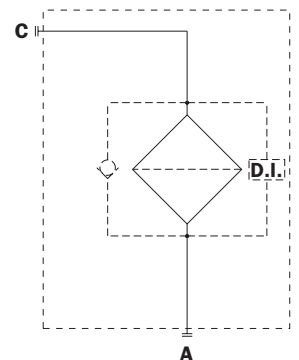
LMP 122



Style
LMP 120



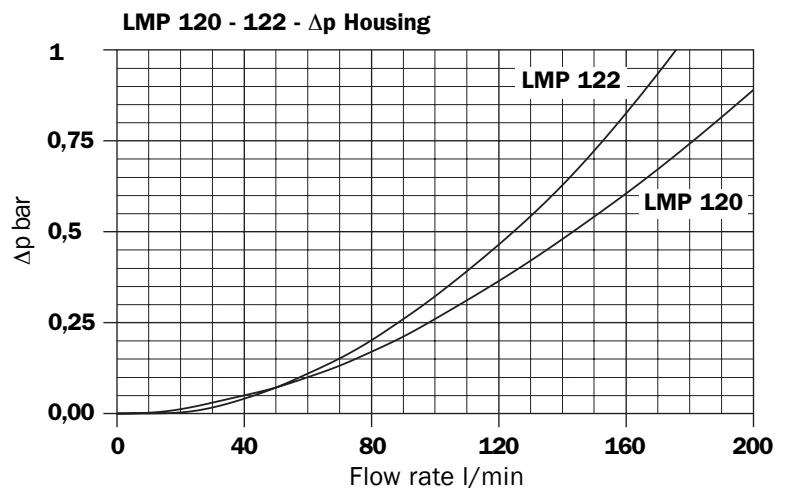
Style
LMP 122



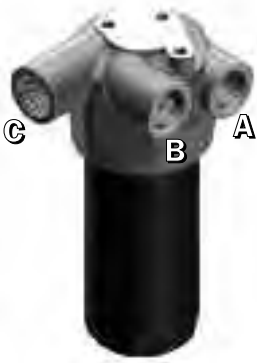
Filter housings Δp pressure drop

The curves are plotted utilising mineral oil with density of 0.86 kg/dm³ to ISO 3968.

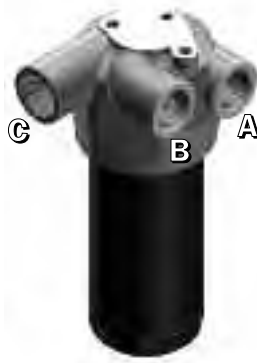
Δp varies proportionally with density.



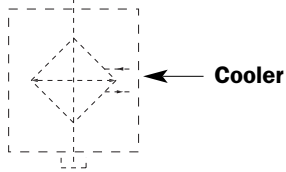
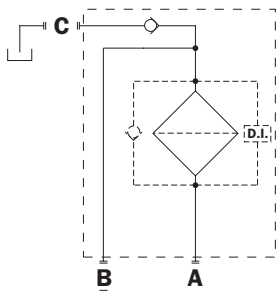
**LMP 123
Type 1**



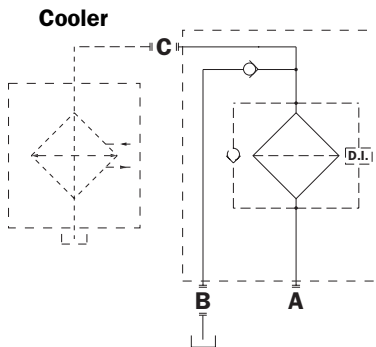
**LMP 123
Type 2**



Style
**LMP 123
Type 1**

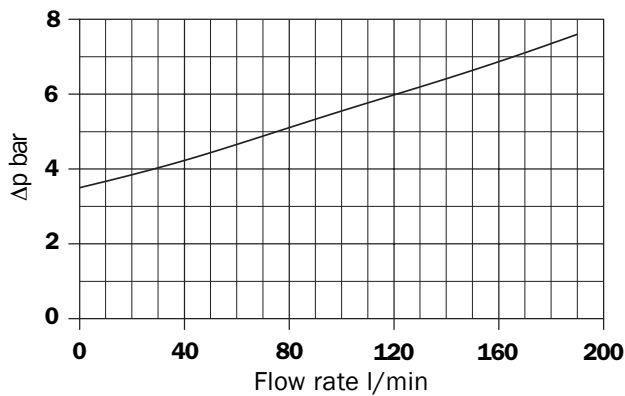


Style
**LMP 123
Type 2**



Valves

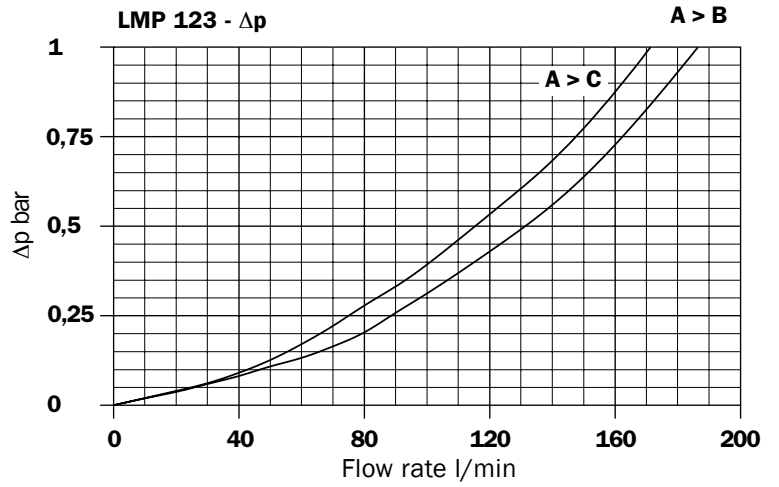
**Bypass valve pressure drop
LMP 120/LMP 123**



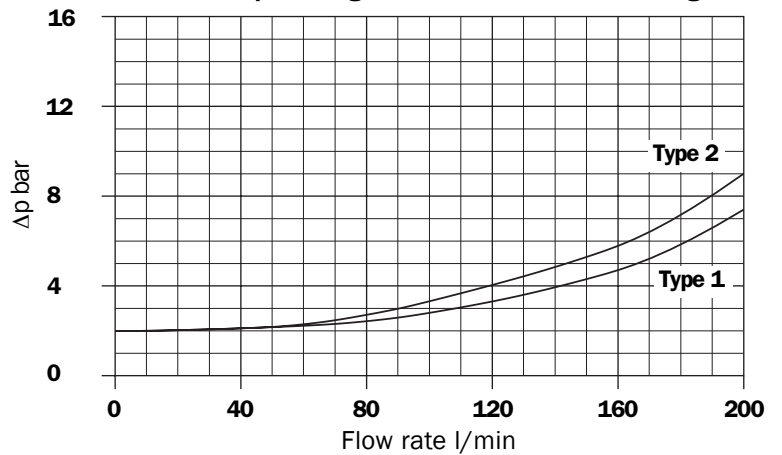
Filter housings Δp pressure drop

The curves are plotted utilising mineral oil with density of 0.86 kg/dm³ to ISO 3968.

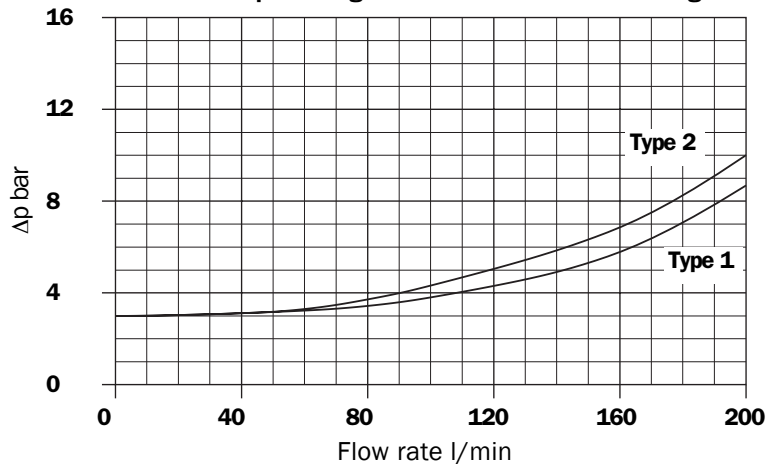
Δp varies proportionally with density.



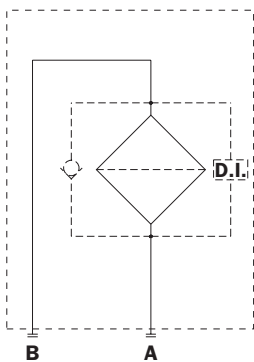
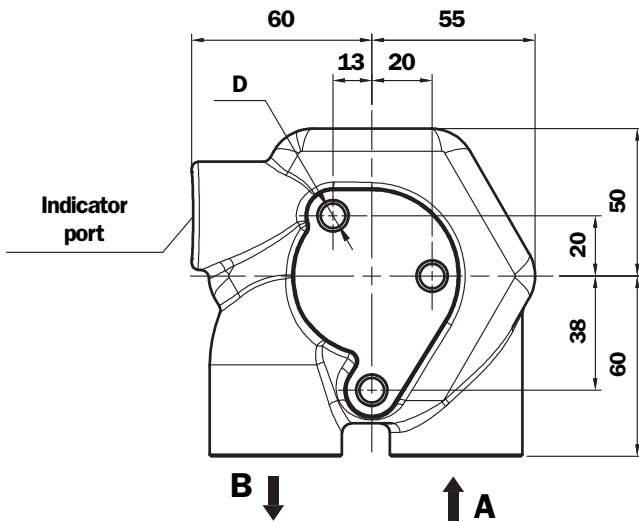
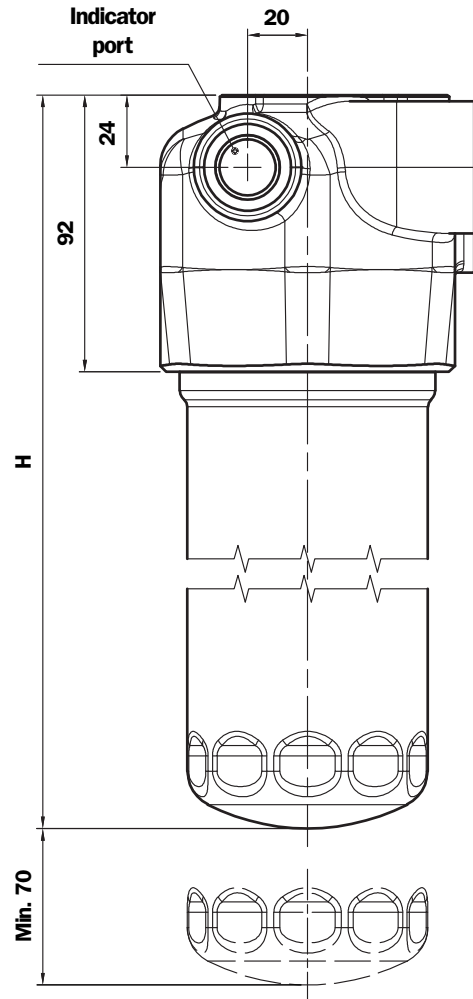
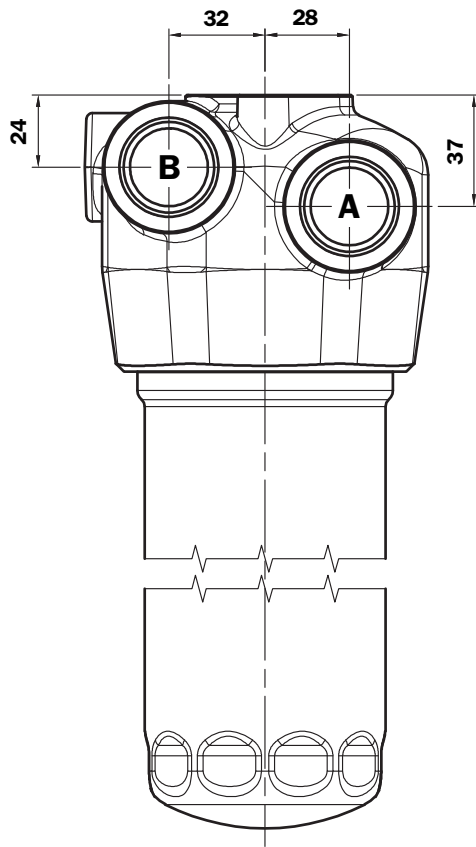
LMP 123 - Δp Housing with check valve 2 bar setting



LMP 123 - Δp Housing with check valve 3 bar setting



LMP 120

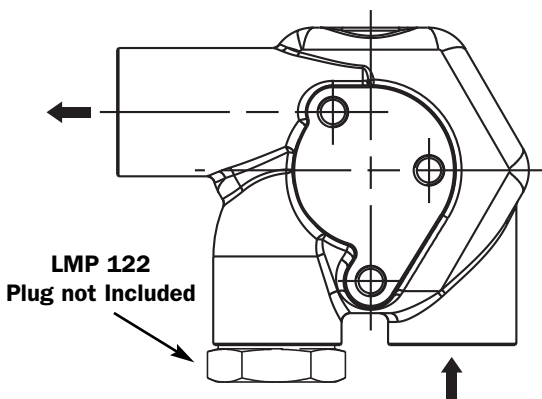
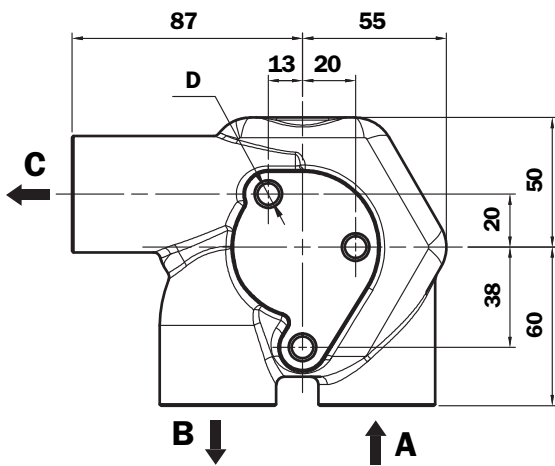
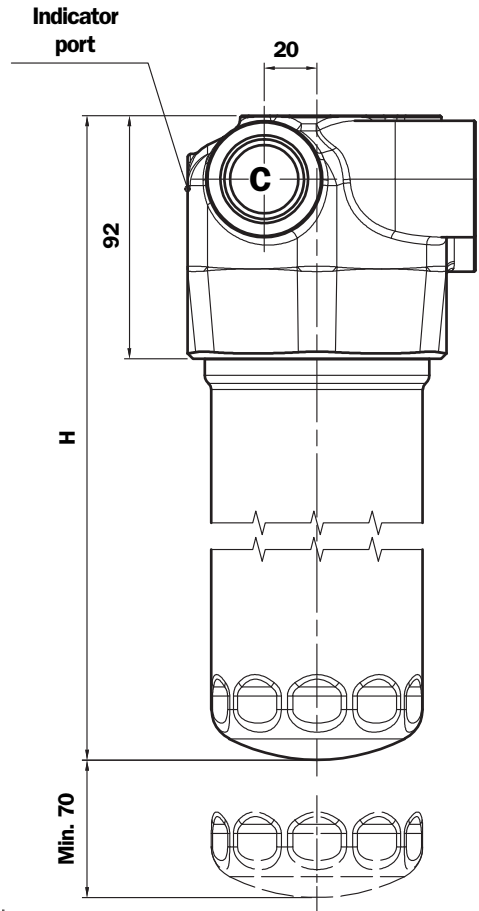
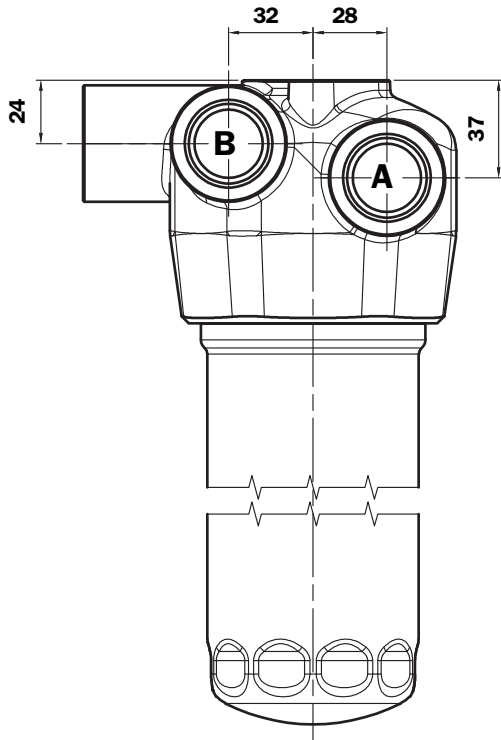


LMP 120

Length Filter	H mm
1	182
2	215
3	265
4	365

St.	Connections A - B	Fixing holes D
A	G 3/4"	M10 x depth 12 mm
B	G 1"	M10 x depth 12 mm
C	3/4" NPT	3/8" UNC x depth 12 mm
D	1" NPT	3/8" UNC x depth 12 mm
E	SAE 12	3/8" UNC x depth 12 mm
F	SAE 16	3/8" UNC x depth 12 mm

LMP 122 - 123

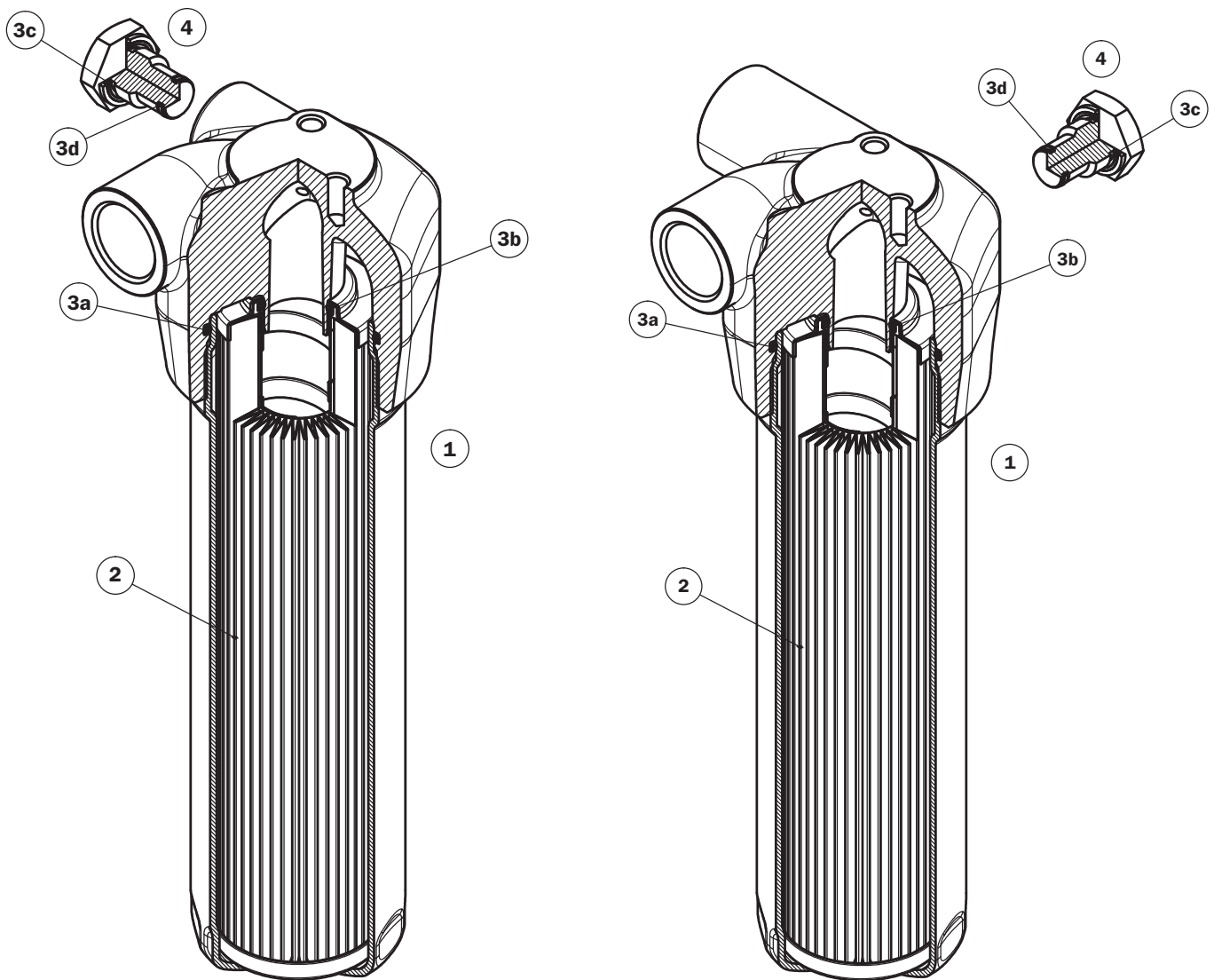


LMP 122 - 123

Length Filter	H mm
1	182
2	215
3	265
4	365

St.	Connection A - B - C	Fixing holes D
B	G 1"	M10 x depth 12 mm
D	1" NPT	3/8" UNC x depth 12 mm
F	SAE 16	3/8" UNC x depth 12 mm

Spare parts



Item	Description	Q.ty	FILTER Series LMP 120 - 122 - 123	
1	Filter assembly	1	See order table	
2	Filter element	1	See order table	
3	Seals Kit	1	NBR 02050478	FPM 02050479
3a	O-Ring for housing	1	O-R 4312 Ø 78,97 x 3,53	
3b	O-Ring for filter element	1	O-R 4125 Ø 31,34 x 3,53	
3c	Seal for indicator	1	NBR 01030058	FPM 01030046
3d	O-Ring for indicator	1	O-R 2050 Ø 12,42 x 1,78	
4	Indicator connection plug	1	T2H	T2V
-	Indicators	1	See order table	

Ordering information LMP 120 - 122

Filter assembly

LMP

Example: LMP

1	2	3	4	5	6	7	8	9
<input type="checkbox"/>	<input type="checkbox"/>	<input type="checkbox"/>	<input type="checkbox"/>	<input type="checkbox"/>	<input type="checkbox"/>	<input type="checkbox"/>	<input type="checkbox"/>	<input type="checkbox"/>
122	2	B	A	B	2	A10	N	P01

Filter element

CU110

Example: CU110

2	7	4	8	9
<input type="checkbox"/>	<input type="checkbox"/>	<input type="checkbox"/>	<input type="checkbox"/>	<input type="checkbox"/>
2	A10	A	N	P01

1 - Style

Filter

- 120**
- 122**

Filter element

- 110**
- 110**

2 - Filter length

- 1**
- 2**
- 3**
- 4**

3 - Valve

- S** Without by-pass
- B** With bypass
- With by-pass
Opening pressure: on request

4 - Filter seals

- A** NBR
- V** FPM
- W** NBR (Compatible with fluid HFA, HFB, HFC)
- On request

5 - Connection

Type	MULTIPOINT
A	G 3/4" (not for LMP 122)
B	G 1"
C	3/4" NPT (not for LMP 122)
D	1" NPT
E	SAE 12 (not for LMP 122)
F	SAE 16

6 - Indicator port

- 1** Without indicator port
- 2** With indicator port

7 - Filter element

- A01** Inorganic microfibre* 1 μ
 - A03** Inorganic microfibre 3 μ
 - A06** Inorganic microfibre 6 μ
 - A10** Inorganic microfibre 10 μ
 - A16** Inorganic microfibre 16 μ
 - A25** Inorganic microfibre 25 μ
- } Absolute filtration
 $\beta_x(c) \geq 1000$

* On request

- M25** Wire mesh
 - M60** Wire mesh
 - M90** Wire mesh
- } Nominal Filtration

- P10** Resin impregnated paper
 - P25** Resin impregnated paper
- } Nominal Filtration

8 - Max filter element differential pressure

- N** Δp 20 bar

9 - Option

- P01** MP Filtri standard
- Pxx** On request

DIFFERENTIAL INDICATORS (see page 120)

MP Filtri - The filter functions as described in this bulletin are valid exclusively for original MP Filtri filter elements and replacement parts. All rights reserved

The data in this publication are purely guideline. MP Filtri reserves the right to make changes to the models described herein at any time it deems fit in relation to technical or commercial requirements. The colours of the products shown on the cover are purely guideline. Copyright. All rights reserved.

Ordering information LMP 123

Filter assembly LMP

Example: LMP

1	2	3	4	5	6	7	8	9
<input type="checkbox"/>	<input type="checkbox"/>	<input type="checkbox"/>	<input type="checkbox"/>	<input type="checkbox"/>	<input type="checkbox"/>	<input type="checkbox"/>	<input type="checkbox"/>	<input type="checkbox"/>
123	2	C	A	B	2	A10	N	P01

Filter element CU110

Example: CU110

2	7	4	8	9
<input type="checkbox"/>	<input type="checkbox"/>	<input type="checkbox"/>	<input type="checkbox"/>	<input type="checkbox"/>
2	A10	A	N	P01

1 - Style

Filter

123

Filter element

110

2 - Filter length

- 1**
- 2**
- 3**
- 4**

3 - Valves

Type 1 - Without bypass

- C** Check valve 2 bar
- D** Check valve 3 bar

Type 2 - Without bypass

- G** Check valve 2 bar
- H** Check valve 3 bar

Type 1 - With bypass

- M** Check valve 2 bar
- N** Check valve 3 bar

Type 2 - With bypass

- Q** Check valve 2 bar
- R** Check valve 3 bar

4 - Filter seals

- A** NBR
- V** FPM
- W** NBR (Compatible with fluid HFA, HFB, HFC)
- On request

5 - Connection

Type	MULTIPORT
B	G 1"
F	SAE 16

6 - Indicator port

- 1** Without indicator port
- 2** With indicator port

7 - Filter element

A01	Inorganic microfibre* 1 µ	} Absolute filtration βx (c) ≥ 1000
A03	Inorganic microfibre 3 µ	
A06	Inorganic microfibre 6 µ	
A10	Inorganic microfibre 10 µ	
A16	Inorganic microfibre 16 µ	
A25	Inorganic microfibre 25 µ	

* On request

M25	Wire mesh	} Nominal Filtration
M60	Wire mesh	
M90	Wire mesh	
P10	Resin impregnated paper	} Nominal Filtration
P25	Resin impregnated paper	

8 - Max filter element differential pressure

- N** Δp 20 bar

9 - Option

- P01** MP Filtri standard
- Pxx** On request

DIFFERENTIAL INDICATORS (see page 120)

MP Filtri - The filter functions as described in this bulletin are valid exclusively for original MP Filtri filter elements and replacement parts. All rights reserved

The data in this publication are purely guideline. MP Filtri reserves the right to make changes to the models described herein at any time it deems fit in relation to technical or commercial requirements. The colours of the products shown on the cover are purely guideline. Copyright. All rights reserved.

LMP 124



In-Line Suction and Return Filter



Maximum pressure 80 bar
Flow rates to 160 l/min

Filter housing (Materials)

- Head: Aluminium
- Housing: Cataphoresis Painting
- Bypass valve: Brass - Aluminium

Pressure

LMP 124 length: 1 - 2 - 3 - 4

- Working pressure: 80 bar (8 MPa)
- Test pressure: 120 bar (12 MPa)
- Burst pressure: 380 bar (38 MPa)
- Pulse pressure fatigue test: 1.000.000 cycles with pressure from 0 to 80 bar (8 MPa)

Temperature

- From -25 °C to +110 °C

Bypass valve

- Opening pressure 2.5 bar \pm 10%
- Other opening pressures on request.

Δp Elements type

- Series N and W elements: 20 bar
- Oil flow from exterior to interior.

Seals

- Standard NBR series A
- Optional FPM series V

Weights (kg)

length

- LMP124 - 1 1,7
- LMP124 - 2 1,9
- LMP124 - 3 2,2
- LMP124 - 4 2,7

Volumes (dm³)

length

- LMP124 - 1 0,75
- LMP124 - 2 0,81
- LMP124 - 3 1,11
- LMP124 - 4 1,53

Compatibility (to ISO 2943)

- Housings compatible with: Mineral oils, synthetic fluids. Aqueous emulsions, water and glycol (series W required).
- The filter elements are compatible with: Mineral oils, synthetic fluids. Aqueous emulsions, water and glycol (series W required).
- NBR seals series A, compatible with: Mineral oils, synthetic fluids, aqueous emulsions and water and glycol.
- FPM seals series V, compatible with: Synthetic fluids type HS-HFDR-HFDS-HFDU

Filter Element Area

Filter element in stainless steel mesh

Type	Length			
	1	2	3	4
CU 110	1302	1764	2464	3864
Values expressed in cm ²				

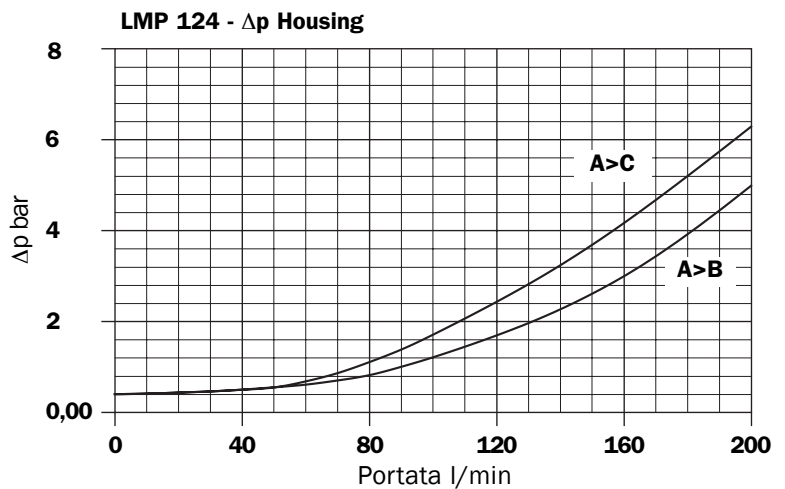
LMP 124



Filter housings Δp pressure drop

The curves are plotted utilising mineral oil with density of 0.86 kg/dm³ to ISO 3968.

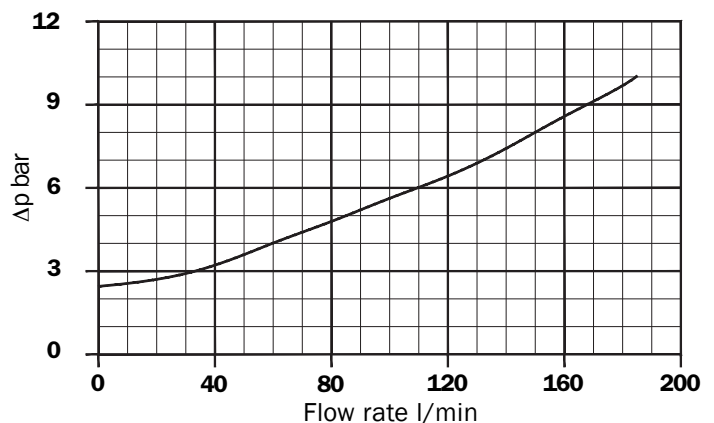
Δp varies proportionally with density.



Valves

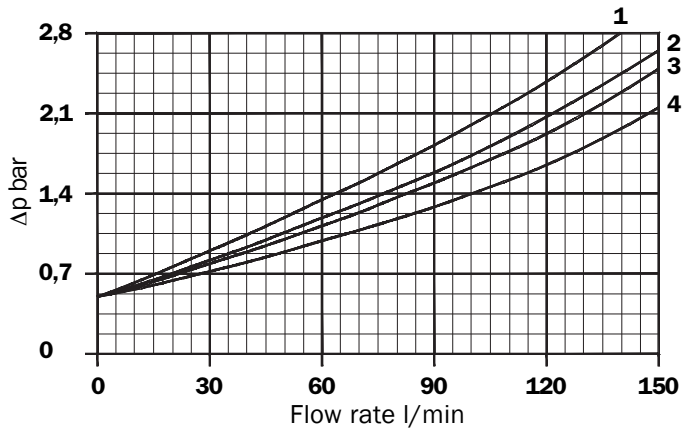
Bypass valve pressure drop

LMP 124

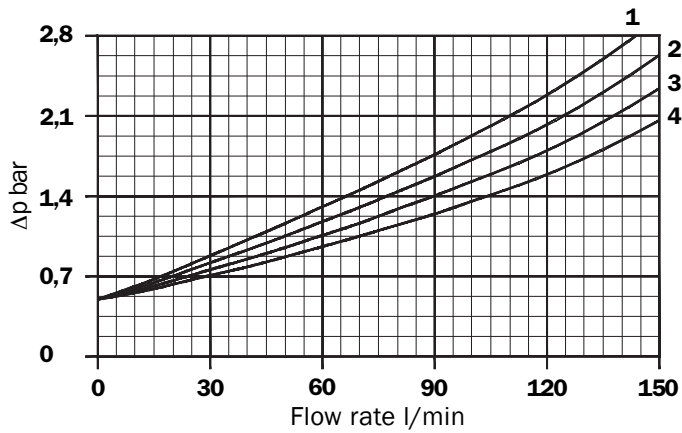


Style C - D - E - F

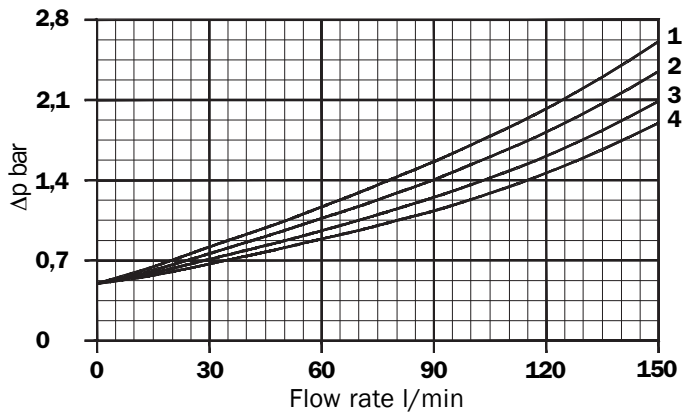
Absolute filtration A10



Absolute filtration A16

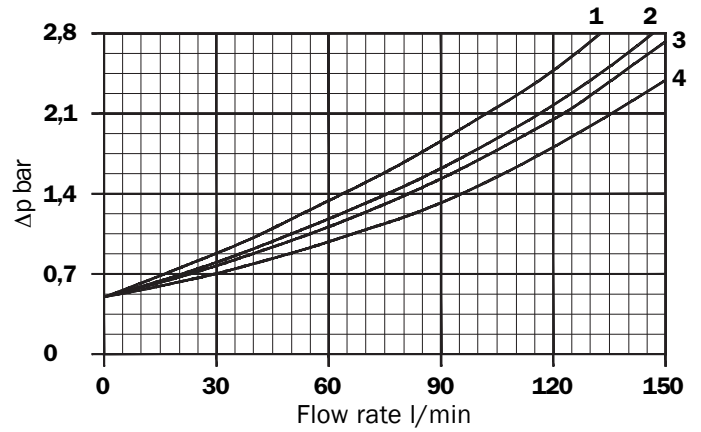


Absolute filtration A25

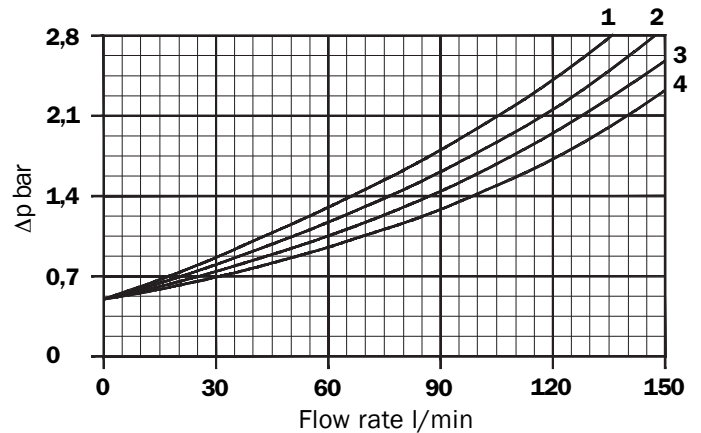


Style G - H

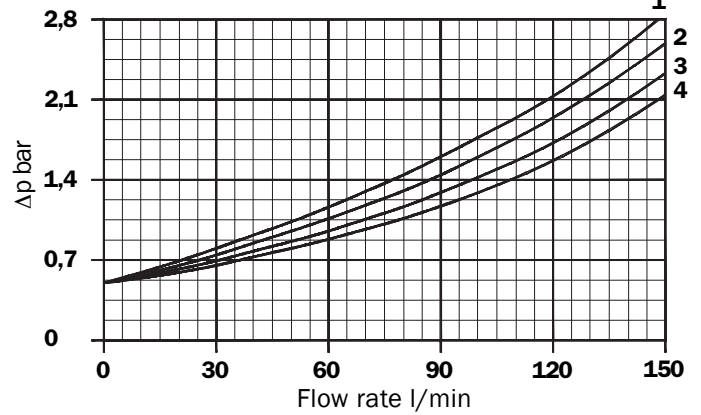
Absolute filtration A10



Absolute filtration A16



Absolute filtration A25

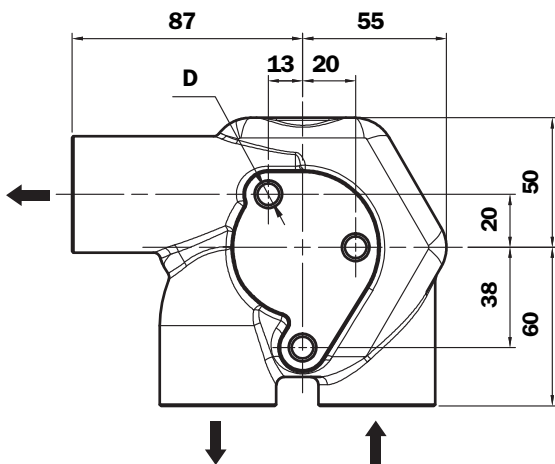
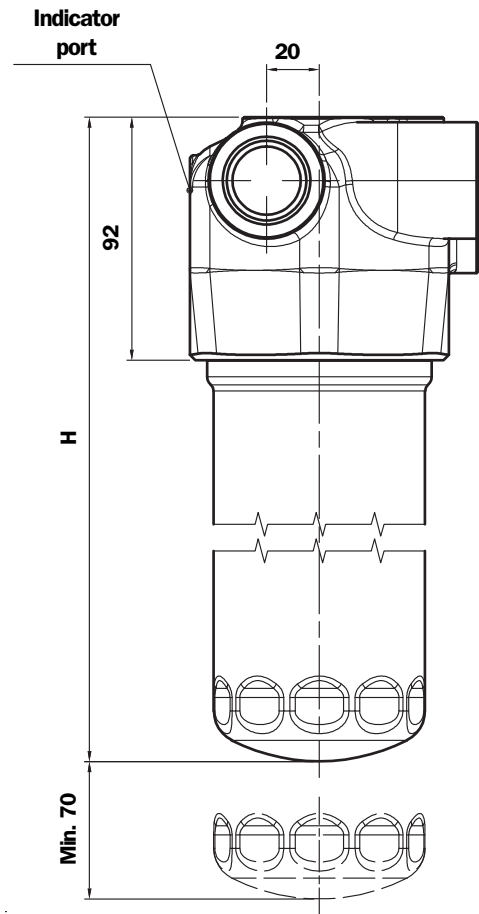
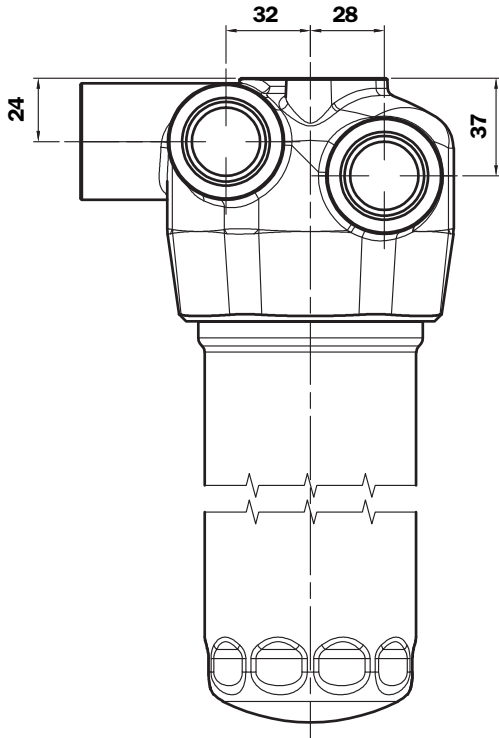


Filter length

- 1
- 2
- 3
- 4

Dimensions

LMP 124

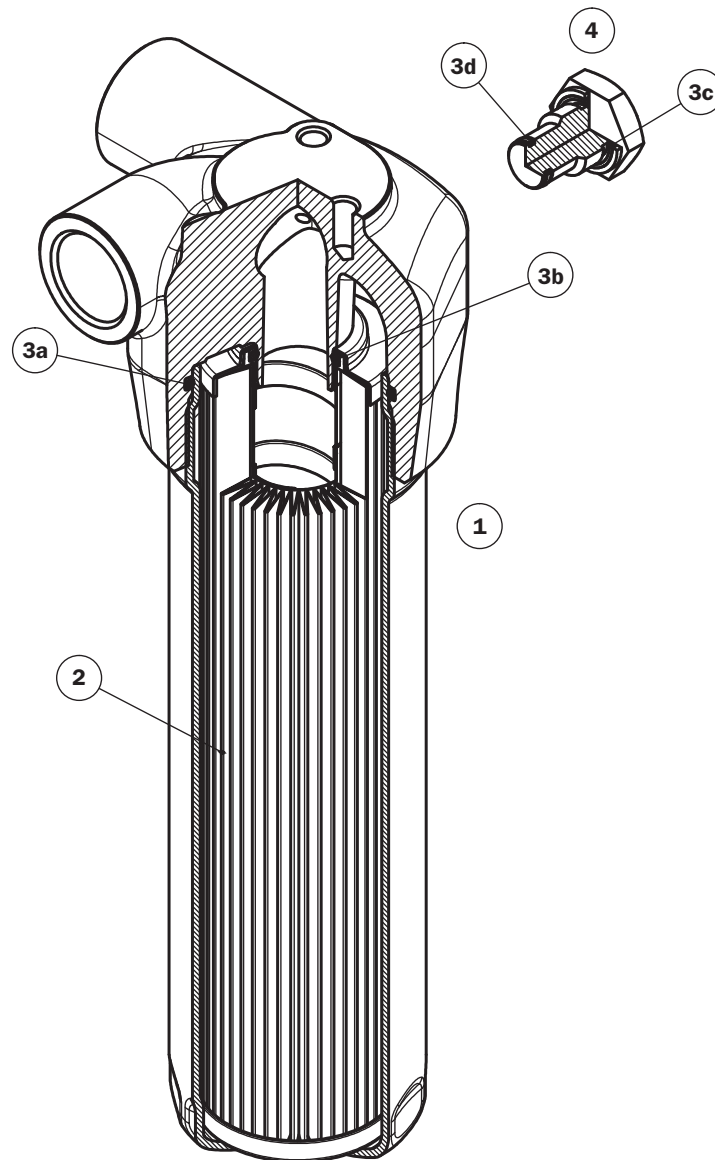


LMP 124

Length Filter	H mm
1	182
2	215
3	265
4	365

St.	Connection A - B - C	Fixing holes D
B	G 1"	M10 x depth 12 mm
F	SAE 16	3/8" UNC x depth 12 mm

Spare parts



Item	Description	Q.ty	FILTER Series LMP 124	
1	Filter assembly	1	See order table	
2	Filter element	1	See order table	
3	Seals Kit	1	NBR 02050478	FPM 02050479
3a	O-Ring for housing	1	O-R 4312 Ø 78,97 x 3,53	
3b	O-Ring for filter element	1	O-R 4125 Ø 31,34 x 3,53	
3c	Seal for indicator	1	NBR 01030058	FPM 01030046
3d	O-Ring for indicator	1	O-R 2050 Ø 12,42 x 1,78	
4	Indicator connection plug	1	T2H	T2V
-	Indicators	1	See order table	

LMP 124
Style C - D - E - F

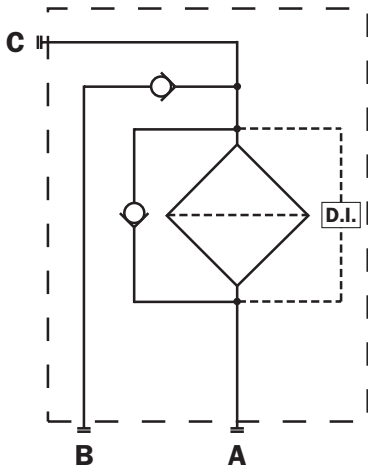


LMP 124
Style G - H

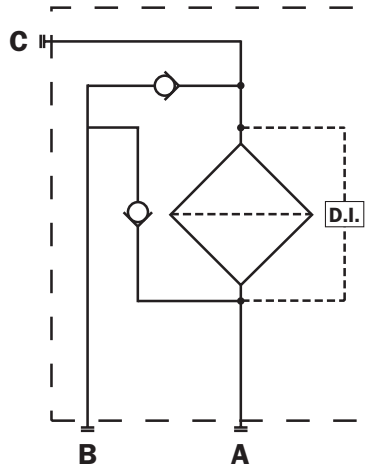


Symbols

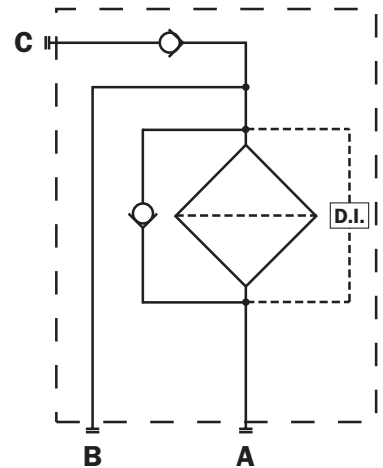
Style C
LMP 124



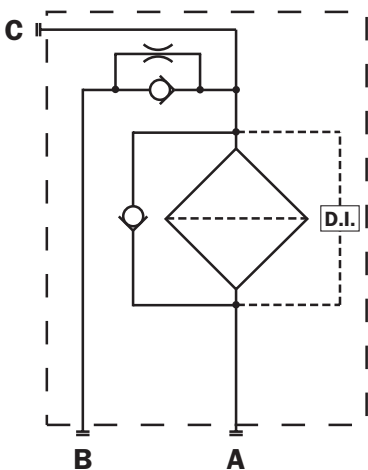
Style E
LMP 124



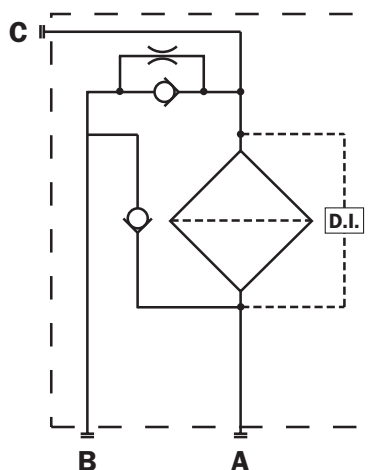
Style G
LMP 124



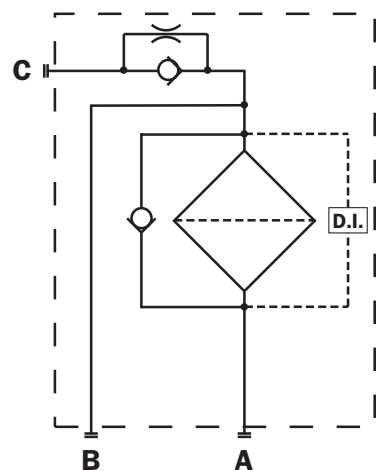
Style D
LMP 124



Style F
LMP 124



Style H
LMP 124



Ordering information LMP 124

Filter assembly **LMP**

Example: LMP

1	2	3	4	5	6	7	8	9
<input type="checkbox"/>	<input type="checkbox"/>	<input type="checkbox"/>	<input type="checkbox"/>	<input type="checkbox"/>	<input type="checkbox"/>	<input type="checkbox"/>	<input type="checkbox"/>	<input type="checkbox"/>
124	2	C	A	B	2	A10	N	P01

Filter element **CU110**

Example: CU110

2	7	4	8	9
<input type="checkbox"/>	<input type="checkbox"/>	<input type="checkbox"/>	<input type="checkbox"/>	<input type="checkbox"/>
2	A10	A	N	P01

1 - Style

Filter

124

Filter element

110

2 - Filter length

- 1**
- 2**
- 3**
- 4**

3 - Valves

- C**
- D**
- E**
- F**
- G**
- H**

see "SYMBOLS" (ref. to page 32)

4 - Filter seals

- A** NBR
- V** FPM
- W** NBR (Compatible with fluid HFA, HFB, HFC)
- On request

5 - Connection

Type	MULTIPOINT
B	G 1"
F	SAE 16

6 - Indicator port

- 1** No
- 2** Port G 1/8" switch
For pressure switch
- 3** Port G 1/4"
For pressure switch
- 4** Differential indicator port

7 - Filter element

- A10** Inorganic microfibre 10 μ
 - A16** Inorganic microfibre 16 μ
 - A25** Inorganic microfibre 25 μ
- Absolute filtration
 $\beta_x(c) \geq 1000$

8 - Max filter element differential pressure

- N** Δp 20 bar

9 - Option

- P01** MP Filtri standard
- Pxx** Customer request

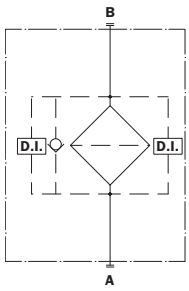
DIFFERENTIAL INDICATORS (see page 120)

MP Filtri - The filter functions as described in this bulletin are valid exclusively for original MP Filtri filter elements and replacement parts. All rights reserved

The data in this publication are purely guideline. MP Filtri reserves the right to make changes to the models described herein at any time it deems fit in relation to technical or commercial requirements. The colours of the products shown on the cover are purely guideline. Copyright. All rights reserved.

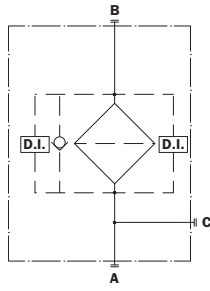
Symbols "MULTIPOINT"

Style
LMP 110



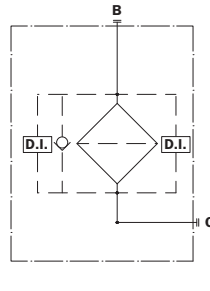
In-Line filter

Style
LMP 112



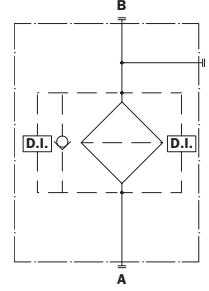
In-Line filter
Double IN port

Style
LMP 112



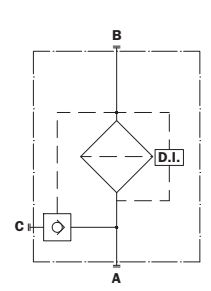
In-Line filter
Lateral IN port

Style
LMP 116



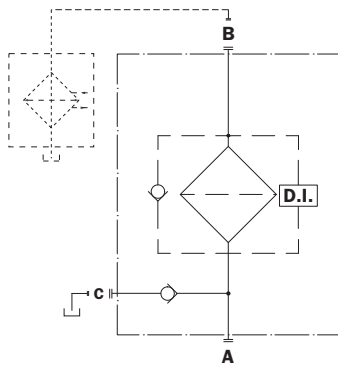
In-Line filter
Lateral OUT port

Style
LMP 118



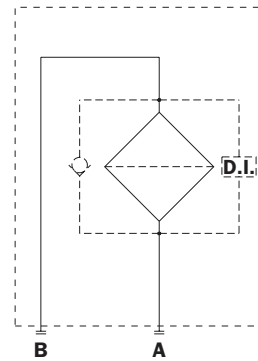
In-Line filter
Bypass lateral.
Always cleaning fluid in OUT port

Style
LMP 119



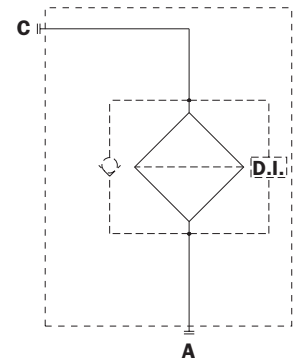
In-Line filter
Safety valve 6 bar
for heat exchanger

Style
LMP 120



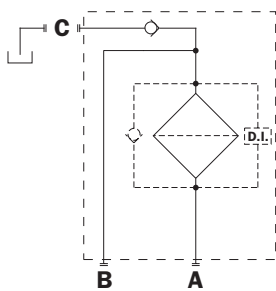
In-Line filter
Port IN-OUT on the
same side

Style
LMP 122



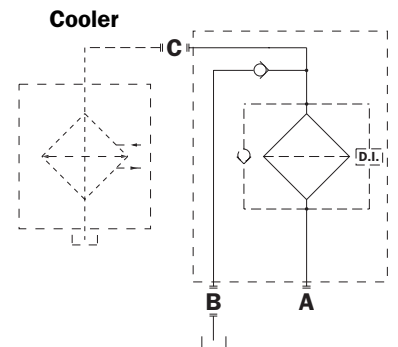
In-Line filter
Lateral OUT port
high flow

Style
**LMP 123
Type 1**



In-Line filter
Bypass valve for heat
exchanger high flow

Style
**LMP 123
Type 2**



Cooler

Recommended maximum flow rate "MULTIPOINT"

Recommended maximum flow rate

- Pressure drop of filter assembly equal to Δp 0.7 bar.
- Oil kinematic viscosity 30 mm²/s (cSt).
- Density 0.86 kg/dm³.

Filtration

	Length	A03	A06	A10	A16	A25	P10	P25	M25
LMP 110 - 119	1	40	42	63	68	83	114	153	111
	2	49	57	80	82	97	130	155	128
	3	45	69	88	98	118	135	158	133
	4	66	98	112	117	136	140	160	140

Flow rate l/min

Filtration

	Length	A03	A06	A10	A16	A25	P10	P25	M25
LMP 112	1	36	37	55	57	65	85	112	83
	2	43	49	65	67	75	94	114	93
	3	54	58	70	76	87	96	115	95
	4	66	76	87	88	96	98	115	98

Flow rate l/min

Filtration

	Length	A03	A06	A10	A16	A25	P10	P25	M25
LMP 116	1	36	37	53	56	64	80	95	77
	2	43	47	64	65	72	87	96	86
	3	55	56	67	73	83	89	97	88
	4	63	72	79	83	87	92	98	90

Flow rate l/min

Filtration

	Length	A03	A06	A10	A16	A25	P10	P25	M25
LMP 120	1	39	42	66	69	87	129	187	126
	2	48	57	86	88	108	153	187	150
	3	67	72	97	110	136	161	188	158
	4	88	108	128	135	162	170	190	168

Flow rate l/min

Filtration

	Length	A03	A06	A10	A16	A25	P10	P25	M25
LMP 122	1	42	44	70	74	92	137	205	132
	2	52	61	90	91	115	163	205	159
	3	72	77	100	113	141	173	208	169
	4	93	113	133	143	172	180	215	178

Flow rate l/min