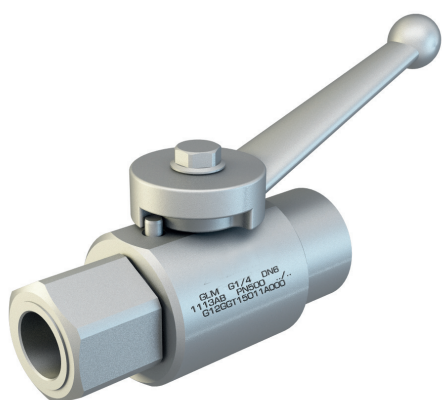



# + GLM

## 2-WAY HIGH PRESSURE BALL VALVES




GLM

### CARBON STEEL

- Type: ball valve GLM 2 way 
- Body: round
- Material: 1,0737
- Ball seats: from DN4 up to DN6
- O-Rings: NBR, FKM, EPDM, MVQ
- Operating pressure: 500 Bar depending on valve size and seal materials selected
- Temp range: -20°C to +100°C depending on seal material selected

GLM	G 1/4		DN6		1	1	1	1	A	B		
Type and way of valve	GAS DIN/ISO 228 BSP	NPT ANSI/ASME B1.20.1	SAE J1926-1	DIN 2353 HEAVY SERIES	DIN 2353 LIGHT SERIES	Nominal dimension	Body material	Adapter material	Stem material	Ball material	Ball seat material	Adapter and stem seal material
GLM 2-way	G 1/4	N 1/4	SAE4	8S 10S	6L 8L	DN4 DN6	1 1,0737	1 1,0737	1 1,0737	1 1,0737	A POM D PEEK G PA612 K GLMPTFE C PTFE	B NBR E FKM F EPDM L MVQ

### STAINLESS STEEL

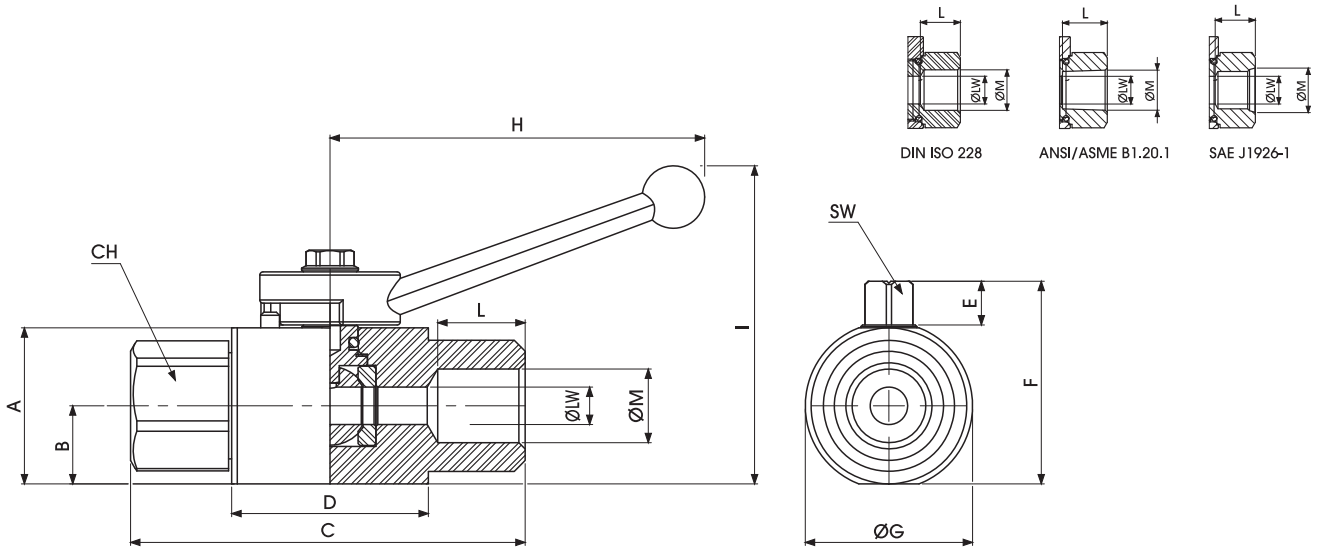
- Type: ball valve GLM 2 way 
- Body: round
- Material: 1,4305
- Ball seats: from DN4 up to DN6
- O-Rings: NBR, FKM, EPDM, MVQ
- Operating pressure: 500 Bar depending on valve size and seal materials selected
- Temp range: -60°C to +230°C depending on seal material selected

GLM	G 1/4		DN6		3	3	3	3	A	B		
Type and way of valve	GAS DIN/ISO 228 BSP	NPT ANSI/ASME B1.20.1	SAE J1926-1	DIN 2353 HEAVY SERIES	DIN 2353 LIGHT SERIES	Nominal dimension	Body material	Adapter material	Stem material	Ball material	Ball seat material	Adapter and stem seal material
GLM 2-way	G 1/4	N 1/4	SAE4	8S 10S	6L 8L	DN4 DN6	3 1,4305	3 1,4305	3 1,4305	3 1,4305	A POM D PEEK G PA612 K GLMPTFE C PTFE	B NBR E FKM F EPDM L MVQ



# 2-WAY HIGH PRESSURE BALL VALVES

Specialist in Ball Valves



## GLM DIN/ISO 228 BSP

Standard

TYPE	PN	DN	A	B	C	D	E	F	ØG	H	I	L	ØM	CH	SW	ØLW	KG	CARBON STEEL	STAINLESS STEEL
																		ITEM CODE	ITEM CODE
GLM G 1/4	50 MPa	6	25	12,5	63	31,5	7	32,5	26,8	60	51	14	G 1/4	19	6	6	0,195	G12GGT15011A000	G12GGT15033A000

## GLM ANSI/ASME B1.20.1 NPT

Standard

TYPE	PN	DN	A	B	C	D	E	F	ØG	H	I	L	ØM	CH	SW	ØLW	KG	CARBON STEEL	STAINLESS STEEL
																		ITEM CODE	ITEM CODE
GLM N 1/4	50 MPa	6	25	12,5	63	31,5	7	32,5	26,8	60	51	14	N 1/4	19	6	6	0,195	G12NNT15011A000	G12NNT15033A000

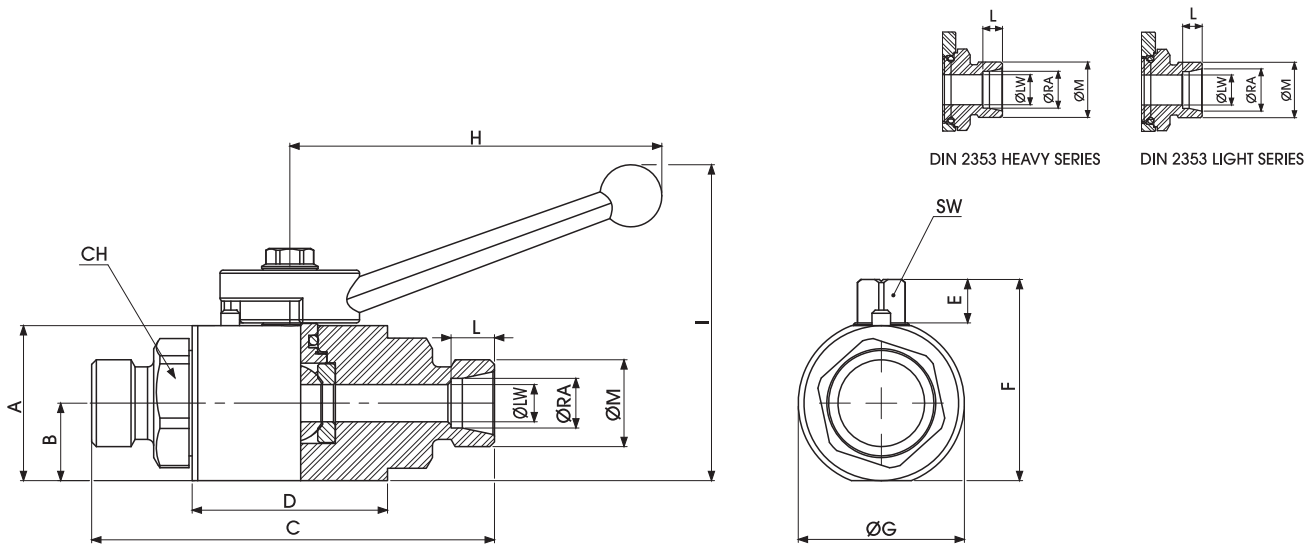
## GLM SAE J1926-1

Standard

TYPE	PN	DN	A	B	C	D	E	F	ØG	H	I	L	ØM	CH	SW	ØLW	KG	CARBON STEEL	STAINLESS STEEL
																		ITEM CODE	ITEM CODE
GLM SAE4	50 MPa	6	25	12,5	63	31,5	7	32,5	26,8	60	51	14	7/16-20 UNF	19	6	6	0,195	G12EEE05011A000	G12EEE05033A000

# + GLM 2-WAY HIGH PRESSURE BALL VALVES

www.gemels.it



## GLM DIN 2353 HEAVY SERIES

Standard

TYPE	PN	DN	A	B	C	D	E	F	ØG	H	I	L	ØM	CH	SW	ØLW	ØRA	KG	CARBON STEEL	STAINLESS STEEL
																			ITEM CODE	ITEM CODE
GLM 8S	50 MPa	6	25	12,5	65	31,5	7	32,5	26,8	60	51	7	16X1.5	19	6	6	8	0,195	G12DDS05011A000	G12DDS05033A000
GLM 10S	50 MPa	6	25	12,5	65	31,5	7	32,5	26,8	60	51	7	18X1.5	19	6	6	10	0,195	G12DDS15011A000	G12DDS15033A000

## GLM DIN 2353 LIGHT SERIES

Standard

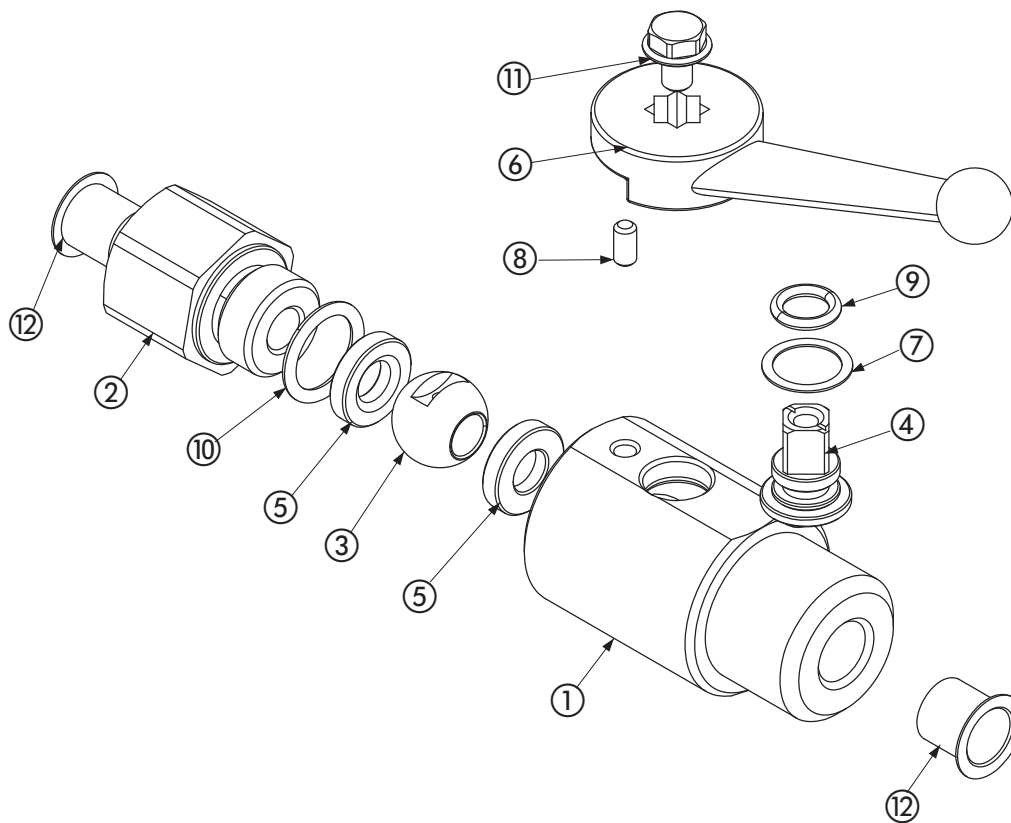
TYPE	PN	DN	A	B	C	D	E	F	ØG	H	I	L	ØM	CH	SW	ØLW	ØRA	KG	CARBON STEEL	STAINLESS STEEL
																			ITEM CODE	ITEM CODE
GLM 6L	50 MPa	6	25	12,5	65	31,5	7	32,5	26,8	60	51	7	M12X1.5	19	6	6	6	0,185	G12DDL05011A000	G12DDL05033A000
GLM 8L	50 MPa	6	25	12,5	65	31,5	7	32,5	26,8	60	51	7	M14X 1.5	19	6	6	8	0,185	G12DDL15011A000	G12DDL15033A000

# + GLM

## 2-WAY HIGH PRESSURE BALL VALVES

www.gemels.it

2014 - Edition 2



### Carbon steel

Pos	Description	Material	Q.tà
1	Body	1,0737	1
2	Adapter	1,0737	1
3	Ball	1,0737	1
4	Stem	1,0737	1
5	Ball seat	POM	2
6	Handle	ZINC	1
7	Stem ring	POM	1
8	Spine	1,0737	1
9	Stem o-ring	NBR	1
10	Adapter o-ring	NBR	2
11	Screw	DIN 6921 8.8	1
12	Caps	PVC	2

### On request

- Reduced bore
- O-Ring in FKM, EPDM, HNBR, KALREZ
- Seals in PTFE, PEEK, PA612, GLMPTFE, METAL TO METAL
- Special threads
- Stem in stainless steel 1,4404
- Ball in stainless steel 1,4404
- Pressure class up to PN50 Mpa
- Locking device

For further special requests please consult our technical/commercial service

### Stainless steel

Pos	Description	Material	Q.tà
1	Body	1,4305	1
2	Adapter	1,4305	1
3	Ball	1,4404	1
4	Stem	1,4305	1
5	Ball seat	POM	2
6	Handle	ZINC	1
7	Stem ring	POM	1
8	Spine	1,4301	1
9	Stem o-ring	NBR	1
10	Adapter o-ring	NBR	2
11	Screw	DIN 6921 A2	1
12	Caps	PVC	2

### On request

- Reduced bore
- O-Ring in FKM, EPDM, HNBR, KALREZ
- Seals in PTFE, PEEK, PA612, GLMPTFE, METAL TO METAL
- Special threads
- Pressure class up to PN50 Mpa
- Locking device