

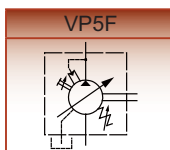


[TCVP-F\_H, VP5F, VP5FD]

※

※

		/	VP5F	VP5FD
TCVP30/VP-A	14 (2030)	30(6.6)	9.5	27
TCVP40/VP-B		40(8.8)		



★VP5F(D)-B (40 L/min) maximum pressure 70bar.

※

VP5F	A	5	50	S
	(AT 3.5 Bar, 1800 r/min) A: 30 (ℓ/min) ★B: 40 (ℓ/min)	★2: 15 bar - 35 bar 3: 20 bar - 70 bar 4: 50 bar - 105 bar 5: 70 bar - 140 bar		/ S:

"★"

TCVP	F30(F40)		
	(AT 3.5 Bar, 1800 r/min) F30 (ℓ/min) ★F40 (ℓ/min)	★H1: 15 bar - 35 bar H2: 20 bar - 70 bar H3: 50 bar - 105 bar H4: 70 bar - 140 bar	02

"★"

※

VP5FD	A	5	A	5	50
	SHAFT END PUMP		COVER END PUMP		
FRAME SIZE FLANGE MOUNTING	OUTLET FLOW (AT 3.5 Bar, 1800 R/MIN) A: 30 (ℓ/min) ★B: 40 (ℓ/min)	OPR. PRES. RANGE ★2: 15 bar - 35 bar 3: 20 bar - 70 bar 4: 50 bar - 105 bar 5: 70 bar - 140 bar	OUTLET FLOW (AT 3.5 Bar, 1800 R/MIN) A: 30 (ℓ/min) ★B: 40 (ℓ/min)	OPR. PRES. RANGE ★2: 15 bar - 35 bar 3: 20 bar - 70 bar 4: 50 bar - 105 bar 5: 70 bar - 140 bar	DESIGN

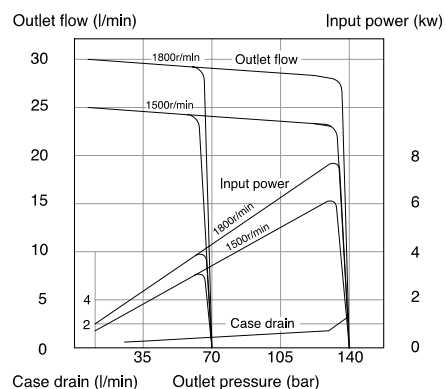
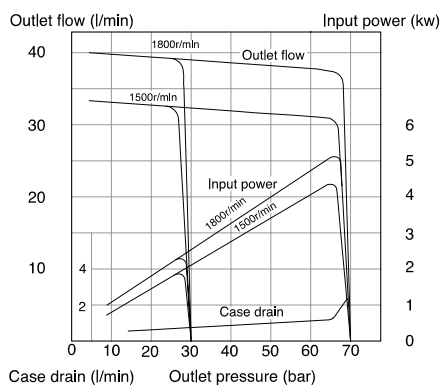
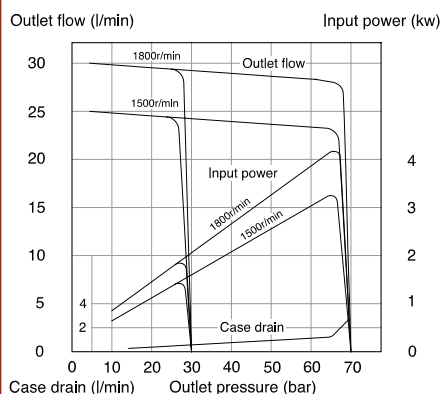
"★"

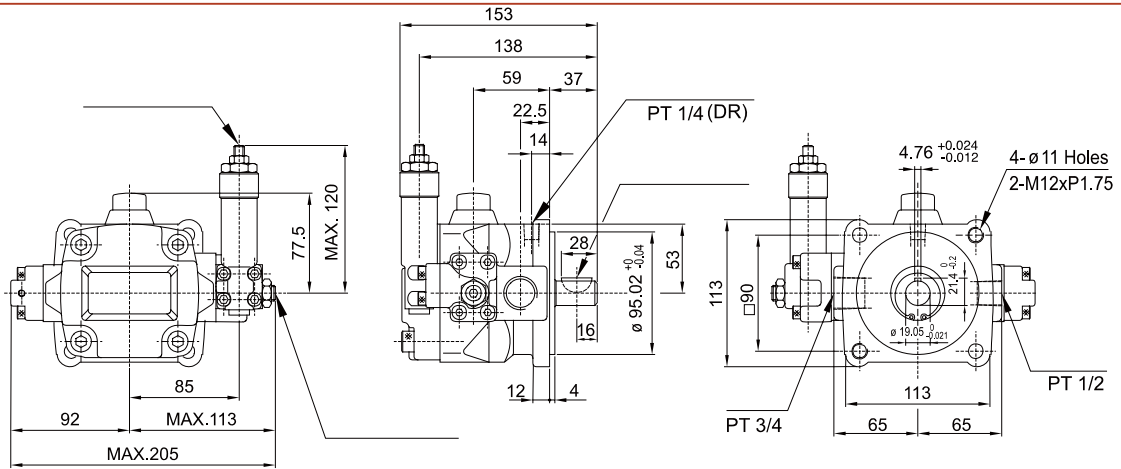
※

VP5F-A3-50

VP5F-A5-50

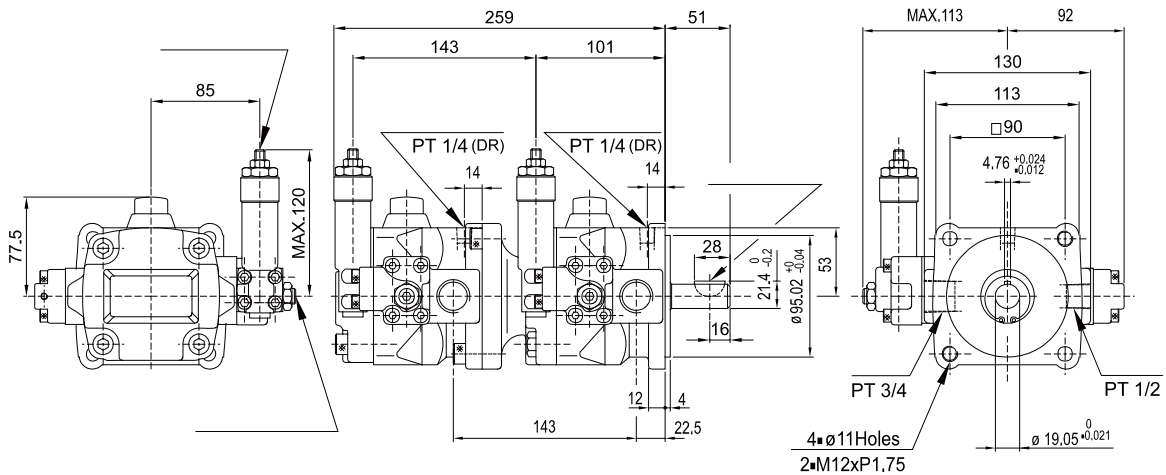
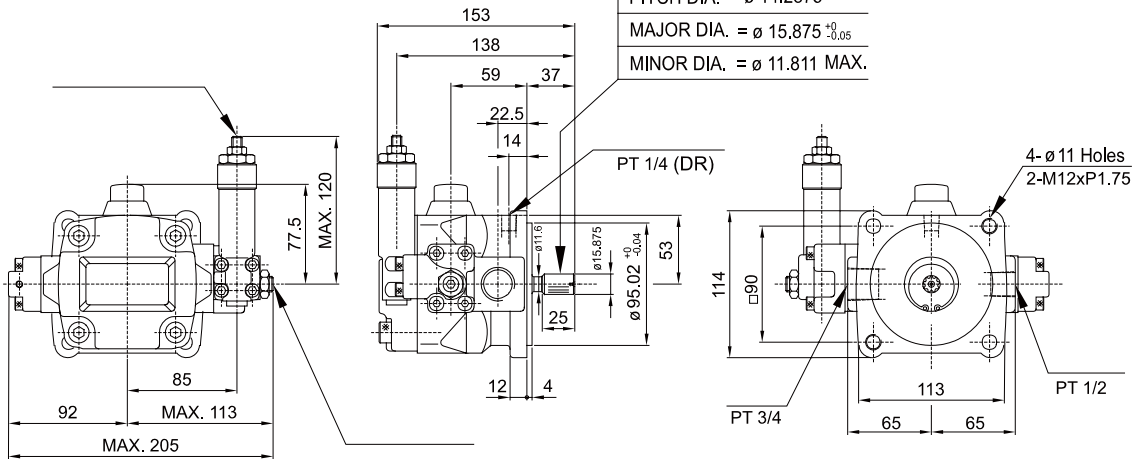
VP5F-B3-50





ANSI B92.1

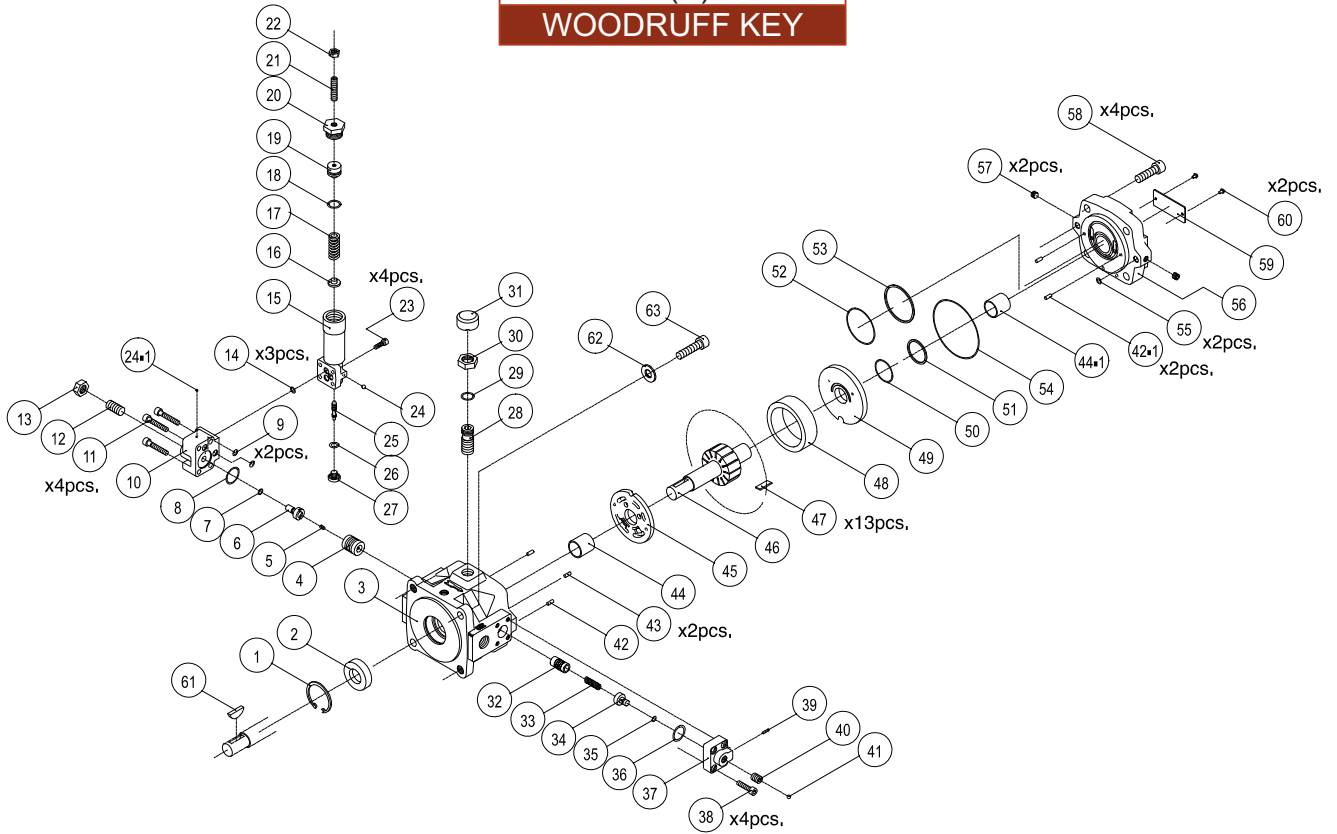
MODULE = D.P.16 / 32
PRESSURE ANGLE = 30°
NO.OF TEETH = 9
PITCH DIA. = ø 14.2875
MAJOR DIA. = ø 15.875 <sup>+0/-0.05</sup>
MINOR DIA. = ø 11.811 MAX.





**[ ASSEMBLY & PARTS LIST ]**

**VP5F-A(B)※-50  
WOODRUFF KEY**



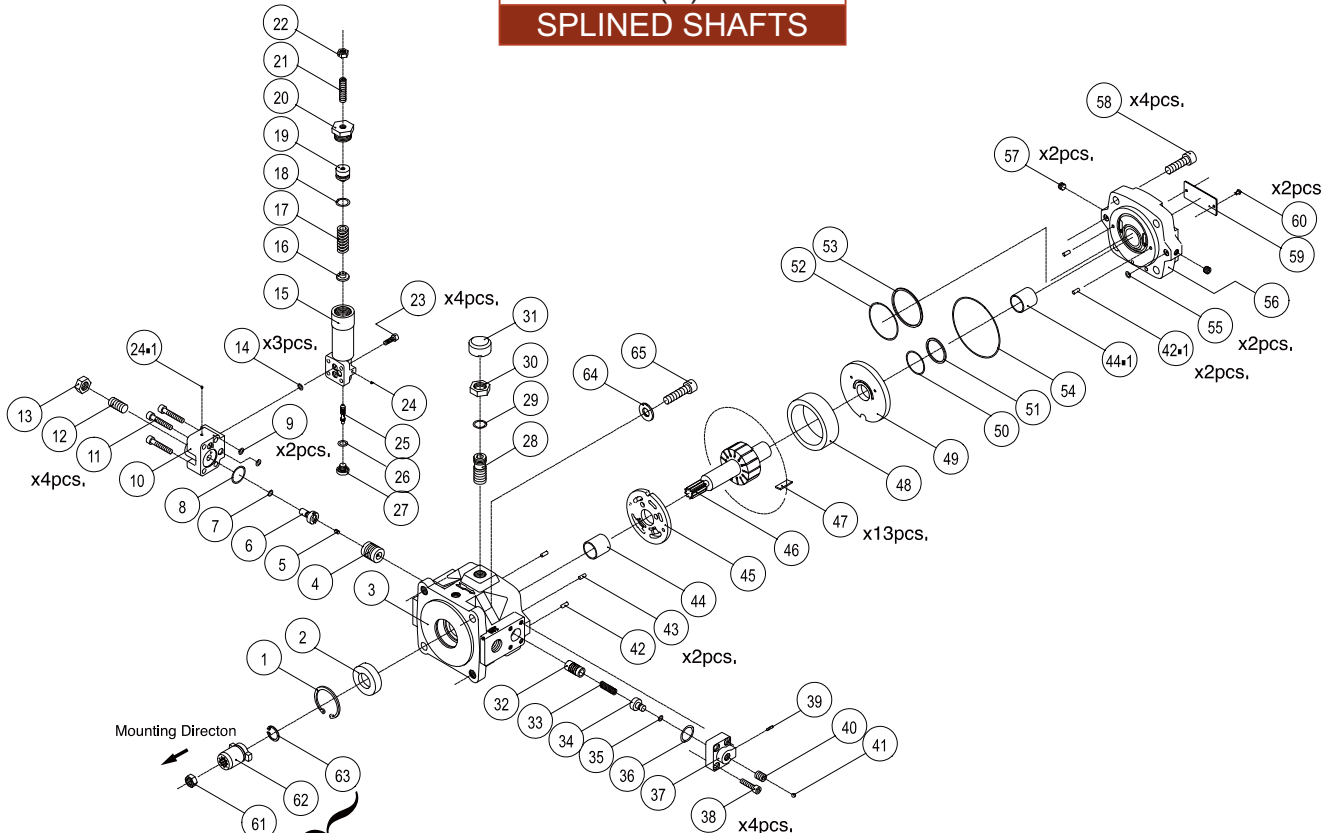
**PARTS LIST**

NO.	DESCRIPTION	SPECIFICATION	QTY	NO.	DESCRIPTION	SPECIFICATION	QTY	NO.	DESCRIPTION	SPECIFICATION	QTY
1	Retainer Ring	R42	1	23	Socket Set Screw	M5×P0.8×25L	4	44	Engine Bush	DIADO(JAPAN)DD2225	1
2	Shaft Seal	TCV 224211	1	24	Plug	ø3.2	1	44-1	Engine Bush	DIADO(JAPAN)DD2225	1
3	Pump Body		1	25	Spool		1	45	Port Plate		1
4	Piston		1	26	O-Ring	1A-P10	1	46	Rotorshaft		1
5	Socket Set Screw	M4×P0.7×5L	1	27	Plug		1	47	Vanes		13
6	Piston		1	28	Slide Screw		1	48	Cam Ring		1
7	O-Ring	1A-P5	1	29	O-Ring	1A-P14	1	49	Thrust Plate		1
8	O-Ring	1A-P20	1	30	Hexagon Nut	M16×P1.0	1	50	O-Ring	AS568-026	1
9	O-Ring	1A-P6	2	31	Cap		1	51	Endless Back-up Ri		1
10	Cover		1	32	Piston		1	52	O-Ring	AS568-034	1
11	Skt. HD. Cap Scr.	M6×P1.0×35L	4	33	Spring		1	53	Endless Back-up Ri		1
12	Socket Set Screw	M12×P1.75×25L	1	34	Piston		1	54	O-Ring	1A-S85	1
13	Hexagon Nut	M12×P1.75	1	35	O-Ring	1A-P5	1	55	O-Ring	1A-P6	2
14	O-Ring	1A-P6	3	36	O-Ring	1A-P22	1	56	Cover		1
15	Body		1	37	Cover		1	57	Plug	1/16"	2
16	Hold		1	38	Skt. HD. cap Scr	M6×P1.0×25L	4	58	Skt. HD. Cap Scr	M10×P1.5×35L	4
17	Spring		1	39	Socket Set Screw	M5×P0.8×10L	1	59	Name Plate		1
18	O-Ring	1A-P14	1	40	Socket Set Screw	M10×P1.5×12L	1	60	Fixing Screw		2
19	Spring Retainer		1	41	Plug		1	61	Woodruff Key	NO.608	1
20	Screw		1	42	Spring Pin	ø4 10	1	62	Spring Washer	M10	4
21	Socket Set Screw	M8×P1.25×35L	1	42-1	Spring Pin	ø4 10	2	63	Skt. HD. Cap Scr.	M10×P1.5×30L	4
22	Hexagon Nut	M8×P1.25	1	43	Spring Pin	ø4 10	2	▶ 62 63 are Accessories.			



**[ ASSEMBLY & PARTS LIST ]**

**VP5F-A(B)※-50S  
SPLINED SHAFTS**



**PARTS LIST**

NO.	DESCRIPTION	SPECIFICATION	QTY	NO.	DESCRIPTION	SPECIFICATION	QTY	NO.	DESCRIPTION	SPECIFICATION	QTY
1	Retainer Ring	R42	1	24	Plug	ø3.2	1	45	Port Plate		1
2	Shaft Seal	TCV 224211	1	25	Spool		1	46	Rotorshaft		1
3	Pump Body		1	26	O-Ring	1A-P10	1	47	Vanes		13
4	Piston		1	27	Plug		1	48	Cam Ring		1
5	Socket Set Screw	M4×P0.7×5L	1	28	Slide Screw		1	49	Thrust Plate		1
6	Piston		1	29	O-Ring	1A-P14	1	50	O-Ring	AS568-026	1
7	O-Ring	1A-P5	1	30	Hexagon Nut	M16×P1.0	1	51	Endless Back-up Ri		1
8	O-Ring	1A-P20	1	31	Cap		1	52	O-Ring	AS568-034	1
9	O-Ring	1A-P6	2	32	Piston		1	53	Endless Back-up Ri		1
10	Cover		1	33	Spring		1	54	O-Ring	1A-S85	1
11	Skt. HD. Cap Scr.	M6×P1.0×35L	4	34	Piston		1	55	O-Ring	1A-P6	2
12	Socket Set Screw	M12×P1.75×25L	1	35	O-Ring	1A-P5	1	56	Cover		1
13	Hexagon Nut	M12×P1.75	1	36	O-Ring	1A-P22	1	57	Plug	1/16"	2
14	O-Ring	1A-P6	3	37	Cover		1	58	Skt. HD. Cap Scr	M10×P1.5×35L	4
15	Body		1	38	Skt. HD. cap Scr	M6×P1.0×25L	4	59	Name Plate		1
16	Hold		1	39	Socket Set Screw	M5×P0.8×10L	1	60	Fixing Screw		2
17	Spring		1	40	Socket Set Screw	M10×P1.5×12L	1	61	Woodruff Key	NO.608	1
18	O-Ring	1A-P14	1	41	Plug		1	62	Coupling		1
19	Spring Retainer		1	42	Spring Pin	ø4 10	1	63	Retainer Ring	IRTW24	1
20	Screw		1	42-1	Spring Pin	ø4 10	2	64	Spring Washer	M10	4
21	Socket Set Screw	M8×P1.25×35L	1	43	Spring Pin	ø4 10	2	65	Skt. HD. Cap Scr.	M10×P1.5×30L	4
22	Hexagon Nut	M8×P1.25	1	44	Engine Bush	DIADO(JAPAN)DD2225	1				
23	Socket Set Screw	M5×P0.8×25L	4	44-1	Engine Bush	DIADO(JAPAN)DD2225	1				

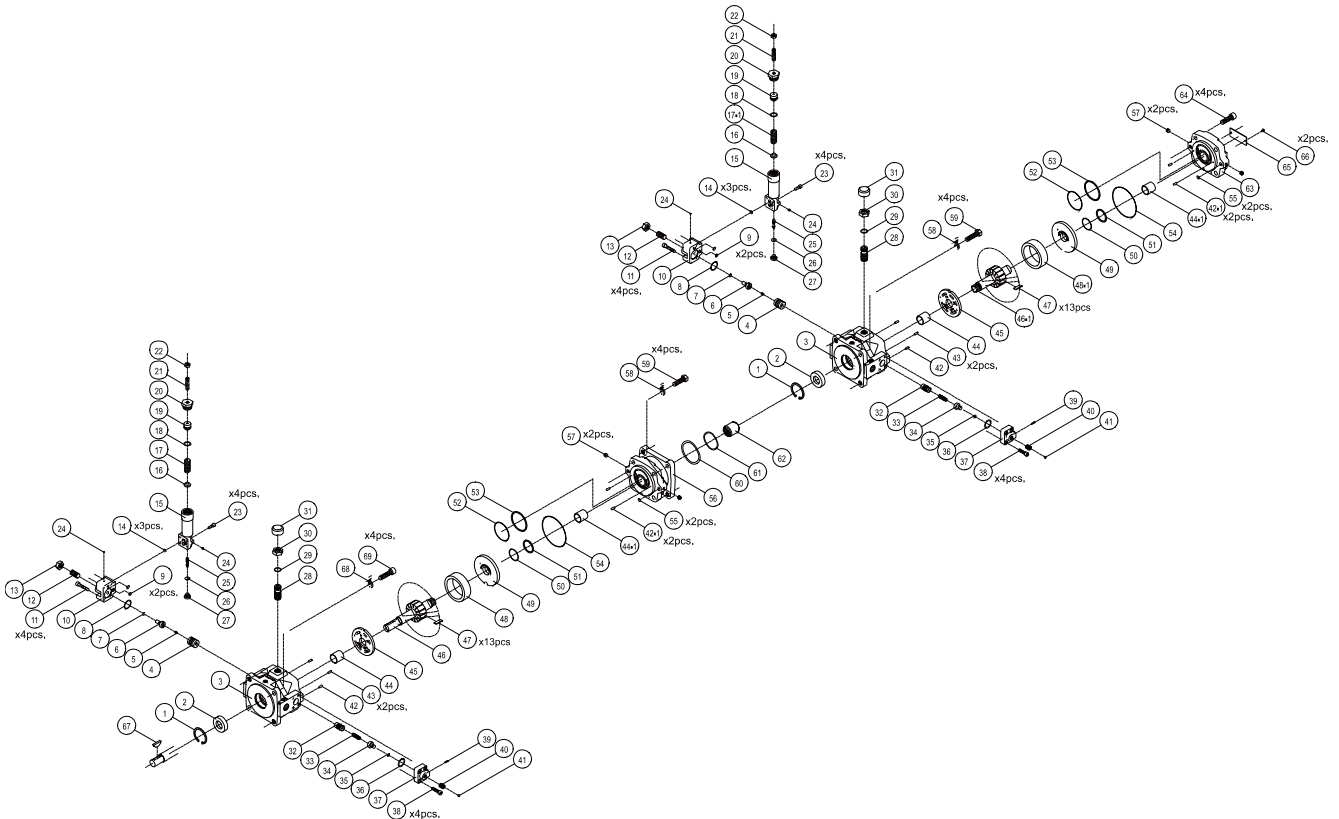
▶61~65 are Accessories.





**[ ASSEMBLY & PARTS LIST ]**

**VP5FD-A(B)※-A(B)※-50  
WOODRUFF KEY**



**PARTS LIST**

NO.	DESCRIPTION	SPECIFICATION	QTY	NO.	DESCRIPTION	SPECIFICATION	QTY	NO.	DESCRIPTION	SPECIFICATION	QTY
1	Retainer Ring	R42	1+1	26	O-Ring	1A-P10	1+1	48-1	Cam Ring		1
2	Shaft Seal	TCV 224211	1+1	27	Plug		1+1	49	Thrust Plate		1+1
3	Pump Body		1+1	28	Slide Screw		1+1	50	O-Ring		1+1
4	Piston		1+1	29	O-Ring	1A-P14	1+1	51	Endless Back-up Ri		1+1
5	Socket Set Screw	M4×P0.7×5L	1+1	30	Hexagon Nut	M16×P1.0	1+1	52	O-Ring		1+1
6	Piston		1+1	31	Cap		1+1	53	Endless Back-up Ri	AS568-026	1+1
7	O-Ring	1A-P5	1+1	32	Piston		1+1	54	O-Ring		1+1
8	O-Ring	1A-P20	1+1	33	Spring		1+1	55	O-Ring	AS568-034	2+2
9	O-Ring	1A-P6	2+2	34	Piston		1+1	56	Cover		1
10	Cover		1+1	35	O-Ring	1A-P5	1+1	57	Plug	1A-S85	2+2
11	Skt. HD. Cap Scr.	M6×P1.0×35L	4+4	36	O-Ring	1A-P22	1+1	58	Skt. HD. Cap Scr	1A-P6	4+4
12	Socket Set Screw	M12×P1.75×25L	1+1	37	Cover		1+1	59	Hexagon Head Screw		4+4
13	Hexagon Nut	M12×P1.75	1+1	38	Skt. HD. cap Scr	M6×P1.0×25L	4+4	60	O-Ring	1/16"	1
14	O-Ring	1A-P6	3+3	39	Socket Set Screw	M5×P0.8×10L	1+1	61	O-Ring	M10×P1.5×35L	1
15	Body		1+1	40	Socket Set Screw	M10×P1.5×12L	1+1	62	Coupling		1
16	Hold		1+1	41	Plug			Parts numbers 1-59 on the double pump are same as those on previous pump. Quantity are calculated together. (but parts number 17-1, 46-1, and 48-1 are not included )			
17	Spring		1	42	Spring Pin	ø4 10					
17-1	Spring		1	42-1	Spring Pin	ø4 10	2+2	64	Skt. HD. Cap Scr.	IRTW24	4
18	O-Ring	1A-P14	1+1	43	Spring Pin	ø4 10	2+2	65	Name Plate	M10	1
19	Spring Retainer		1+1	44	Engine Bush	DIADO(JAPAN)DD2225	1+1	66	Fixing Screw	M10×P1.5×30L	2
20	Screw		1+1	44-1	Engine Bush	DIADO(JAPAN)DD2225	1+1	67	Woodruff Key	NO.608	1
21	Socket Set Screw	M8×P1.25×35L	1+1	45	Port Plate		1+1	68	Spring Washer	M10	4
22	Hexagon Nut	M8×P1.25	1+1	46	Rotorshaft(B)		1	69	Skt. HD. Cap Scr.	M10×P1.5×30L	4
23	Socket Set Screw	M5×P0.8×25L	4+4	46-1	Rotorshaft(B)		1				
24	Plug	ø3.2	2+2	47	Vanes		13+13				
25	Spool		1+1	48	Cam Ring		1	▶ 68-69 are Accessories.			