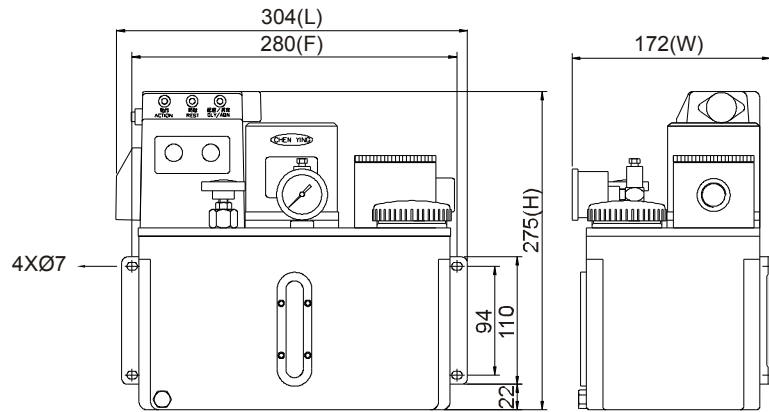


CEF Циркуляционная станция смазки



CHEN YING



CEF-05(25W) Type стандарт Externals

Описание

1. CEF type is circulating lubricator, which means the oil flows out, then comes back into the oil бак through the cyclic Вход. The cyclic Вход. has magnetic filter, which can block the impurities and assure the oil clean.
2. The timer controls the operation and interval time. The electronic box has operation, interval and abnormal indicators.
3. It has a feed-oil button, press the button and the oil will feed immediately.
4. After installing and connecting the piping, press the "feed-oil button" till the oil flows out, then start to use it.
5. It used a high quality alloy steel gear pump and induction motor that not only has steady output pressure and low noise, but also can assure each lubrication point with output of oil. It can be applied for large machines' request.
6. It has a pressure-regulating valve and манометр, where an operator can adjust the pressure and check the pressure easily.
7. It has a float switch that can detect the oil volume. It will have an automatic signal automatically when the oil level is lower than the minimum.

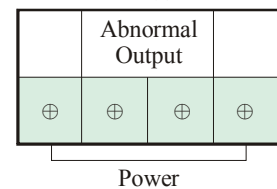
Application of Machines Equipment

1. The circulating type electric lubricators could save the usage volume of oil, and have large выходн. volume.
2. Circulating type lubricators also have cooling, lubricative and filtering effect, which can reduce wear of lubrication point. It's suitable for machinery requiring large выходн. volume or quickly operating.

Модель	Act Time	interval Time	Motor	Max Volume	Max Pressure	1Ø Напряж.	Ampere	Hertz	ВЫХОДН. Отв.	Cyclic Вход.	Oil вязкость
CEF	3sec-3min	1-60min	25W	250 cc/min	15kgf/cm ²	110V	0.7A	50/60Hz	Ø4 or Ø6	1/2" or 3/4" (inch)	32-68cSt@0□
		1-180min 1-360min	60W	500 cc/min	30kgf/cm ²	110V 220V	0.25A 1A 0.65A				

Модель	Бак код	Бак Матер.	вместим. Литры	Креп.отв. расстояние(mm)	длина (mm)	Ширина (mm)	Высот. (mm)	Масса (kg)	
CEF (25W)	05	аллюм	4L	280	304	172	275	7.50	
	08	сталь	8L	338	355	190	305	10.10	
	12	сталь	12L	475	495	220	345	12.40	
Модель	Бак код	Бак Матер.	вместим. Литры	Креп.отв. расстояние(mm)	длина (mm)	Ширина (mm)	Высот. (mm)	Масса (kg)	
	CEF (60W)	08	сталь	8L	338	355	190	340	11.15
		12	сталь	12L	475	495	220	380	13.45

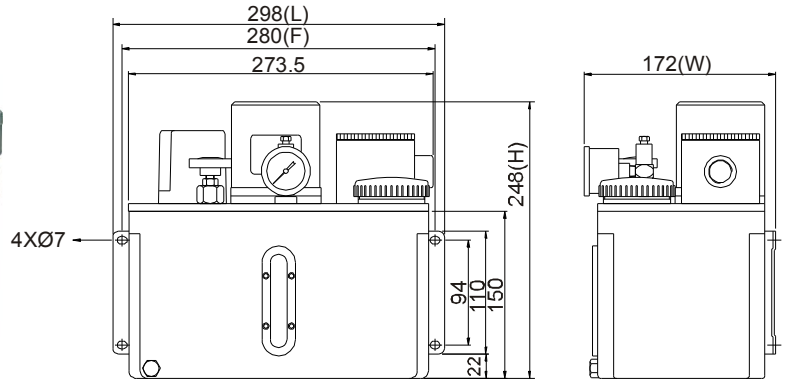
CEF ода фаза схема Подкл.



Усл.обознач.:

CE	F	05	060	C	25	1	A	※
Модель:	Объем бака (Матер.)	interval	Напряж.	Motor	выходн. Отв.	Cyclic Вход.	Доп.детали	
Circulating	05:4L (аллюм)	060:60min	A:110V	25:25W	0: Ø4	A:1/2"	※60:8L above metal	
Type	08:8L (сталь)	180:180min	C:220V		1: Ø6	B:3/4"	Бак could be assembled with 60W motor.	
F:Controlled by Timer	12:12L (сталь)	360:360min			2: Ø4 (C манометром)			
	20:20L (сталь)				3: Ø6 (C манометром)			
	30:30L (сталь)						※90:8L above metal	
	40:40L (сталь)						Бак could be assembled with 90W motor.	
	60:60L (сталь)							

CEF Type Circulating Electric Lubricator



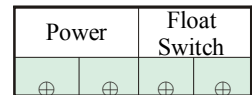
СЕН-05 (25W) Type Standards Externals

Описание

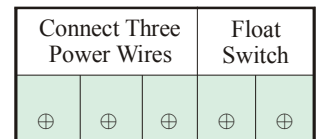
1. СЕН станция циркуляционного типа. На входе магнитный фильтр.
2. СЕН не оборудована таймером и может управляться программируемым контроллером.
3. В станциях применяется высококачественный шестеренный насос из легированной стали. Малые пульсации по давлению и бесшумность.
4. Имеется регулятор давления, манометр и реле уровня. Автоматический сигнал о низком уровне масла.
5. Реле давления, которое можно подключить как нормально открытое, так и закрытое.

Модель	Motor	Подача max	Max Pressure	Напряж.	Ampere	Hertz	ВЫХОДН. Отв.	Cyclic Inlet	Вязкость
СЕН	25W	250 cc/min	15kgf/cm ²	110V 220V 3Ø Optional	0.7A 0.2A 0.3A	50/60Hz	Ø4 or Ø6	1/2" or 3/4" (inch)	32-68cSt@40°C
	60W	600 cc/min	30kgf/cm ²	110V 220V 3Ø Optional	1A 0.65A 0.35A				

СЕН ода фаза схема подкл.



СЕН Three Phase схема подкл.



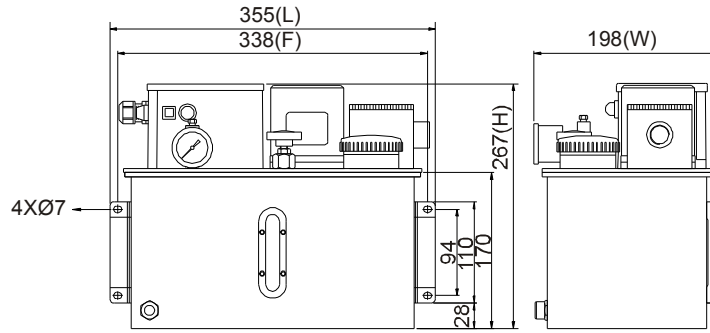
Модель	Бак код	Бак Матер.	вместим. Литры	Креп.отв. расстояние(mm)	длина(mm)	Ширина(mm)	Высот.(mm)	Масса (kg)
СЕН (25W)	05	аллюм	4L	280	298	172	248	7.25
	08	сталь	8L	338	355	190	275	10.30
	12	сталь	12L	475	495	220	315	12.60
СЕН (60W)	08	сталь	8L	338	355	190	340	11.35
	12	сталь	12L	475	495	220	380	13.65

While connecting wires, please make sure that the motor rotates anticlockwisely (see the red spot of spindle). If the motor rotate clockwise, please change positions of two power wires, then try again

Усл.обознач.:

С	Е	Н	05	С	25	1	А	※
Модель :	Объем бака(Матер.)	Напряж.	Motor	выходн. Отв.	Cyclic Inlet	Доп.детали		
Circulating Type	05 : 4L (аллюм)	A: 110V	25: 25W	0: Ø4	A: 1/2"	※60 : 8L above metal Бак could be assembled with 60W motor.		
H:controlled by PLC	08 : 8L (сталь)	C: 220V		1: Ø6	B: 3/4"	※90 : 8L above metal Бак could be assembled with 90W motor.		
	12 : 12L (сталь)	D: 3Ø 220/380V		2: Ø4 (С манометром)				
	20 : 20L (сталь)	E: 3Ø220/440V		3: Ø6 (С манометром)				
	30 : 30L (сталь)	F: 3Ø 208/415V						
	40 : 40L (сталь)	G: 3Ø 230/460V						
	60 : 60L (сталь)	H: 3Ø 240/480V						
		X: Special Напряж.						

CEU Циркуляционная станция смазки



CEU-08(25W) Type стандарт Externals

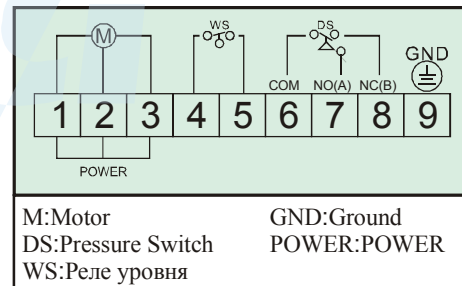
Описание

- 1.CEU type is circulating lubricator, which means the oil flows out, then comes back into the oil Бак through the cyclic Вход.. The cyclic Вход. has magnetic filter, which can block the impurities and assure the oil clean.
- 2.CEU type is without timer, also could be controlled by Programmable Logic Controller (PLC).
- 3.After installing and connecting the piping, feed oil till oil flows out, then start to use this lubricator.
- 4.It used a high quality alloy steel gear pump and induction motor that not only has steady output pressure and low noise, but also can assure each lubrication point with output of oil. It can be applied for large machines' request.
- 5.It has a pressure switch device and been set up as 1kg/cm², which assures the oil volume of lubrication point and detects if the piping works normally. The standard Описание is NC (Normal Close) contact, which means if the pressure is abnormal, it will have abnormal signal. NO (Normal Open) contact is on request.
- 6.It has a pressure-regulating valve, which can adjust the pressure and easy to check from the манометр.
- 7.It has a float switch that can detect the oil volume . It will have an automatic signal when the oil level is lower than the minimum.
- 8.CEU type could be installed a power indicator on request.

Application of Machines Equipment

The circulating type electric lubricators could save the usage volume of oil, and have large выходн. volume. Circulating type lubricators also have cooling, lubricative and filtering effect, which can reduce wear of lubrication point. It's suitable for machinery requiring large выходн. volume or quickly operating.

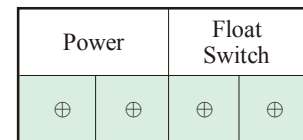
CEU Three Phase схема подкл.



Модель	Motor	Подача max	Давл.макс.	Напряж.	Ampere	Hertz	выходн. Отв.	Cyclic Вход.	Вязкость
CEU	25W	250 cc/min	15kgf/cm ²	1Ø 110V 1Ø 220V 3Ø на заказ	0.7A 0.2A 0.3A	50/60Hz	Ø4 orØ6	1/2" or 3/4" (inch)	32-68cSt@40°C
	60W	600 cc/min	30kgf/cm ²	1Ø 110V 1Ø 220V 3Ø на заказ	1A 0.65A 0.35A				

Модель	Бак код	Бак Матер.	вместим. Литры	Креп.отв. расстояние(mm)	длина (mm)	Ширина (mm)	Высот. (mm)	Масса (kg)
CEU (25W)	08	сталь	8L	338	355	198	267	12.25
	20	сталь	20L	410,200	450	250	370	17.80
	40	сталь	40L	450,300	560	410	505	43.00
CEU (60W)	08	сталь	8L	338	355	190	340	13.30
	20	сталь	20L	410,200	450	250	435	18.90
	40	сталь	40L	450,300	560	410	570	44.05

CEU (No Pressure Switch Type) ода фаза схема подкл.

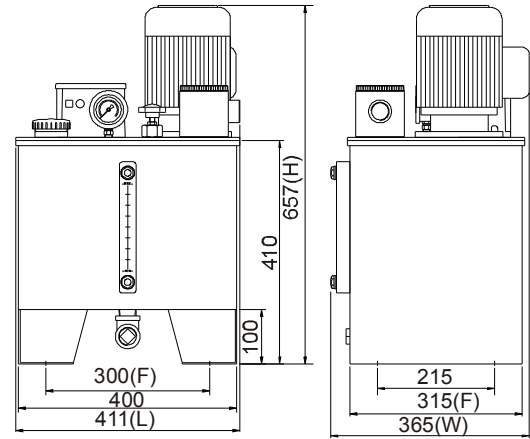


Усл.обознач.:

CE	U	08	C	25	1	A	※
Модель:	Объем бака(Матер.)	Напряж.	Motor	выходн. Отв.	Cyclic Вход.	Доп.детали	
Circulating Type	08:8L (сталь)	A:110V	25:25W	0: Ø4	A:1/2 "	※60:8L above metal Бак could be assembled with 60W motor.	
U:With	20:20L (сталь)	C:220V		1: Ø6	B:3/4 "	※90:8L above metal Бак could be assembled with 90W motor.	
Pressure Switch	30:30L (сталь)	D: 3Ø 220/380V		2: Ø4 (C манометром)			
	40:40L (сталь)	E: 3Ø 220/440V		3: Ø6 (C манометром)			
	60:60L (сталь)	F: 3Ø 208/415V					
		G: 3Ø 230/460V					

Н : 3Ø 240/480V
X : Special Напряж.

CEU Type Circulating Electric Lubricator



CLS 10-30 Type стандарт Externals

Описание

1. According to the difference of flow rate, there are CLS-10, CLS-30, CLS-50 type, among them, CLS-50 has largest flow rate 4.5 L/min, please refer the Описание for details.
2. CLS type is circulating lubricator, which means the oil flows out, then comes back into the oil Бак through the cyclic Вход.. The cyclic Вход. has magnetic filter, which can block the impurities and assure the oil clean.
3. After installing and connecting the piping, feed oil till oil flows out, then start to use this lubricator.
4. It used a high quality pump that not only has steady output pressure and low noise, but also can assure each lubrication point with output of oil. It can be applied for large machines' request.
5. It has a pressure switch device, which assures the oil volume of lubrication point and detects if the piping works normally. The standard Описание is NC (Normal Close) contact, which means if the pressure is abnormal, it will have abnormal signal. NO (Normal Open) contact is on request.
6. It has a pressure-regulating valve, which can adjust the pressure and easy to check from the манометр.
7. It has a Реле уровня that can detect the oil volume. It will have an automatic signal when the oil level is lower than the minimum.
8. The стандарт assemble with 360Вт motor, also can be changed to 730Вт.
9. The standard of cyclic Вход. is 3/4 inches, but can be changed to 1, 1 1/4, 1 2/1 inches on request.
10. A buzzer can be added on request, which will alarm when the oil level is lower than the minimum.

Application of Machines Equipment

The circulating type electric lubricators could save the usage volume of oil, and have quite large выходн. volume. CLS type lubricators have cooling, lubricative and filtering effect, which can reduce wear of lubrication point. It's suitable for machinery requiring large выходн. volume or quickly operating.

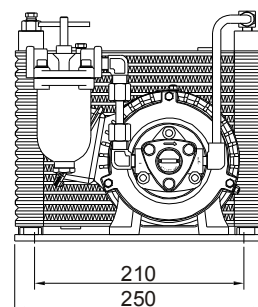
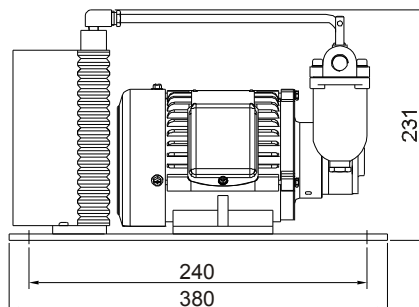
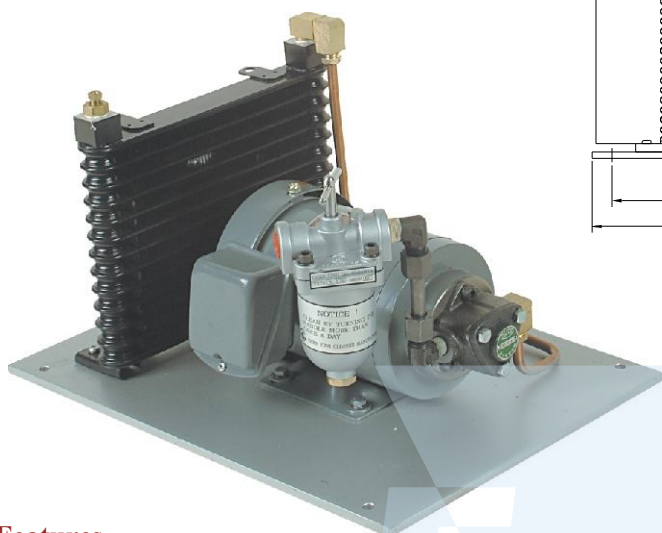
Model	Motor	Подача мах	Давл.макс.	Напряж.	Поле	Выход. Отв.	Cyclic Вход.	Вязкость
CLS-10	360Вт	1.5L/min	15kgf/cm ²	1Ø 110V	4	PT1/4	3/4" 1" 1 1/2" 1 1/4"	32-68cSt@40
CLS-30	or	3L/min		1Ø 220V				
CLS-50	730Вт	4.5L/min		3Ø на заказ				

Модель	Бак код	Бак Матер.	вместим. Литры	Креп.отв. расстояние(mm)	длина (mm)	Ширина (mm)	Высот. (mm)	Масса (kg)
CLS-10	30	сталь	30L	300,315	411	365	657	46.3
CLS-30	40	сталь	40L	450,300	560	410	650	52.5
CLS-50	60	сталь	60L	500,300	610	415	690	75.5

Усл.обознач.:

CLS — 10	30	D	2	3	B	※
└┘						
Модель: Circulating Type	Объем бака (Матер.)	Напряж.	Motor	Выход. Отв. PT1/4	Cyclic Вход.	Special Request
10: Volume 1.5L/min	30: 30L (сталь)	A: 1Ø 110V, 60Hz	2: 1 / 2HP	2: Ø4 (С манометром)	B: 3/4 "	※ 100L and above Бак вместим. is on request.
30: Volume 3L/min	40: 40L (сталь)	B: 1Ø 220V, 50Hz	4: 730Вт	3: Ø6 (С манометром)	C: 1 "	
50: Volume 4.5L/min	60: 60L (сталь)	C: 1Ø 220V, 60Hz			D: 1 1/4 "	
	100: 100L (сталь)	D: 3Ø 220/380V			E: 1 1/2 "	
	150: 150L (сталь)	E: 3Ø 220/440V				
		F: 3Ø 208/415V				
		G: 3Ø 230/460V				
		H: 3Ø 240/480V				
		X: Special Напряж.				

CLSS-1/4 циркуляционная смазка с маслоохладителем



Features

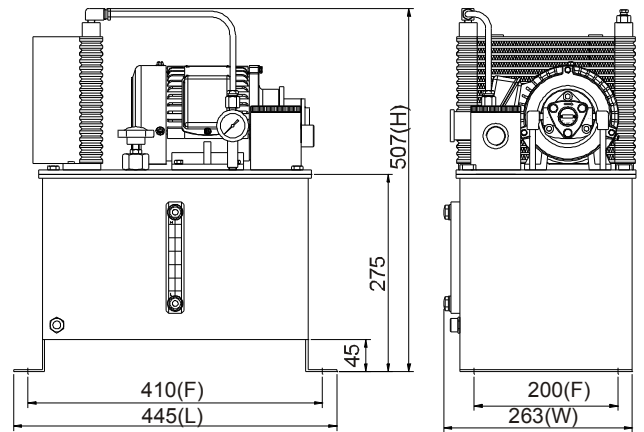
- Смазочная станция без бака на основе агрегата насосного (типа БГ11)
- Фильтр 250 мкм (можно заказать любую тонкость)
- радиатор
- как опция может быть снабжен вентилятором

Model	Motor	Rotary Pump	Max Volume	Max Pressure	Voltage	Pole	Discharge Bore	Cyclic Inlet	Oil Viscosity	Weight(kg)
CLSS 1/4HP	CYP-10A	1.2~1.4L/min	5kgf/cm ²	1Ø 110V 1Ø 220V 3Ø Optional	4	PT3/8	1/2" or 3/4" (inch)Optional	32-68cSt@0°C	18.5	

Order Code:

CL	S	10	D	1	1	※
Model- с радиатором	Rotary Oil Pump	Voltage	Мощность	Discharge Bore PT3/8	Special Request	
Циркуляционная	10-CYP-10A	A-1Ø 110V,60Hz	1-180 Вт	0: Ø4	※Fan-: с вентилятором	
S- без бака	11-CYP-11A	B-1Ø 220V,50Hz		1: Ø6		
	12-CYP-12A	C-1Ø 220V,60Hz		2: Ø4 (With Pressure Gauge)		
	13-CYP-13A	D-3Ø 220/380V		3: Ø6 (With Pressure Gauge)		
		E-3Ø 220/440V				
		F-3Ø 208//415V				
		G-3Ø 230/460V				
		H-3Ø 240/480V				
		X-Special Voltage				

CLST-1/4 Type Cooling Circulating Electric Lubricator



CLST-20 Type Standards Externals

Features

Смазочная станция на основе агрегата насосного (типа БГ11)

- Фильтр магнитный
- радиатор
- как опция может быть снабжен вентилятором
- реле уровня
- регулятор давления

- 4.It used a high quality alloy steel pump that not only has steady output pressure and low noise, but also can assure each lubrication point with output of oil. It can be applied for large machines' request.
- 5.It has a pressure-regulating valve, which can adjust the pressure and easy to check from the pressure gauge.
- 6.It has a float switch that can detect the volume of oil. It will have abnormal signal when the oil level is lower than the standard.
- 7.The standard one is assembled with CYP-10A rotary oil pump, but also can be assembled with CYP-11A, CYP-12A or CYP-13A upon the difference of discharge volume. Please refer the specification for details.
- 8.The max pressure of CLST-1/4 type is 5 kg/cm², and after cooling, the temperature of oil will be room temperature plus 10°C.
- 9.The various capacity of reservoirs are available, such as 20L, 30L, 40L, 60L, 100L, and 150L.
- 10.A fan can be added on request for better cooling effect.

Application of Machines Equipment

The cooling circulating type electric lubricators assemble with good cooling device, which not only save the usage volume of oil, but also have quite large discharge volume. It's suitable for machinery requiring large discharge volume or quickly operating.

Model	Motor	Rotary Pump	Max Volume	Max Pressure	Voltage	Pole	Discharge Bore	Cyclic Inlet	Oil Viscosity
CLST	1/4HP	CYP-10A	1.2~1.4L/min	5kgf/cm ²	1Ø 110V 1Ø 220V 3Ø Optional	4	PT3/8	1/2" or 3/4" (inch) Optional	32-68cSt@40°C

Model	Tank Code	Tank Material	Capacity Liters	Fixed Hole Distance(mm)	Length (mm)	Width (mm)	Height (mm)	Weight (kg)
CLST	20	Iron	20L	410,200	445	263	507	29.5
	30	Iron	30L	300,215	410	351	641	41.5
	40	Iron	40L	450,300	560	410	650	54.4

Order Code:

CL	S	T	20	10	D	1	3	B	※
Model :		Tank Capacity	Rotary Oil Pump	Voltage	HP	Discharge Bore	PT3/8	Cyclic Inlet	Special
Cooling,		Liters	10: CYP-10A	A : 1Ø 110V,60Hz	1: 14HP	2 : Ø4	(With Pressure Gauge)	A: 1/2 "	Request
Circulating Type		20 : 20L (Iron)	11: CYP-11A	B : 1Ø 220V,50Hz		3 : Ø6	(With Pressure Gauge)	B: 3/4 "	※Fan:
T : With Oil Tank		30 : 30L (Iron)	12: CYP-12A	C : 1Ø 220V,60Hz					Add a fan
		40 : 40L (Iron)	13: CYP-13A	D : 3Ø 220/380V					
		60 : 60L		E : 3Ø 220/440V					
		100 : 100L		F : 3Ø 208/415V					
		150 : 150L		G : 3Ø 230/460V					
				H : 3Ø 240/480V					
				X : Special Voltage					