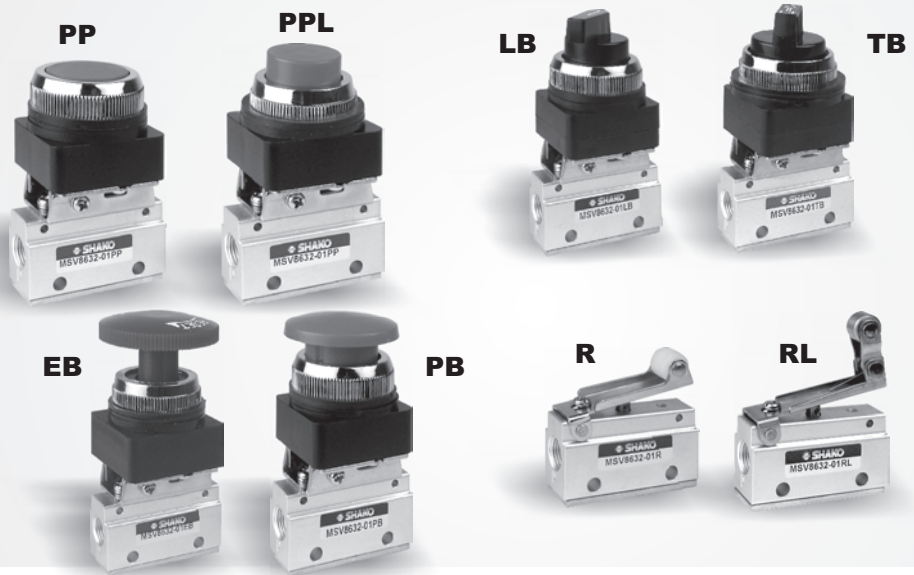


## Features

- \* To be installed in moving devices like air cylinder, slide...etc.
- \* Various operating styles.
- \* Panel bore size  $\phi 30$  (Option  $\phi 25$ ).



## How to order

MSV8632

- 01

N

R

G

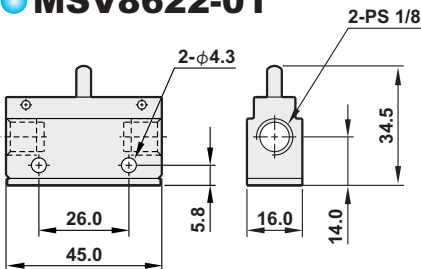
Mechanical valves		Port size		Thread		Operator				Operator color	
MSV8622	Single	01	1/8"	Blank	PS	R	Roller	PB	Palm button (Mushroom)	Blank	Standard color
MSV8642	Stack			N	NPT	RL	One way roller	PP	Palm button (Flush)	G	Green
MSV8632	Single (with exhaust port)			* MSV8642 & MSV8662 for TB operator only.		TB	Twist selector	PPL	Palm button (Extended)	B	Black
MSV8662	Stack (with exhaust port)			LB	Long twist selector	EB	Stop cock button	Y	Yellow		

## Specifications

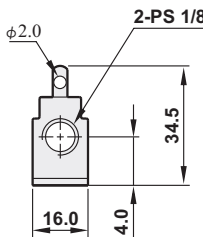
Model	MSV8632-01	MSV8642-01TB
Port size	1/8"	
Body material	Aluminum alloy	
Panel dimension	30mm (Option:25mm)	
Fluid	Compressed air	
Sectional area	1.8mm <sup>2</sup>	
Operating pressure range	0 ~ 9 kgf/cm <sup>2</sup>	
Max. operating pressure	10 kgf/cm <sup>2</sup>	
Ambient temperature	-10°C ~ 60°C	
Standard operator color	Black: TB, LB; Red: PB, PP, PPL, EB	

## Dimensions

### MSV8622-01

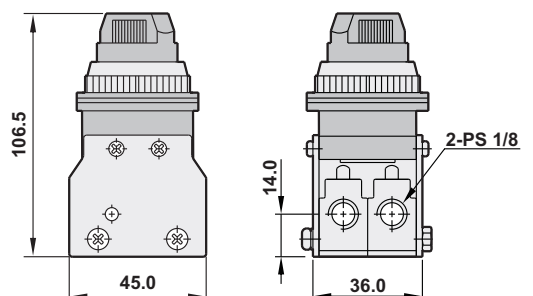


### MSV8632-01



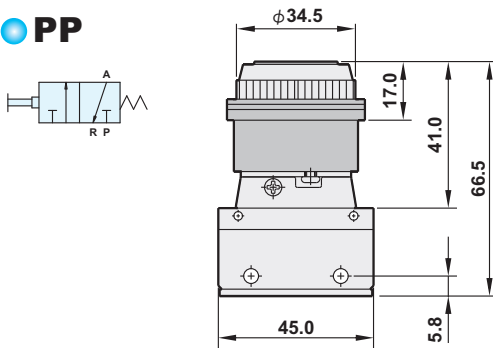
### MSV8642-01TB

### MSV8662-01TB

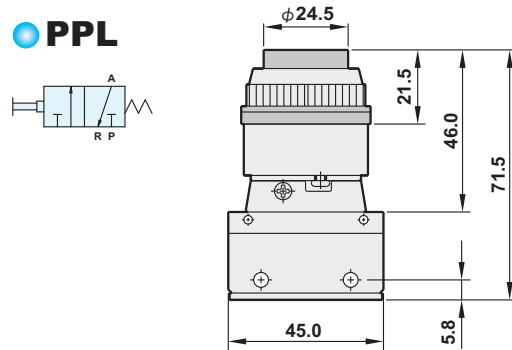


## Dimensions

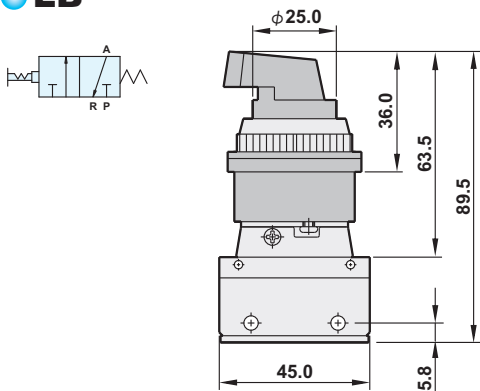
● **PP**



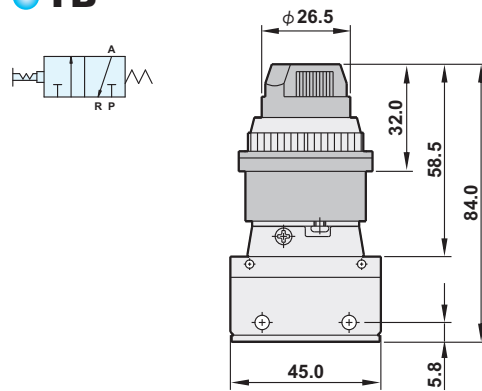
● **PPL**



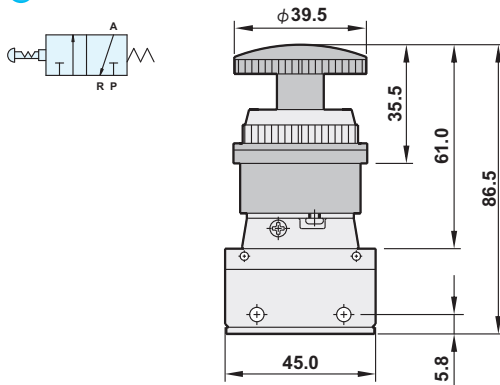
● **LB**



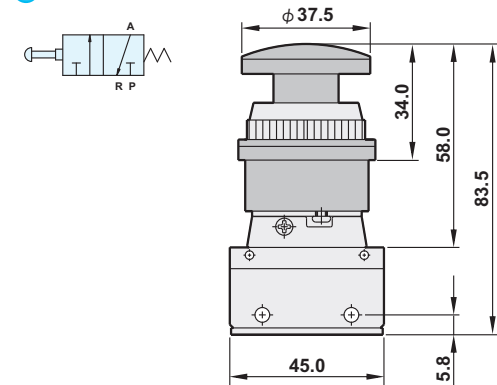
● **TB**



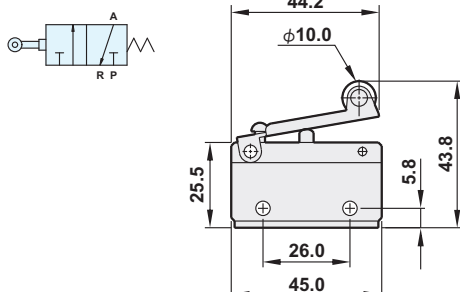
● **EB**



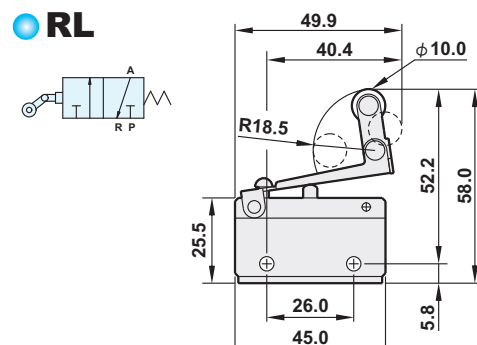
● **PB**



● **R**

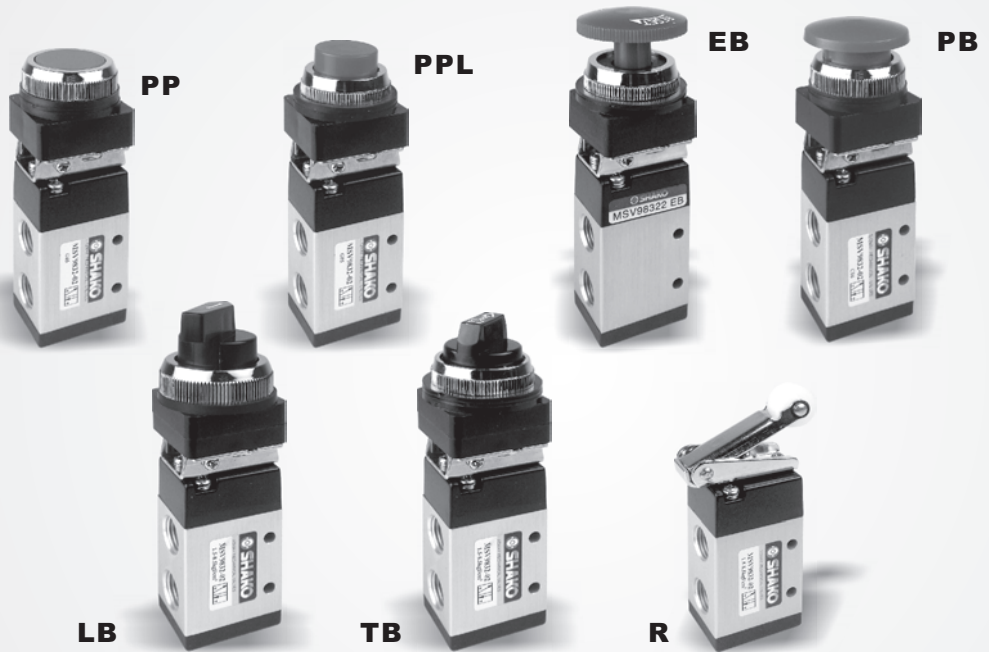


● **RL**



## Features

- \* To be installed in moving devices like air cylinder, slide...etc.
- \* Various operating styles.
- \* Panel bore size  $\phi 30$  (Option  $\phi 25$ ).



## How to order

**MSV9832** —

**02**

**N**

**R**

**G**

**Mechanical valves**

**32** | 3/2 Way

**Port size**

**02** | 1/4"  
Option 1/8"

**Thread**

<b>Blank</b>	PS
<b>N</b>	NPT

**Operator**

<b>R</b>	Roller
<b>TB</b>	Twist selector
<b>LB</b>	Long twist selector
<b>PB</b>	Palm button (Mushroom)
<b>PP</b>	Palm button (Flush)
<b>PPL</b>	Palm button (Extended)
<b>EB</b>	Stop cock button

**Operator color**

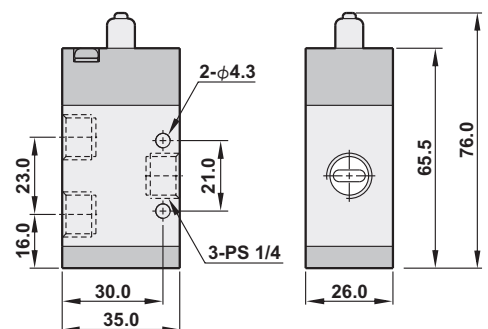
<b>Blank</b>	Standard color
<b>G</b>	Green
<b>B</b>	Black
<b>Y</b>	Yellow

## Specifications

<b>Model</b>	MSV9832-02
Port size	1/4" (Option 1/8")
Body material	Aluminum alloy
Panel dimension	30mm (Option:25mm)
Fluid	Compressed air
Sectional area	18mm <sup>2</sup>
Operating pressure range	0 ~ 9 kgf/cm <sup>2</sup>
Max. operating pressure	10 kgf/cm <sup>2</sup>
Ambient temperature	-10°C ~ 60°C
Standard operator color	Black: TB, LB; Red: PB, PP, PPL, EB

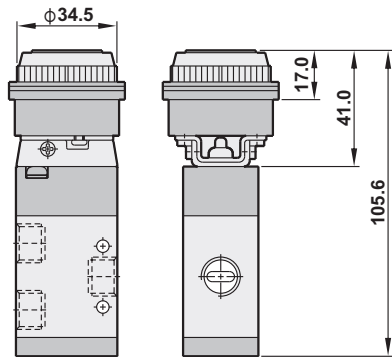
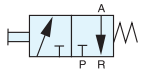
## Dimensions

### MSV9832-02

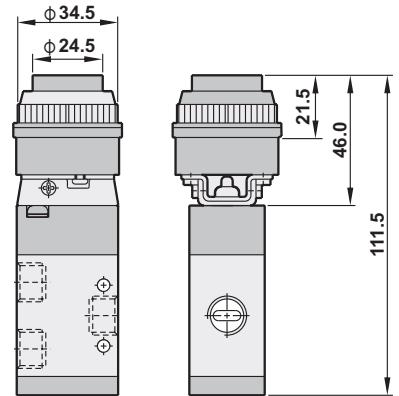
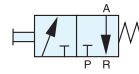


Dimensions

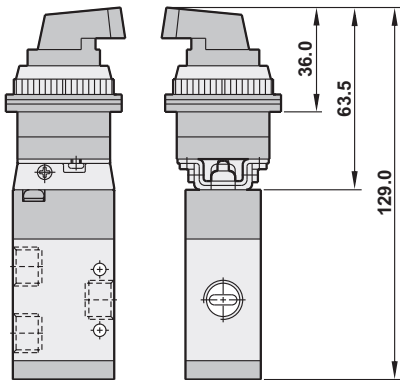
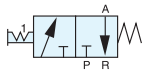
PP



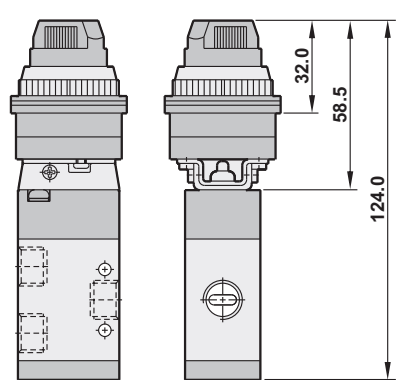
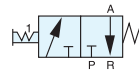
PPL



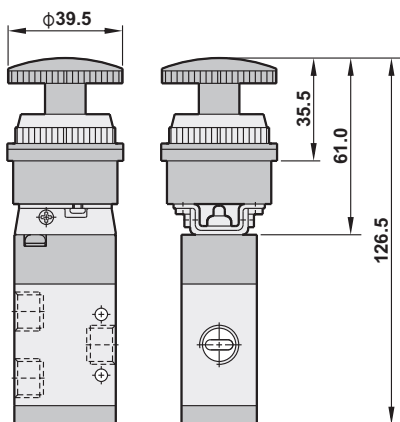
LB



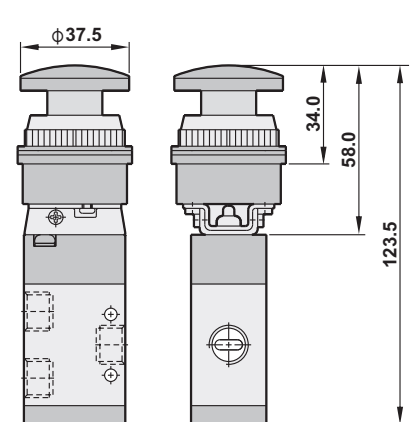
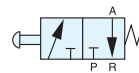
TB



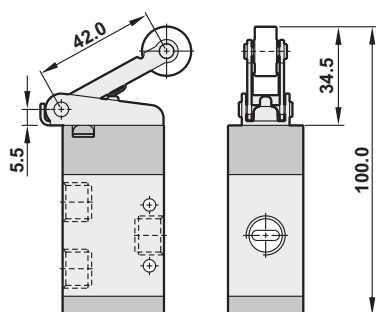
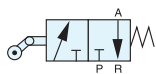
EB



PB



R



## Features

- \* To be installed in moving devices like air cylinder, slide...etc.
- \* Various operating styles.
- \* Panel bore size  $\phi 30$  (Option  $\phi 25$ ).



## How to order

**MSV8652** —

**02**

**N**

**R**

**G**

**Mechanical valves**

**Port size**

**Thread**

**Operator**

**Operator color**

52	5/2 Way
----	---------

01	1/8"
02	1/4"

Blank	PS
N	NPT

R	Roller
TB	Twist selector
LB	Long twist selector
PB	Palm button (Mushroom)
PP	Palm button (Flush)
PPL	Palm button (Extended)
EB	Stop cock button
PH	Push-pull button

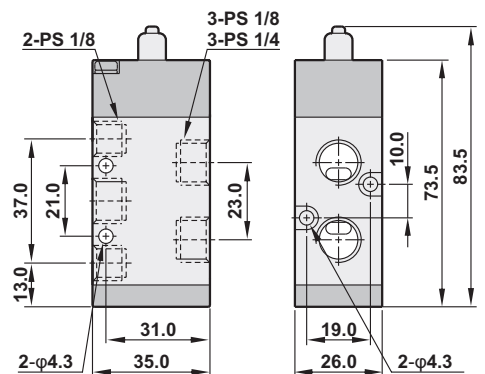
Blank	Standard color
G	Green
B	Black
Y	Yellow

## Specifications

Model	MSV8652-01	MSV8652-02
Port size	1/8"	1/4"
Body material	Aluminum alloy	
Panel dimension	30mm (Option:25mm)	
Fluid	Compressed air	
Sectional area	14mm <sup>2</sup>	18mm <sup>2</sup>
Operating pressure range	0 ~ 9 kgf/cm <sup>2</sup>	
Max. operating pressure	10 kgf/cm <sup>2</sup>	
Ambient temperature	-10°C ~ 60°C	
Standard operator color	Black: TB, LB; Red: PB, PP, PPL, EB	
Optional color	Green, Black, Yellow for PB, PP, PPL	

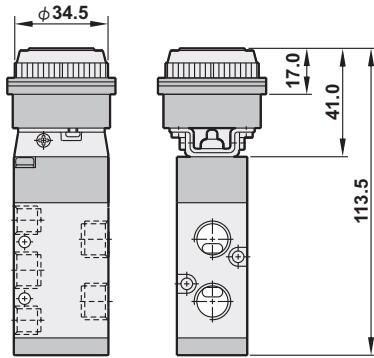
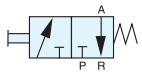
## Dimensions

### MSV8652-01, 02

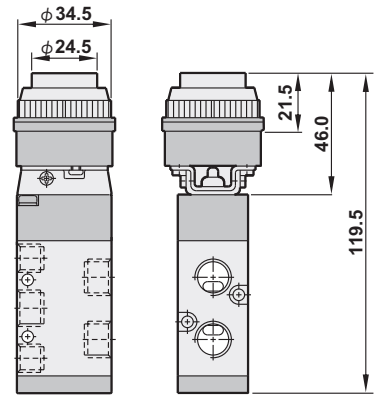
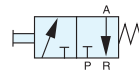


— Dimensions

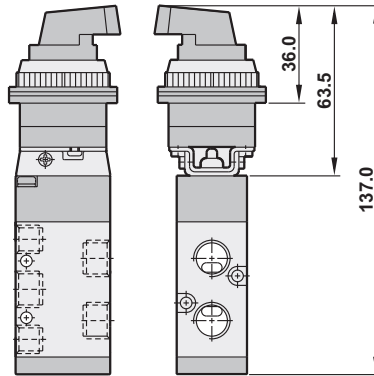
● PP



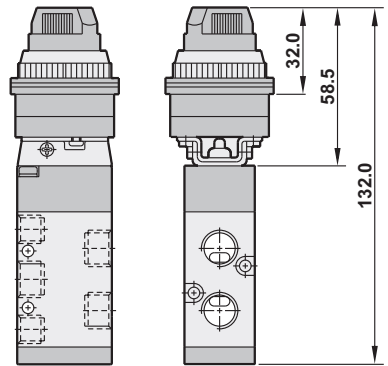
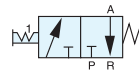
● PPL



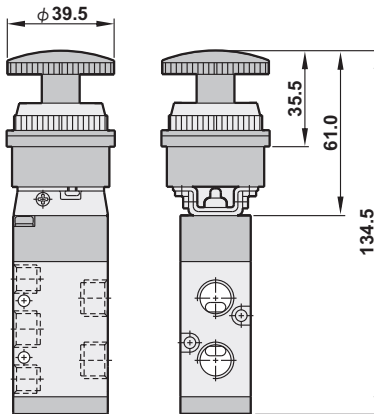
● LB



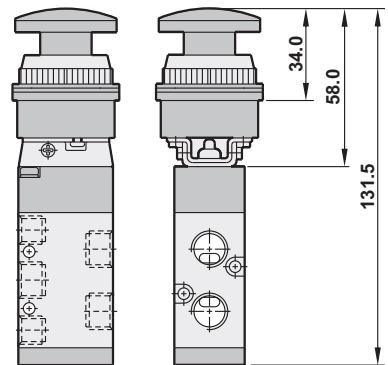
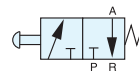
● TB



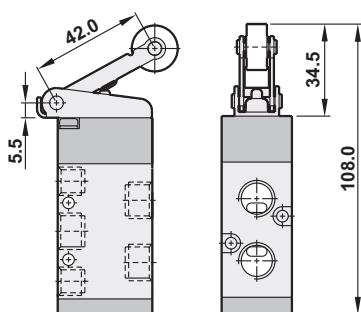
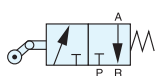
● EB



● PB



● R



● PH

