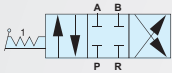
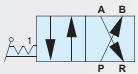


## Symbol

**TSV30043**



**TSV30042**



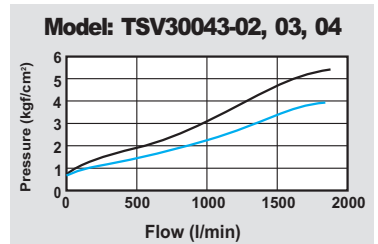
## Features

- \* Simply operating.
- \* Large flow rate.
- \* High safety.
- \* Light weight.
- \* 4 kinds of installation.
- \* Cock design for safety operation.

## How to order

<b>TSV30043</b>		<b>02</b>	<b>N</b>	<b>B</b>
Rotary valves		Port size	Thread	Valve type
<b>TSV30043</b>	4/3 way	<b>02</b> 1/4"	<b>Blank</b> PS	<b>Blank</b> Standard
<b>TSV30042</b>	4/2 way	<b>03</b> 3/8"	<b>N</b> NPT	<b>B</b> Ports on bottom
		<b>04</b> 1/2"		<b>C</b> With cock device
				<b>P</b> With panel mounting

## Flow chart

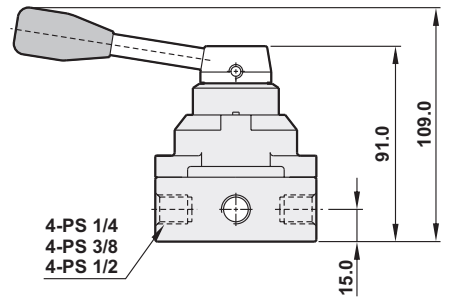
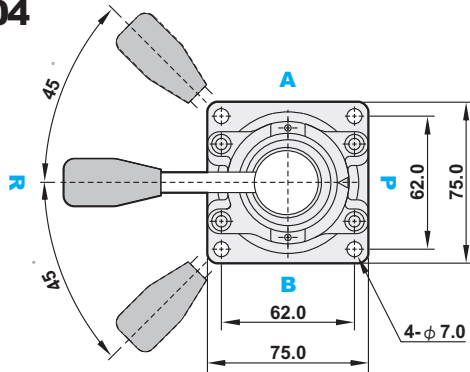


## Specifications

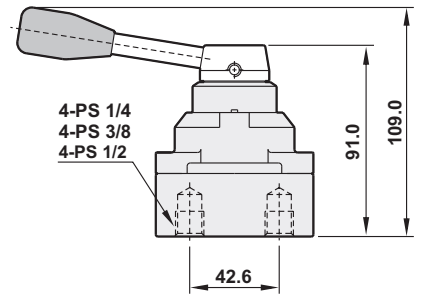
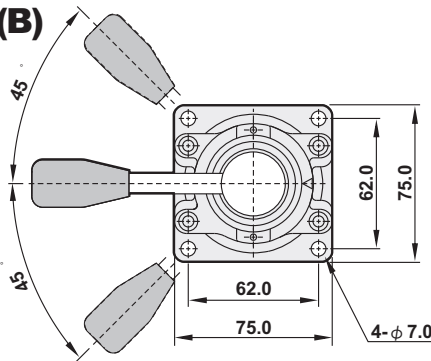
Model	TSV30043(2)-02	TSV30043(2)-03	TSV30043(2)-04
Port size	1/4"	3/8"	1/2"
Body material	Aluminum alloy		
Panel dimension	M40 x P1.5 (For panel mounting only)		
Fluid	Compressed air		
Sectional area	18mm <sup>2</sup>		
Operating pressure range	0 ~ 9 kgf/cm <sup>2</sup>		
Max. operating pressure	10kgf/cm <sup>2</sup>		
Ambient temperature	-10°C ~ 60°C		
Net weight	600g	580g	560g

Dimensions

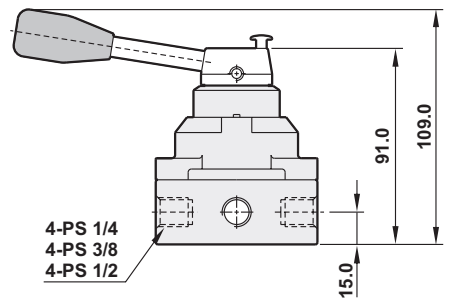
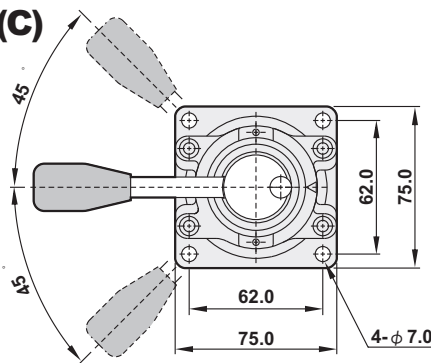
TSV30043-02,03,04



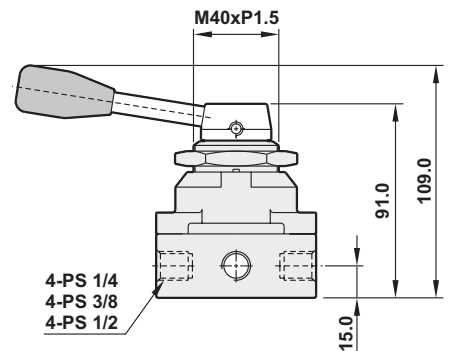
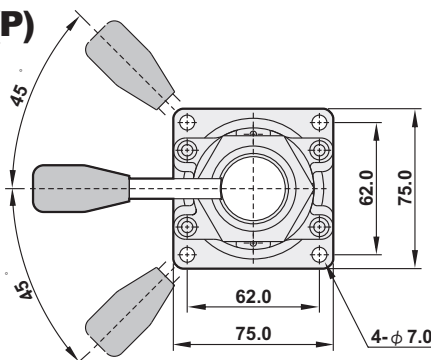
TSV30043-02,03,04(B)



TSV30043-02,03,04(C)



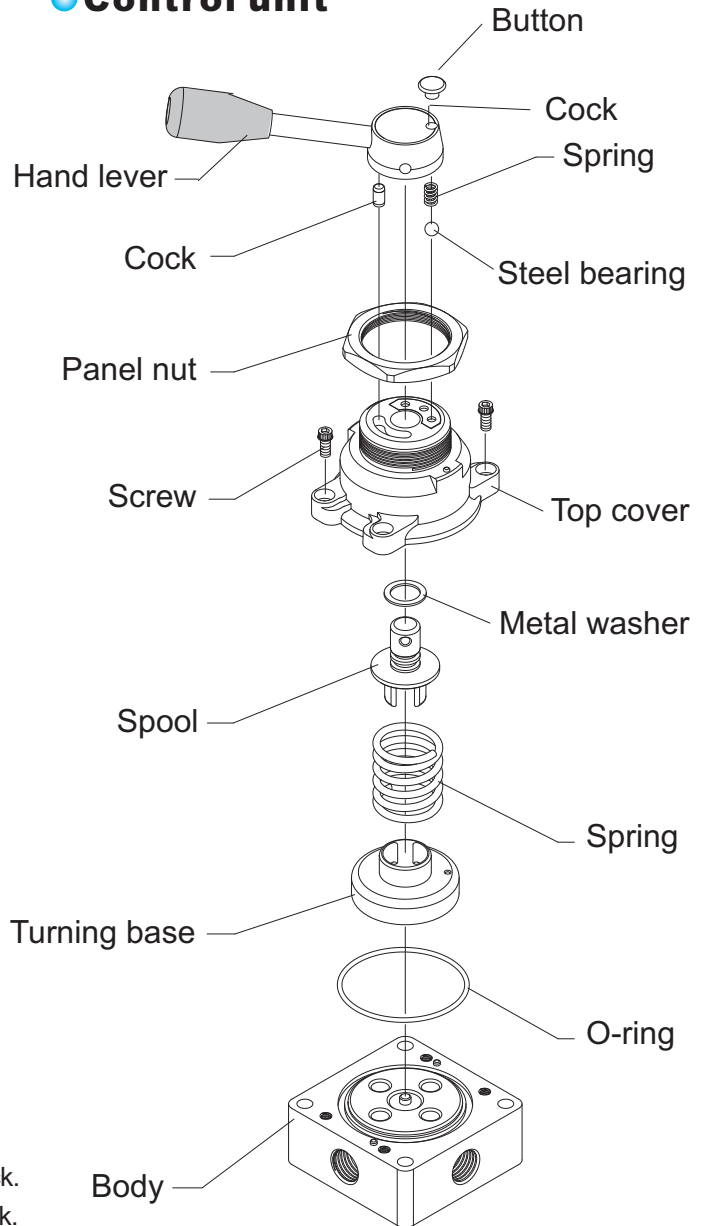
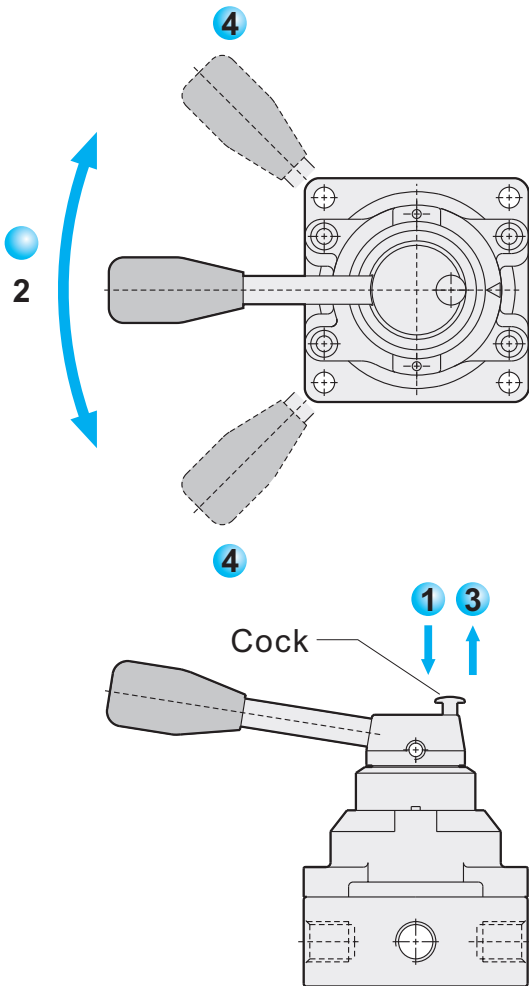
TSV30043-02,03,04(P)



## Explosion

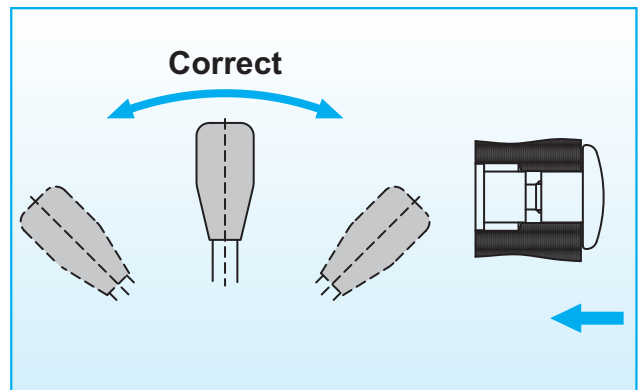
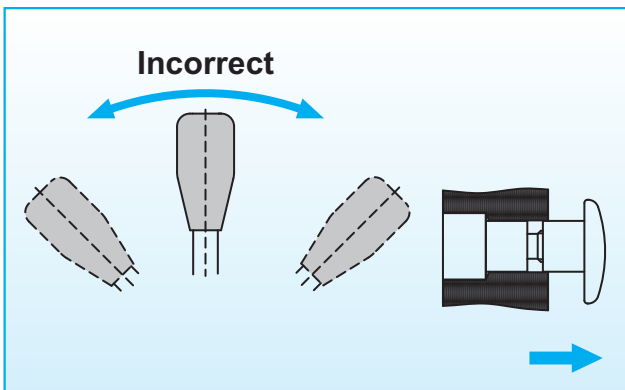
### Operating steps TSV30043 C

### Control unit



### Operating steps

1. Push the cock down.
2. Turn lever to the left or right.
3. Lift your hand to release cock, the cock bound back.
4. Please do not turn lever when the cock bound back.

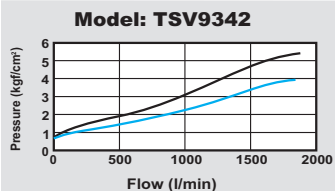


## Features

- \* Simply operating.
- \* Large flow rate.
- \* High safety.
- \* Teflon wear ring and rubber seal offer stable quality and long life.

\* Stainless steel SUS316 body for corrosion resistance

## Flow chart



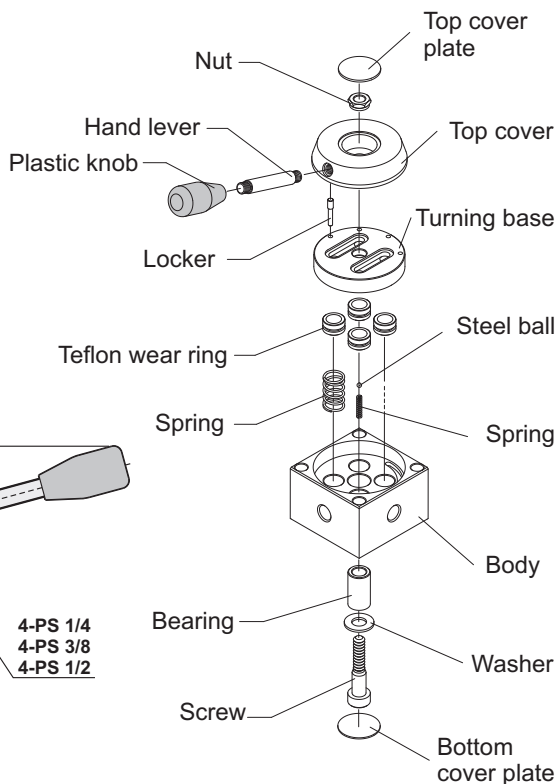
Patent number in Taiwan : 23613  
 Patent number in China : ZL200420019531.72  
 Patent category : Pressure regulating constructions

## How to order

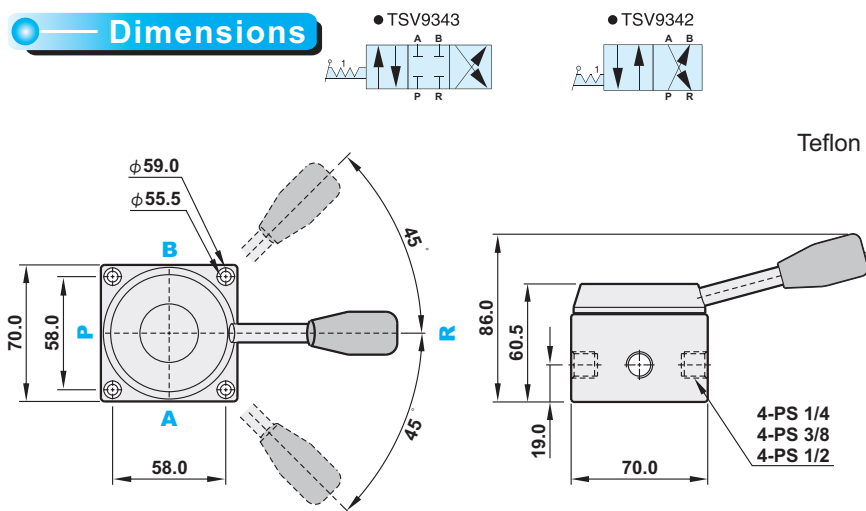
**TSV9342** - **02** **N**

Stainless steel rotary valves		Port size		Thread	
43	4/3 way	02	1/4"	Blank	PS
42	4/2 way	03	3/8"	N	NPT
		04	1/2"		

## Explosion



## Dimensions



## Specifications

Model	TSV9342(43)-02	TSV9342(43)-03	TSV9342(43)-04
Port size	1/4"	3/8"	1/2"
Body material	Satinless steel SUS316		
Fluid	Compressed air		
Sectional area	18mm <sup>2</sup>		
Operating pressure range	0 ~ 9.9 kgf/cm <sup>2</sup>		
Max. operating pressure	10 kgf/cm <sup>2</sup>		
Ambient temperature	-10°C ~ 60°C		
Net weight	1800g		