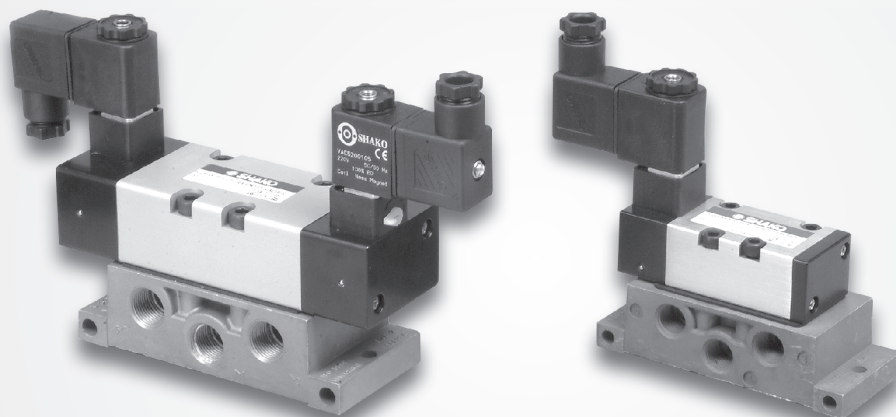


Features

- * ISO 1, ISO 2 solenoid valve.
- * Aluminum alloy body.
- * With single sub base which is identical to ISO 1 & ISO 2 standard.
- * Ex-proof coil is available, please refer to page 7-6.



How to order

PS520	F	02	N	S	2	LED	E
PS520 series	Sub Base	Port size	Thread	Solenoid	Voltage	LED	Coil type
5/2 way	Blank W/O base F W/I base	02 1/4" ISO 1 03 3/8" ISO 2 04 1/2" ISO 2	Blank PS N NPT	S Single solenoid D Double solenoid	1 110VAC 2 220VAC 9 24VDC	Blank (W/O LED)	Blank DIN E Ex-proof

How to order sub base

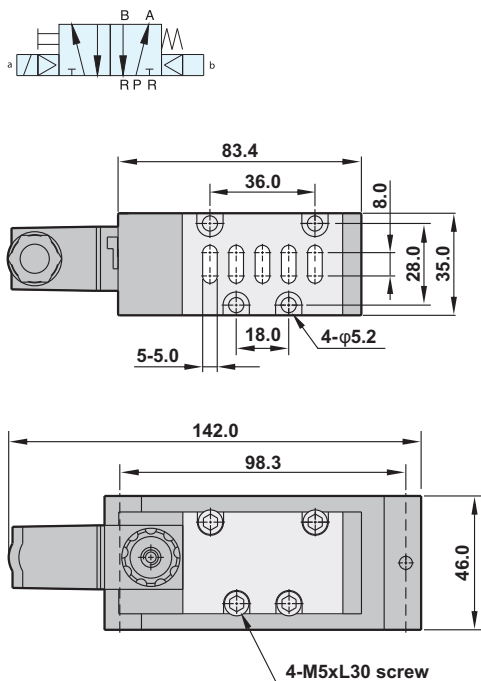
ZESF	02
PS520 series	Port size
02 1/4" ISO 1 03 3/8" ISO 2 04 1/2" ISO 2	

Specifications

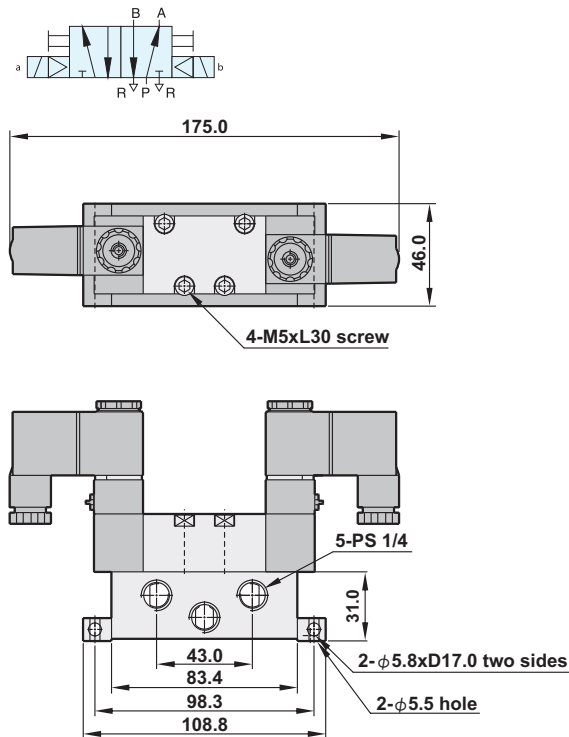
Model	PS520-02-S	PS520-02-D	PS520-03(4)-S	PS520-03(4)-D
Port size	1/4"		3/8" (1/2")	
Sectional area	29mm ²		62mm ²	
Fluid	Compressed air			
Acting	Internal pilot			
Operating pressure range	1.5 ~ 8 kgf/cm ²			
Max. operating pressure	9.99 kgf/cm ²			
Ambient temperature	-10°C ~ 60°C			
Duty cycle	100% ED			
Coil type	DIN			
Protection class	IP65 (DIN 40 050)			
Insulation class	F			
Voltage tolerance	±10%			
Standard voltage	220VAC, 110VAC, 24VDC (The other voltage is optional)			
Net weight (W/I base)	320g (500g)	460g (640g)	700g (980g)	840g (1120g)

Dimensions

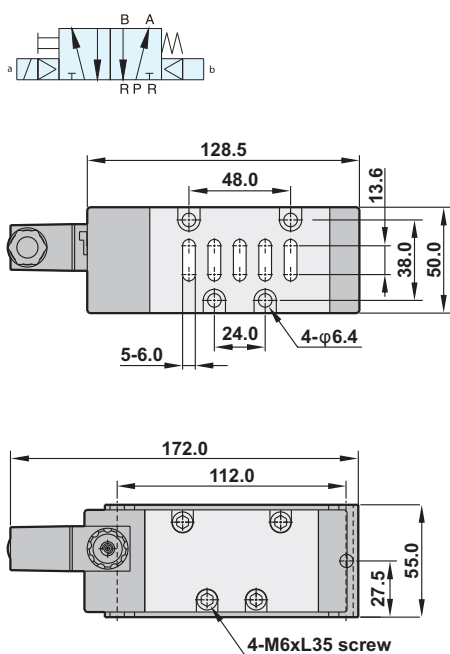
PS520F-02-S



PS520F-02-D



PS520F-03(4)-S



PS520F-03(4)-D

