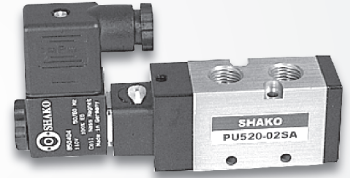
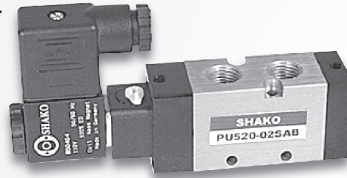


Features

- * Medium size, 26mm width, large flow rate.
- * Lockable manual override for easy operation.
- * Anodized aluminum body and strict quality control provide a long durability.
- * External pilot is available for vacuum equipments.
- * Suitable for manifold part no. MF520-02-XX.
- * Ex-proof coil is available, please refer to page 7-6.



How to order

PU520

A

02

N

S

2

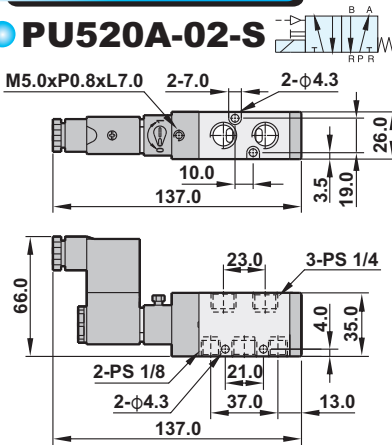
LED

E

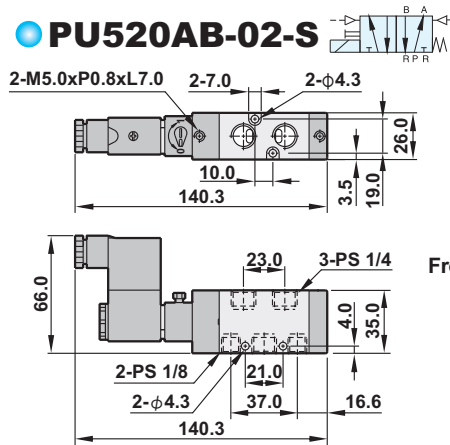
PU 26mm width series	Acting	Port size	Thread	Solenoid	Voltage	LED	Coil type
5/2 way	A Front pilot AB Front & Rear pilot	02 1/4"	Blank PS N NPT	S Single solenoid D Double solenoid	1 110VAC 2 220VAC 9 24VDC	Blank (W/O LED)	Blank DIN E Ex-proof

Dimensions

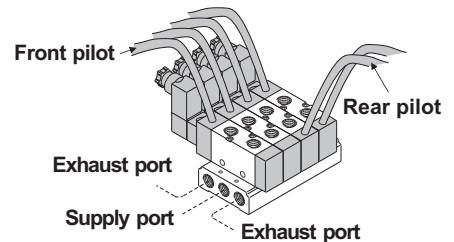
PU520A-02-S



PU520AB-02-S



- 5/2 way external pilot solenoid valve
- Pilot specifications: 1.Front pilot
2.Rear pilot
- Orifice: M5
- Manifold part number: MF520-02-XX
- Inlet pilot at least 1kg higher than external pilot pressure.

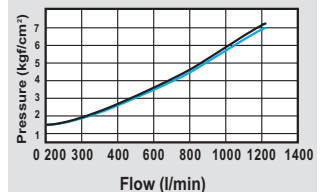


Specifications

Model	PU520A-02-S	PU520AB-02-S
Port size	1/4", Pilot port. (M5)	
Fluid	Compressed air	
Sectional area	18mm ²	
Acting	External pilot (1.5 ~ 8 kgf/cm ²)	
Operating pressure range	0 ~ 8 kgf/cm ²	
Max. operating pressure	9.9 kgf/cm ²	
Ambient temperature	-10°C ~ 50°C	
Duty cycle	100% ED	
Coil type	DIN (Standard)	
Protection class	IP65 (DIN 40 050)	
Insulation class	F	
Voltage tolerance	±10%	
Standard voltage	220VAC, 110VAC, 24VDC(The other voltage is optional)	
Net weight	240g	260g

Flow chart

Model: PU520A-02-S



Model: PU520AB-02-S

