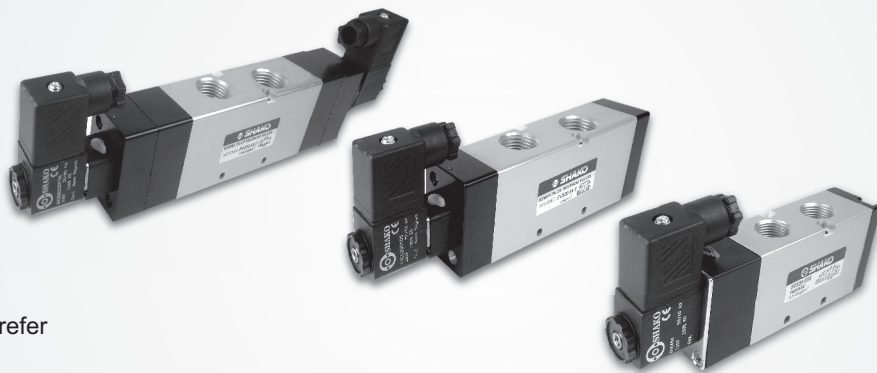


Features

- * Medium size and large flow rate.
- * Lockable manual override for easy operation.
- * Aluminum body with surface anodizing treatment and strict quality control for long durability.
- * Ex-proof coil is available, please refer to page 7-6.



How to order

PU520		X		-		02		N		-		S		2		LED		E	
PU series		Acting style		Port size		Thread		Solenoid		Voltage		LED		Coil type					
52	5/2 way	Blank	Standard	02	1/4"	Blank	PS	S	Single solenoid	1	110VAC	Blank	DIN						
53	5/3 way	5/3 way		03	3/8"	N	NPT	D	Double solenoid	2	220VAC	(W/O LED)	E	Ex-proof					
		X	Exhaust center	04	1/2"			5/3 way valve is only available for Double solenoid		9	24VDC								
		Y	Pressurized center																

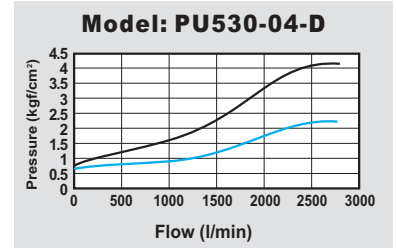
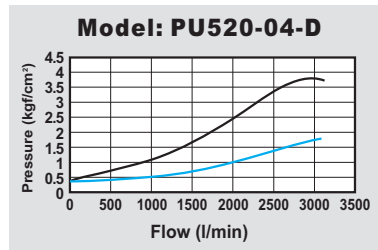
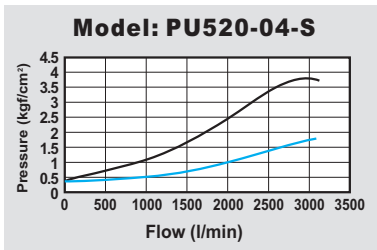
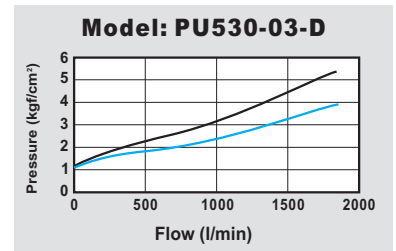
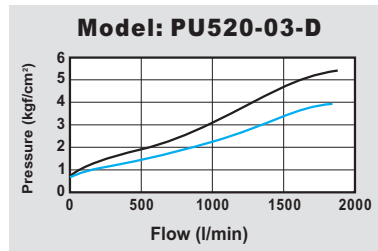
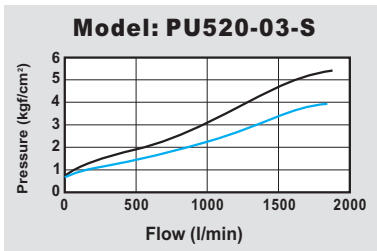
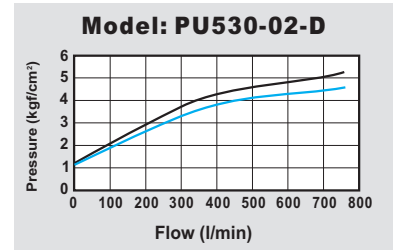
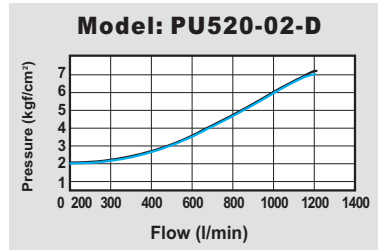
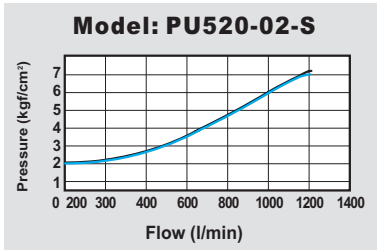
How to order manifold

MF520		-		02		N		-		02	
PU valves series		Port size		Thread		Stations					
		02	1/4"	Blank	PS	02	2 stations				
		03	3/8"	N	NPT	03	3 stations				
		04	1/2"			XX	XX stations				

Specifications

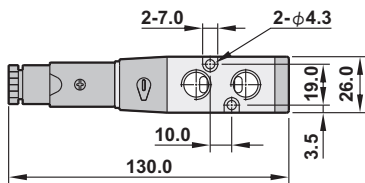
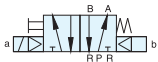
Model	PU520-02-S(D)	PU530-02-D	PU520-03-S(D)	PU530-03-D	PU520-04-S(D)	PU530-04-D
Port size	1/4" , 1/8" (Exhaust ports)		3/8"		1/2"	
Fluid	Compressed air					
Sectional area	18mm ²	14mm ²	35mm ²	32mm ²	70mm ²	54mm ²
Acting	Internal pilot					
Operating pressure range	1.5~8 kgf/cm ²	2~8 kgf/cm ²	1.5~8 kgf/cm ²		2~8 kgf/cm ²	
Max. operating pressure	9.9 kgf/cm ²					
Ambient temperature	-10°C ~ 60°C					
Duty cycle	100% ED					
Coil type	DIN (Standard)					
Protection class	IP65 (DIN 40 050)					
Insulation class	F					
Voltage tolerance	±10%					
Standard voltage	220VAC, 110VAC, 24VDC (The other voltage is optional)					
Net weight	270g / 335g	475g	430g / 525g	715g	665g / 770g	1045g

Flow chart

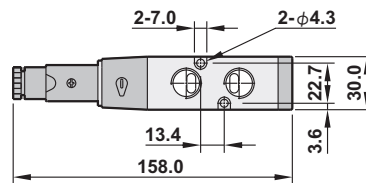


Dimensions

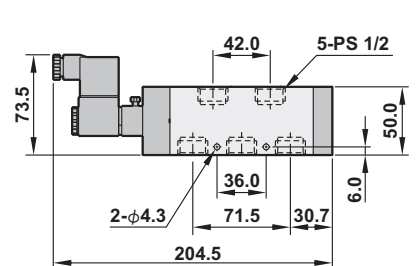
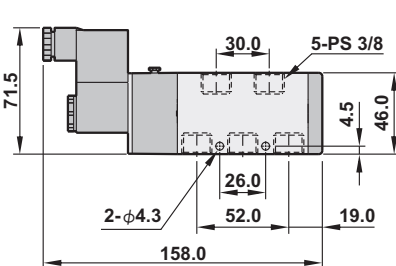
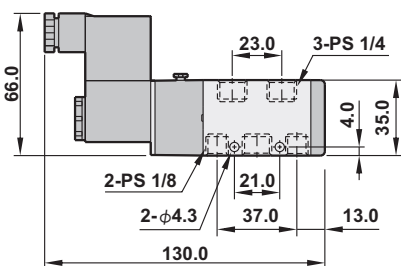
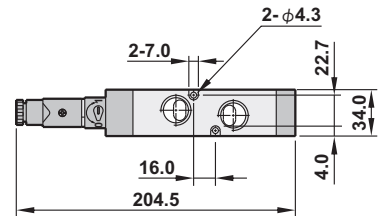
PU520-02-S



PU520-03-S

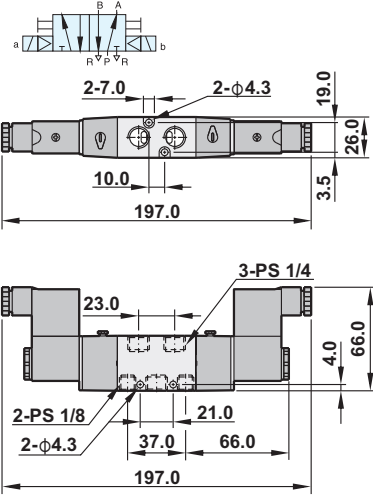


PU520-04-S

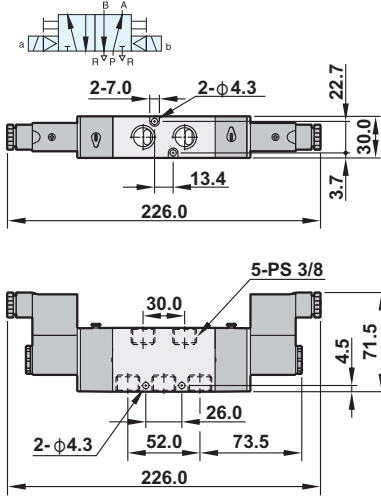


Dimensions

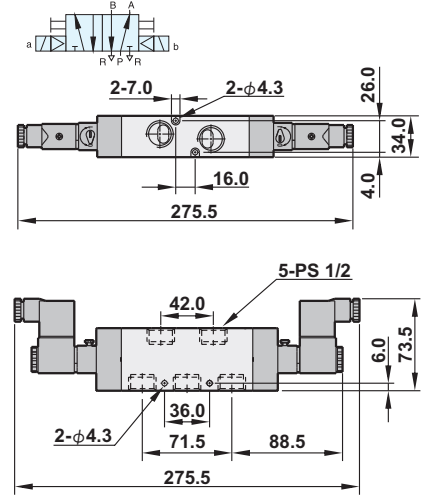
PU520-02-D



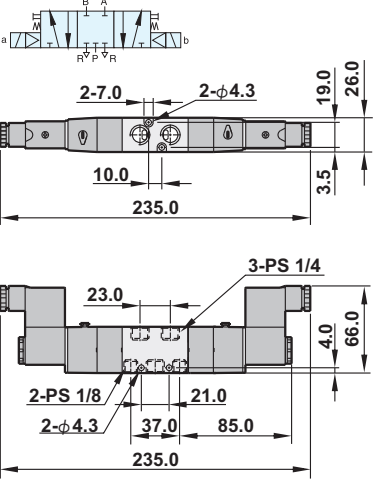
PU520-03-D



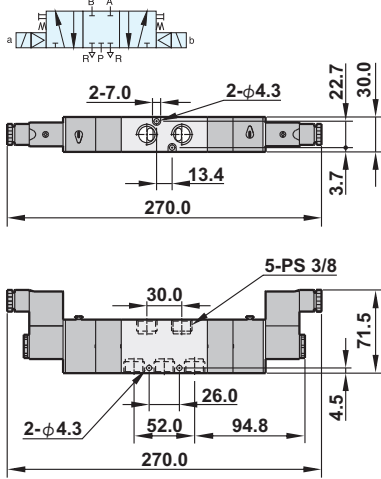
PU520-04-D



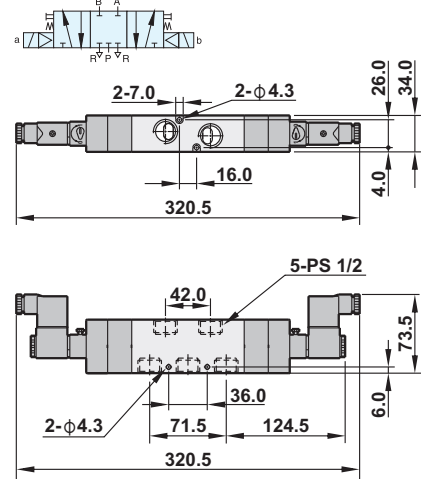
PU530X(Y)-02D



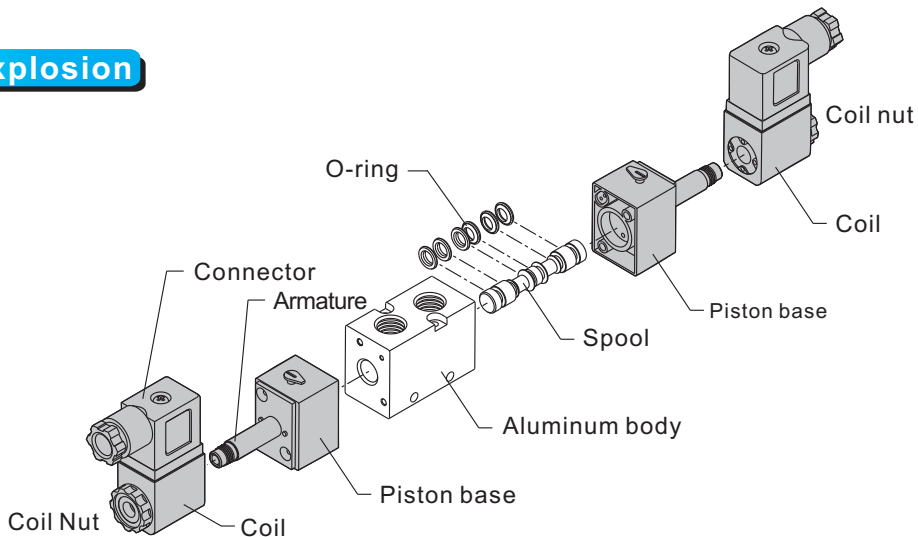
PU530X(Y)-03D



PU530X(Y)-04D

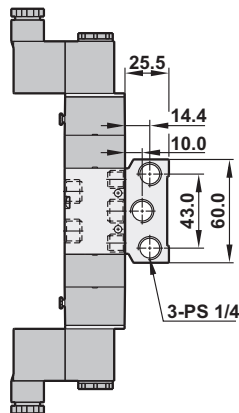
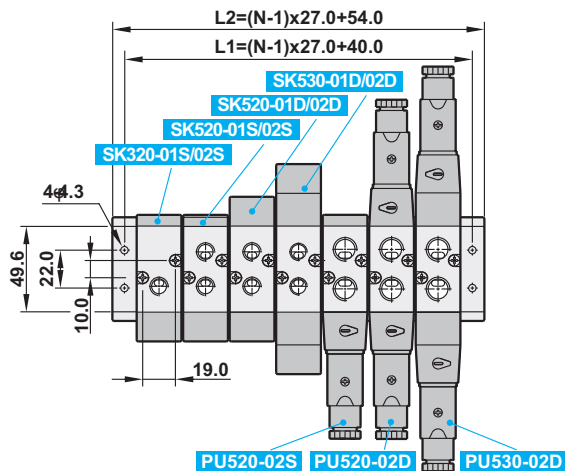


Explosion



Dimensions

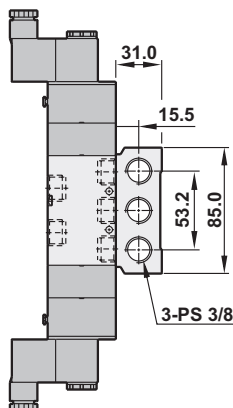
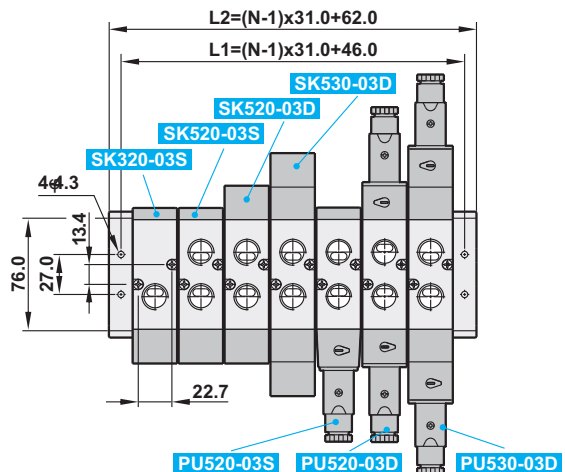
MF520-02-07



Number of station (N)	L1	L2
2	67.0	81.0
3	94.0	108.0
4	121.0	135.0
5	148.0	162.0
6	175.0	189.0
7	202.0	216.0
8	229.0	243.0
9	256.0	270.0
10	283.0	297.0

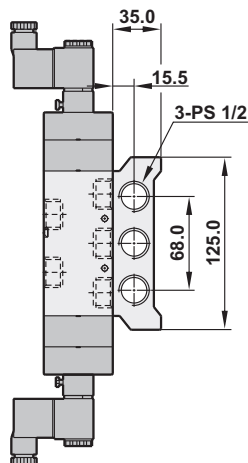
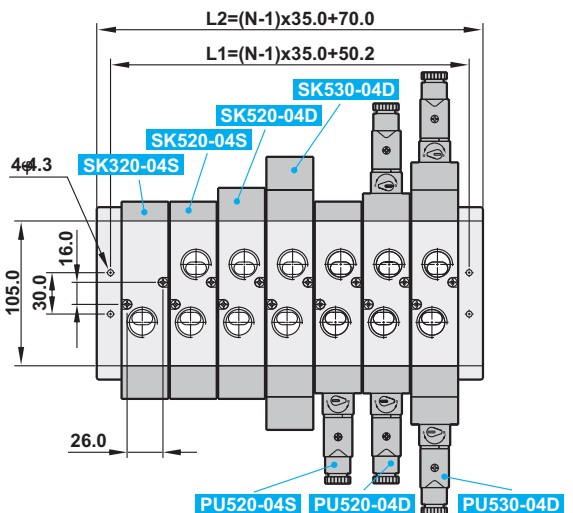
SOLENOID VALVES

MF520-03-07



Number of station (N)	L1	L2
2	77.0	93.0
3	108.0	124.0
4	139.0	155.0
5	170.0	186.0
6	201.0	217.0
7	232.0	248.0
8	263.0	279.0
9	294.0	310.0
10	325.0	341.0

MF520-04-07



Number of station (N)	L1	L2
2	85.2	105.0
3	120.2	140.0
4	155.2	175.0
5	190.2	210.0
6	225.2	245.0
7	260.2	280.0
8	295.2	315.0
9	330.2	350.0
10	365.2	385.0